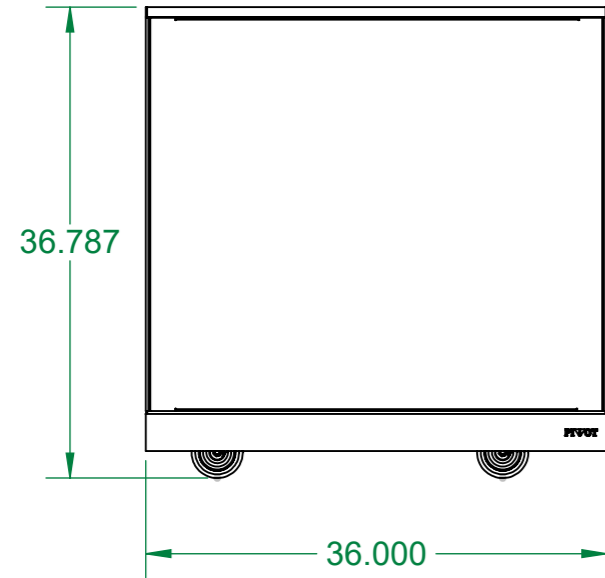




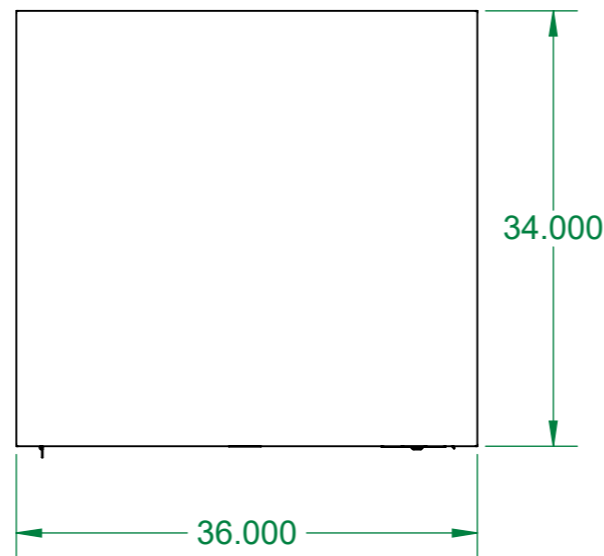
851 Hickory Flat Hwy
 Canton, GA 30115
 (404) 671-9325
 www.PivotCorp.com

PROPRIETARY AND CONFIDENTIAL
 THE INFORMATION CONTAINED IN THIS DRAWING IS THE SOLE PROPERTY OF PIVOT LLC. ANY REPRODUCTION IN PART OR AS A WHOLE WITHOUT THE WRITTEN PERMISSION OF PIVOT LLC IS PROHIBITED. PIVOT LLC RESERVES THE RIGHT TO MAKE CHANGES IN DESIGN AND SPECIFICATION WITHOUT NOTICE.

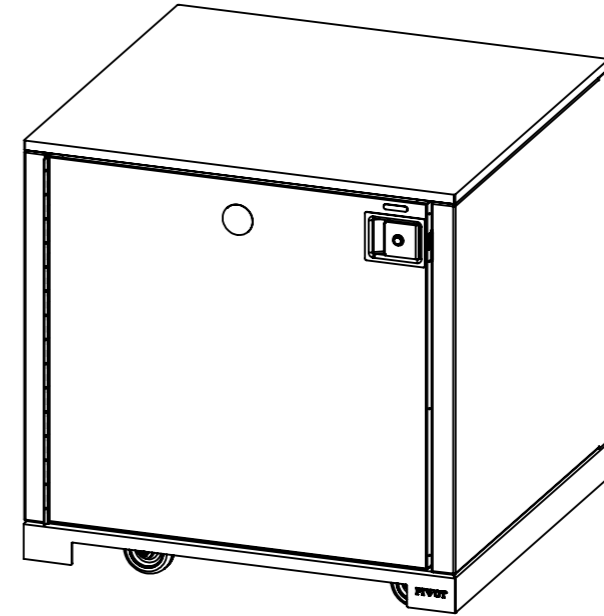
REAR VIEW



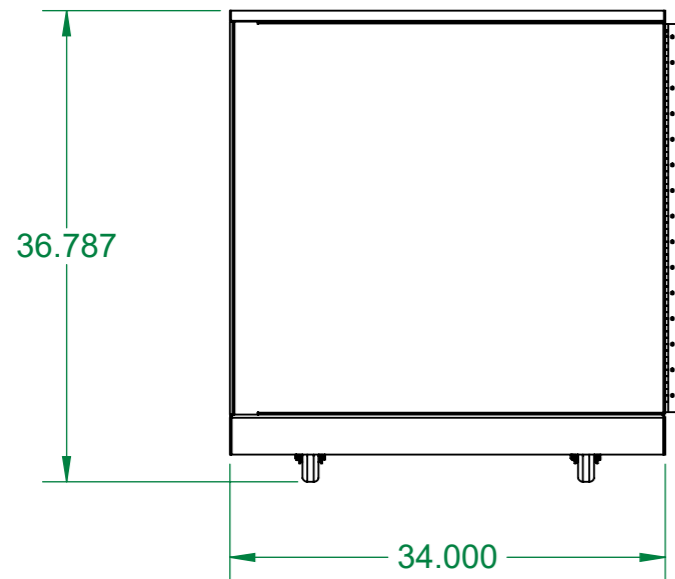
TOP VIEW



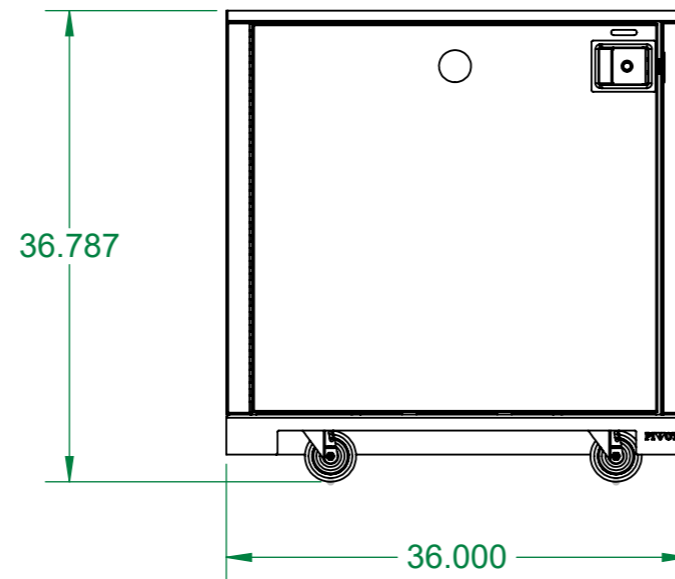
DIMETRIC VIEW



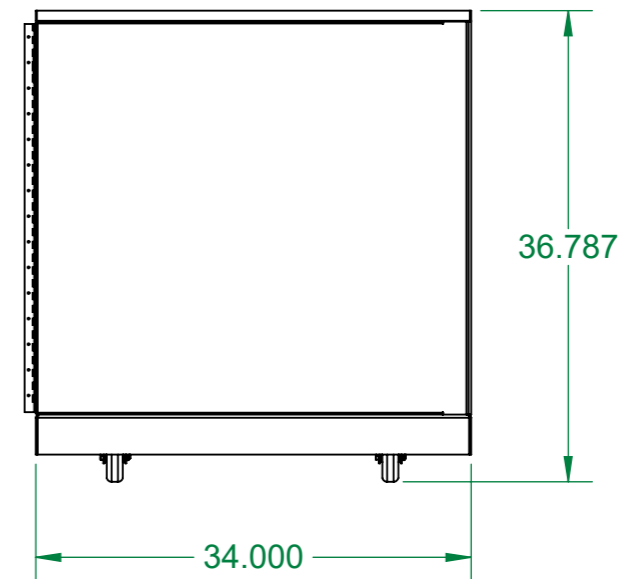
LEFT VIEW



FRONT VIEW



RIGHT VIEW



SHOP DRAWINGS

PROJECT NAME: Cart Cafe

PART DESC.: Starbucks Cart Cafe - Side Cart - Water Filtration

DRAWING TYPE:

CUSTOMER: Starbucks

PART NO.: PVC10-SBUX-CAFE-SCF1

FILENAME: PVC10-SBUX-CAFE-SCF1 CLR

PREPARED BY: rlee

Date: 1/4/2023

DWG. NO.
SCF1

SIZE	REV	DATE LAST MODIFIED
A3	148	1/4/2023

SCALE: 1:15 **SHEET** 1 of 1