



Turning the Ordinary into the Extraordinary

www.PivotCorp.com



PVC10-SBUX-CAFE-SCB1

**Starbucks® Cart Series
Brew/Filtration Side Cart**

Version 1.0

Product Guide

January 1, 2023



Table of Contents

Cart Overview	5
Cart Construction.....	6
UL Certification.....	7
Specifications	8
Front View.....	8
Rear View	8
Left View.....	9
Right View.....	9
Top View	9
Equipment Plan	10
Summary Guide for Equipment.....	11
Material Finishes	12
Powder Coat	12
Countertops.....	12
Cart Utilities	13
Electrical.....	13
Water Supply	17
Sanitary.....	21
Pre-Requisites & Site Preparation	22
Shipping.....	23
Installation	24
LIMITED WARRANTY.....	25
APPLICABLE WARRANTY PERIOD	25
TERMINATION OF WARRANTY	25
OBTAINING WARRANTY SERVICE	25
EXCLUSIONS	26
EXCLUSIVE REMEDY; CONSEQUENTIAL DAMAGES DISCLAIMER	27
NO AUTHORIZATION	27
WARRANTY DISCLAIMER	27
STATUTE OF LIMITATIONS	28
DISPUTE RESOLUTION AND LIMITATION OF LITIGATION	28
MISCELLANEOUS	29
APPENDIX A	31



APPENDIX B	33
SquareD Load Center QO312L125G	35
SquareD Circuit Breaker QO115.....	39
SquareD Circuit Breaker QO230.....	42
Leviton CR20-W Receptacle.....	45
Levlok GFCI MGFN2-W Receptacle	47
Hubbell HBL2810	49
Hubbell HBL2811	50
Hubbell HBL2813	51
APPENDIX C.....	53
Pentair RO System	55
Pentair Triple Head.....	57
Pentair Pre-Filter	59
APPENDIX D	61
BUNN Digital Brewer.....	63
BUNN Soft Heat Server	65
BUNN Soft Heat Server Stand.....	67
Ditting Grinder (Model KR 1203).....	69
APPENDIX E.....	71
Powder Coat	73

PROPRIETARY AND CONFIDENTIAL INFORMATION. 2023 PIVOT LLC. All rights reserved. Other company and product names mentioned herein are property of their respective owners. The contents of this publication are subject to change without notification and are the property of and cannot be reproduced without the written permission of PIVOT LLC. The contents of this publication are not a commitment by PIVOT LLC to provide the products and services described.



Cart Overview

The PVC10-SBUX-CAFE-SCB1 Cart manufactured by PIVOT measures approximately 34 inches wide by 36 inches in length by 51 inches in height.



This PVC10-SBUX-CAFE-SCB1 is designed to be a Side Line Cart complimenting additional Carts to form the Standard Plus Starbucks® Pop Up Store.

This Brew/Filtration Cart is packed with features.

- Supports BUNN Digital Single Brewer
- Supports Ditting Grinder
- Supports BUNN Single Server
- Complete Pentair Water Filtration System for Config I or Config III
- 304-Stainless Steel Countertop with Marine Edge
- Integrated Powder coated Steel Shroud
- Complete electrical system with Load Center
- Complete plumbing system with bypass
- Premium powder coated metal construction
- UL Listed – US & Canada
- A Turnkey *plug 'n play* solution



Cart Construction

The PVC10-SBUX-CAFE-SCB1 Cart is manufactured with a base construction of Steel, Aluminum and Stainless Steel. This is in comparison to many other Carts that are constructed of wood, steel frame or plastic.

PIVOT's base construction provides an optimal platform for durability, functionality, portability and product life. These materials also provide this Cart with a CLASS A Flame Spread rating and is perfect for all environments.



Another huge advantage of the PIVOT Cart base construction is that **100%** of the **WASTE** when manufacturing this Cart is **100% RECYCLABLE**. After a long product life cycle, this Cart can also be refurbished and re-deployed to enjoy another complete life cycle, saving our natural resources and your hard-earned dollars. When it eventually comes time to retire, 100% of the structure of this Cart can be recycled to offer great sustainability of our natural resources.

All steel and aluminum components are powder coated satin black for beauty and ease of maintenance. This type of base construction provides the best platform for durability, long lasting functionality and cleanliness in the wet, harsh and high-volume environment of a Starbucks® store.

304-Stainless Steel countertops with marine edge provides a durable and optimal work surface.

All PIVOT Carts come with premium, non-marking, industrial wheels designed to easily support the weight of the Cart as well as provide many years of maintenance free service. These wheels are affixed onto PIVOT's base structure comprised of 11-gauge steel to provide uncompromising performance in high volume commercial environments.

These Carts come pre-installed with all Utilities and undercounter equipment from the factory for a turn-key store package.



UL Certification

The PVC10-SBUX-CAFE-SCB1 Cart is UL Listed in both the United States and Canada.



You can find our listing on the UL Directory under our file number KNNS.E475132 for the United States and KNNS7.E475132 for Canada, or by following these links (or copy and paste them into your favorite internet browser).

UNITED STATES

http://database.ul.com/cgi-bin/XYV/template/LISEXT/1FRAME/showpage.html?name=KNNS.E475132&ccnshorttitle=Custom-built+Food+Service+Equipment&objid=1084945455&cfgid=1073741824&version=versionless&parent_id=1073989156&sequence=1

CANADA

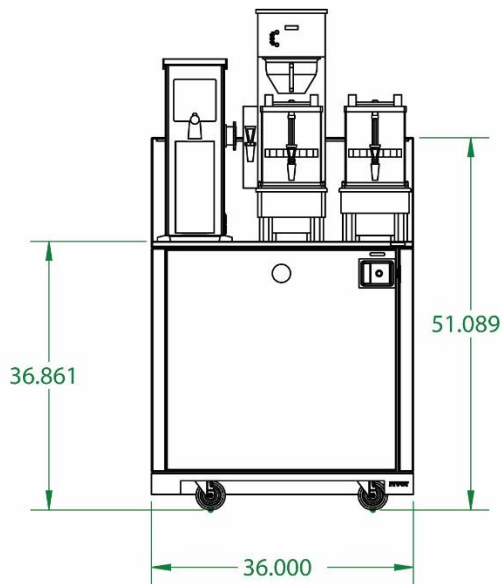
http://database.ul.com/cgi-bin/XYV/template/LISEXT/1FRAME/showpage.html?name=KNNS7.E475132&ccnshorttitle=Custom-built+Food+Service+Equipment+Certified+for+Canada&objid=1084945460&cfgid=1073741824&version=versionless&parent_id=1073989158&sequence=1



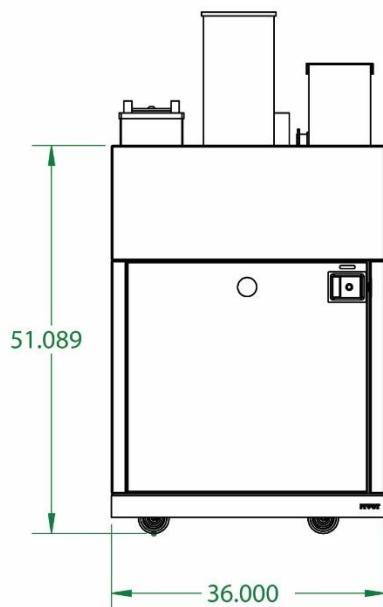
Specifications

The PVC10-SBUX-CAFE-CMC1 Cart measures approximately 34 inches wide by 36 inches in length by 51 inches in height. Exact dimensions are shown below.

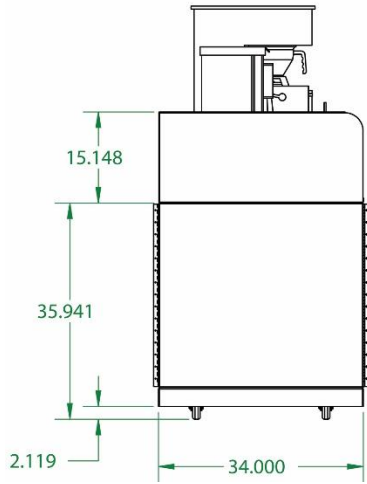
Front View



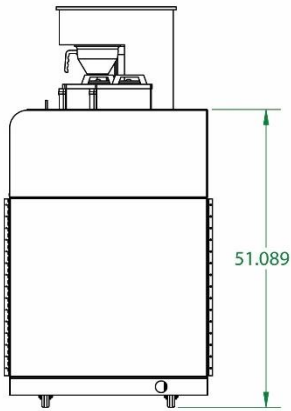
Rear View



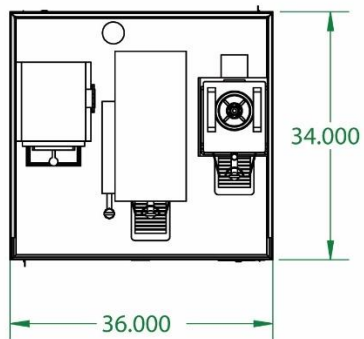
Left View



Right View



Top View

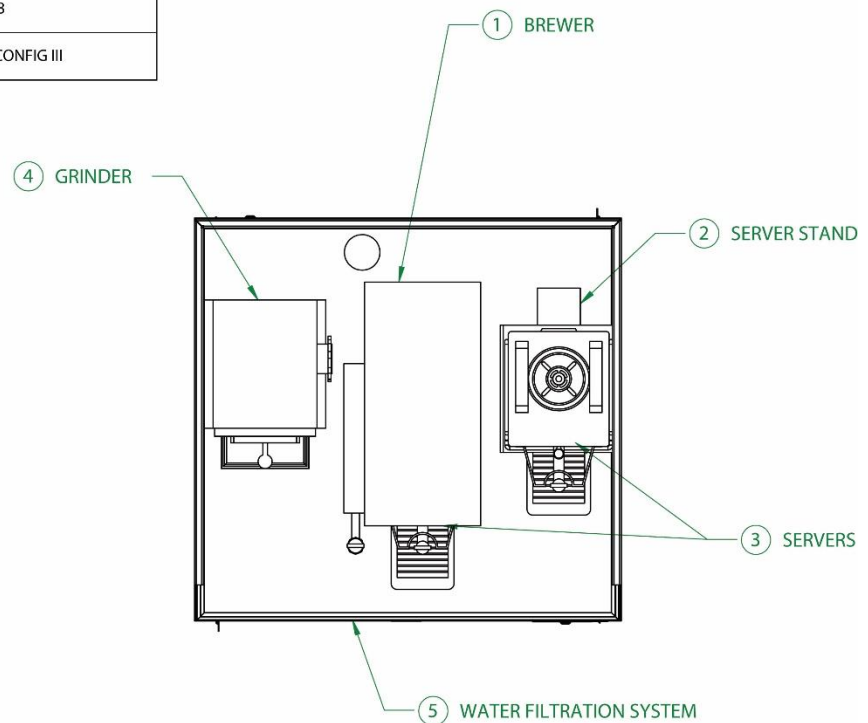


Equipment Plan

The PVC10-SBUX-CAFE-SCB1 Cart is complimented with the best commercial equipment as required by Starbucks®. This equipment includes:

- BUNN Digital Single Brewer
- BUNN Single Server Stand
- BUNN Servers (QTY 2)
- Ditting Grinder
- Pentair Water Filtration System (Config III)

EQUIPMENT PLAN	
①	Brewer - BUNN - Digital Single Brewer
②	Server Stand - BUNN - SBUX DID# 10312
③	Servers - BUNN - SBUX DID# 10856 - QTY 2
④	Grinder - Ditting - SBUX DID# 10808
⑤	Water Filtration System - Pentair - CONFIG III



Please note that all built in equipment cutsheets are located in Appendix A (Equipment Cutsheets), plumbing fixtures cutsheets are located in Appendix C and equipment package cutsheets are located in Appendix D (All Other Equipment Cutsheets).



Summary Guide for Equipment

Outlined below is a Summary Guide for all equipment for the PVC10-SBUX-CAFE-SCB1 Cart.

Please note the following:

- Included in Cart – This equipment comes included and installed in the PIVOT Cart.
- Included in Equipment Package – This equipment is required by the Starbucks® Cart and can be purchased in the Equipment Package through PIVOT.
- Starbucks® – This equipment must be purchased separately and is not included in either the Cart or the Equipment Package Price. This must be purchases and provided directly by Starbucks®.

Equipment	Category	DID#	Included in Cart	Included in Equip. Pkg.	Starbucks®
Pentair Water Filtration	Filtration	PIVOT	✓		
Brewer	Brew	PIVOT		✓	
Server Stand	Brew	10312		✓	
Servers	Brew	10856		✓	
Grinder	Brew	10808		✓	

Note: ☉ Customer must order this directly from Starbucks®. Please note that any equipment or option not explicitly listed above is not included with the Cart or Equipment Package.



Material Finishes

The PVC10-SBUX-CAFE-SCB1 Cart incorporates the best material finishes in the industry to provide many years of beauty and performance. PIVOT Carts are well known for its low cost of maintenance and durability.

Powder Coat

PIVOT powder coats all metal surfaces to ensure a lasting and quality finish. Power coat is extremely durable, as well as washable, making it the perfect finish for high volume concession environments.

This Cart is powder coated with a high quality “Series 38-Super Durable” exterior grade satin finish. This powder coat is manufactured by Tiger Drylac.

Please find detailed Product Specifications in Appendix E (Material Finishes Documentation) of this Product Guide.

Countertops

This Cart comes standard with a 304-Stainless Steel Countertop with Marine Edge. This countertop is manufactured by PIVOT.

This countertop provides the ideal work surface for sanitary food/beverage preparation providing both strength and durability.



Cart Utilities

The PVC10-SBUX-CAFE-SCB1 Cart comes with utilities pre-installed at the factory. These utilities include: Electric, Water Supply and Sanitary.



The Utility Compartment (shown above) is in the Rear of the Cart. A locking door gives access to the Load Center and the Receptacles.

Electrical

The Starbucks® Warming Side Cart is outfitted with a SquareD load center Model # QO312L125G (See attached cut sheet in Appendix B). This load center is rated for 120/208V (up to 240V) 125AMP 3 PH.



SquareD QO115 and QO230 circuit breakers are used for all 120V 15AMP and 208V 30AMP circuits respectively (See attached cut sheets in Appendix B). Please note that these load center circuit breakers are not GFCI circuit breakers. GFCI receptacles are used in lieu of GFCI circuit breakers as a standard.



Electrical wiring for all circuits utilize appropriately sized MC Cable. All receptacle boxes are single or double gang metal boxes commonly referred to as J Boxes. Receptacles for non-GFCI applications utilize the Leviton CR20-W (see attached cut sheet in Appendix B) for all 120V 15AMP and 120V 20AMP circuits. PIVOT utilizes 20AMP receptacles and 12-gauge wiring (for 20 AMP) for our 15AMP receptacles so that any receptacle and circuit can be easily upgraded from 15AMP to 20AMP by simply upgrading the circuit breaker in the load center.



Levlok GFCI MGFN2-W (see attached cut sheet in Appendix B) receptacles are used for all 120V 15AMP and 120V 20AMP GFCI applications. As above, PIVOT utilizes 20AMP receptacles and 12-gauge wiring (for 20 AMP) for our 15AMP receptacles so that any receptacle and circuit can be easily upgraded from 15AMP to 20AMP by simply upgrading the circuit breaker in the load center.



A 10 Gauge/5 Wire (4G) SOOW power cord is used to supply power to the Cart's load center terminated by a Hubbell HBL2811 30AMP Male AC Connector. This connector is pre-installed on the Cart at PIVOT's factory. PIVOT provides approximately 10 feet of whip for this SOOW cord (from the outside of the Cart). If additional length is needed, an extension whip can be made utilizing 10 gauge SOOW wire (5WR) with the male Hubbell plug (HBL2811) on one end and a female Hubbell plug (HBL 2813) on the other end. Please consult your local codes department to meet your local jurisdictional electrical requirements.



At the desired service location, the customer is responsible for providing and installing the appropriate receptacle for this Cart to plug into. The matching receptacle for the above male Hubbell connector is the Hubbell HBL2810 60AMP Female AC Receptacle shown to the left.

Product cutsheets for all electrical devices are provided in Appendix B of this Product Guide.

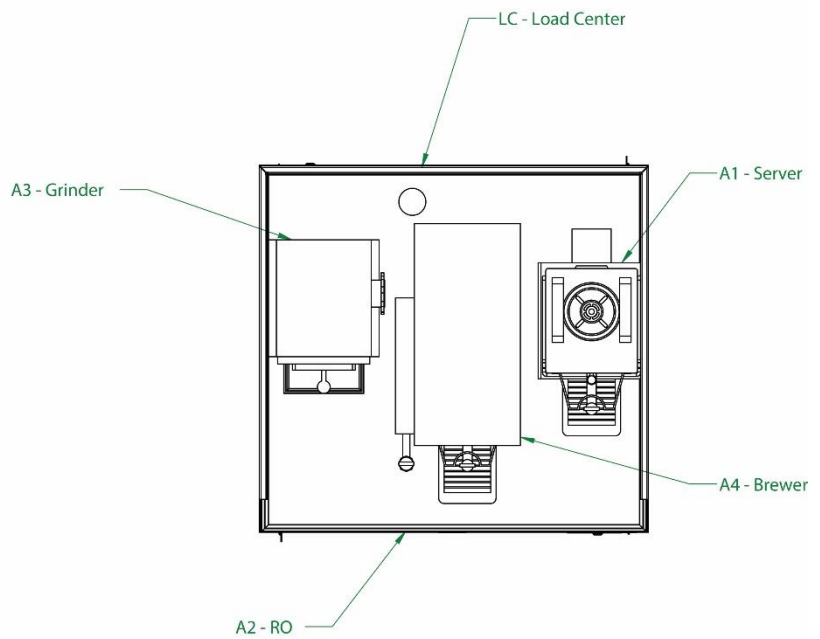


Please note that it is the customer's responsibility to meet local jurisdictional codes and to have the proper receiving receptacle/connector installed by a licensed electrician prior to the installation of the Cart. Changes to this standard setup must be communicated and agreed prior to ordering the Cart from PIVOT. PIVOT takes no responsibility for meeting local jurisdictional code requirements.




Electrical Plan

ELECTRICAL PLAN	
LC	Load Center - SquareD - Model # QO312L125G 125AMP 12SP - 120/208V 3PH 5WR 30AMP 4AWG SOOW
A1	Server - 15AMP - MC 12AWG 2G - REC (STD Duplex)
A2	RO - 15AMP - MC 12AWG 2G - REC (STD Duplex)
A3	Grinder - 15AMP - MC 12AWG 2G - REC (STD Duplex)
A4	BUNN Digital Brewer - 30AMP - MC 10AWG 3G - REC (L14-30R)



Load Schedule

The load schedule for the PVC10-SBUX-CAFE-SCB1 Cart is shown below.

Load Schedule										
			Project:	PVC10-SBUX-CAFE-SCB1			Main Breaker AMPs:	3-POLE - 30 AMP		
			Panel:	Brew/WF Side Cart			Line Voltage:	120/208V 3PH 5 WR SOOW		
Load Name	Load AMPs	Breaker AMPs	CHK #	A Phase WATTS	B Phase WATTS	C Phase WATTS	CHK #	Breaker AMPs	Load AMPs	Load Name
A1 Server	2	15	1	250				15	0.5	A2 RO
				50			2			
A3 Grinder	6	15	3		600			30	19.7	A4 Brewer
					2050		4			
			5							
						2050	6			
			7							
							8			
			9							
							10			
			11							
							12			
Total Watts Per Phase				300	2650	2050				
Estimated Amperage					13.89					

The peak load of the Cart is estimated at 13.89AMP at 3 Phase 120/208V. This Cart is rated at 20AMP. PIVOT has configured this Cart for 120/208V 30AMP 3PH 4G 5WR.



Water Supply



This Cart comes equipped with a complete Config III Pentair Water Filtration System to supply Filtered Water to the Starbucks Pop Up Store. This Water Filtration System includes:

- Pentair Pre-filter
- Pentair Triple Head Filter
- Pentair RO System

PIVOT has pre-plumbed this Cart at the Factory to include a Bypass system offering a true *turn-key* solution. Simply provide Hard Water to the water inlet of the Bypass Manifold and this Cart will do the rest. This system is designed to accept a Fresh Water Supply Hose as standard for the Starbucks Pop Up Store. Adapters can be used to hard pipe this manifold if so desired (adapters not provided by PIVOT).

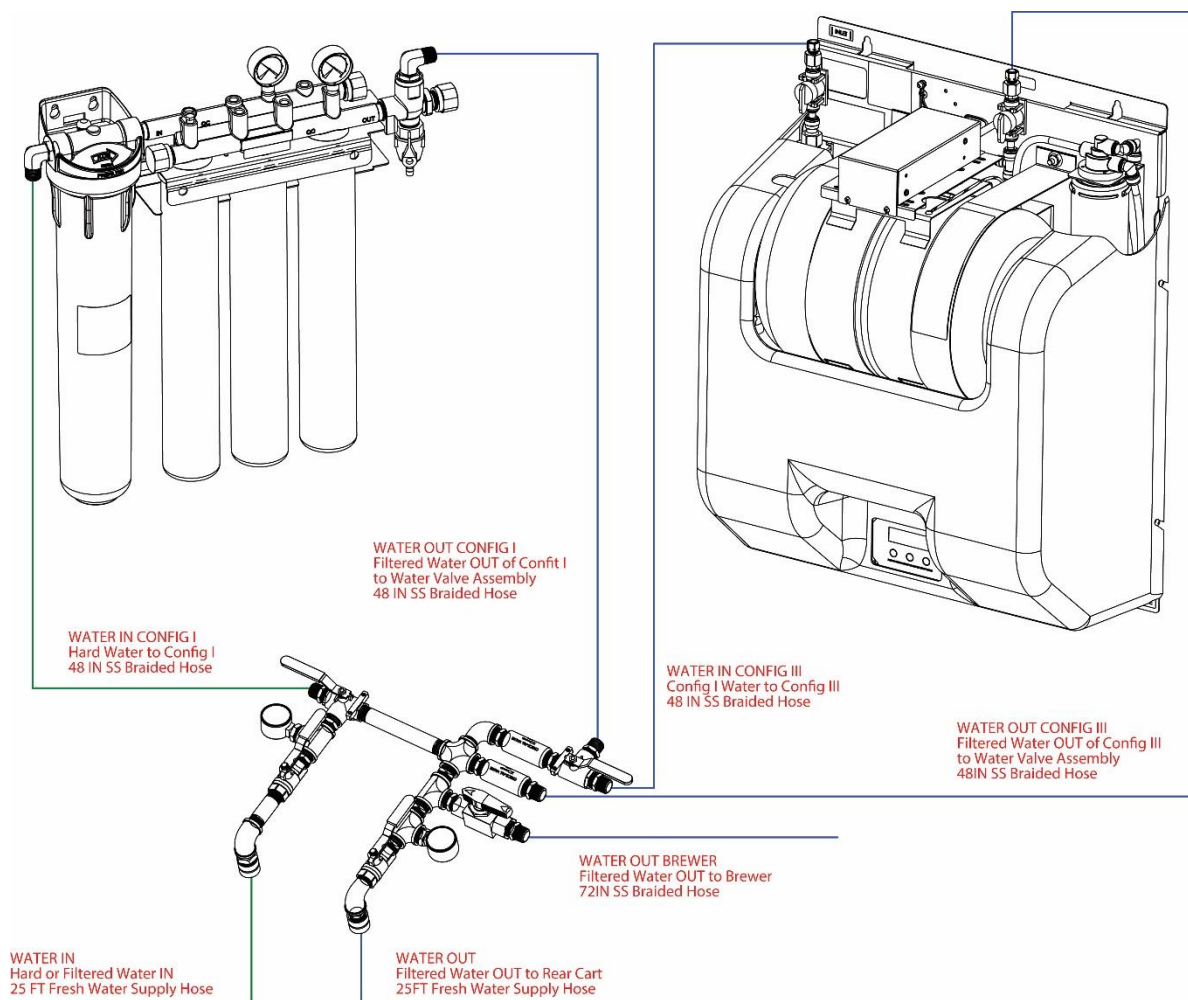
The output of this Bypass Manifold is also designed to accept a Fresh Water Supply Hose as standard. Same would apply as above if hard pipe is desired.

As Carts offer a great portable and temporary store platform, PIVOT recommends the installation of a Hose



Bibb (rated for potable water – lead free) as the water source to supply this Cart and the Store and a fresh water supply hose as the delivery mechanism for supplying water from the hose bibb to the Cart. Utilizing this technique can have the additional advantage of simplified permitting as the Carts would be viewed as a “large piece of equipment” that is UL Listed instead of a Store build.

Plumbing Plan



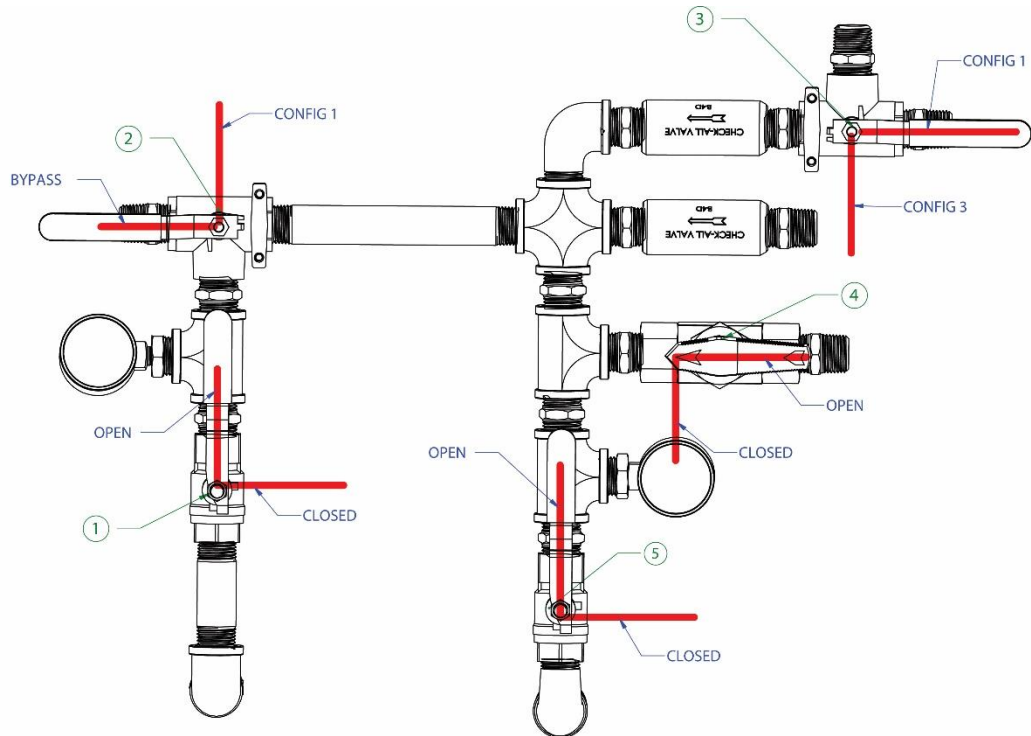
This Cart can be configured to deliver water in 3 ways:

- **Full Bypass** – Bypass the Water Filtration entirely by configuring the valves in full bypass mode. Hard water supplied in with deliver hard water supplied out. This mode is ideal if you are maintaining your water filtration system but would still like to keep your Store open as a temporary solution.
- **Config I** – Configure your bypass system to a Config I if you do not require an RO System (i.e. Config III). Your Starbucks water test will determine if you need a Config I or a Config III water filtration system.



- **Config III** – Configure your bypass system to a Config III to utilize the full water filtration system of this Cart. As with the Config I above, your Starbucks water test will determine if you require a Config III water filtration system.

Please find the diagram below documenting each valve position for each of the modes above. Additionally, this Cart can be shut off entirely by closing the first valve.

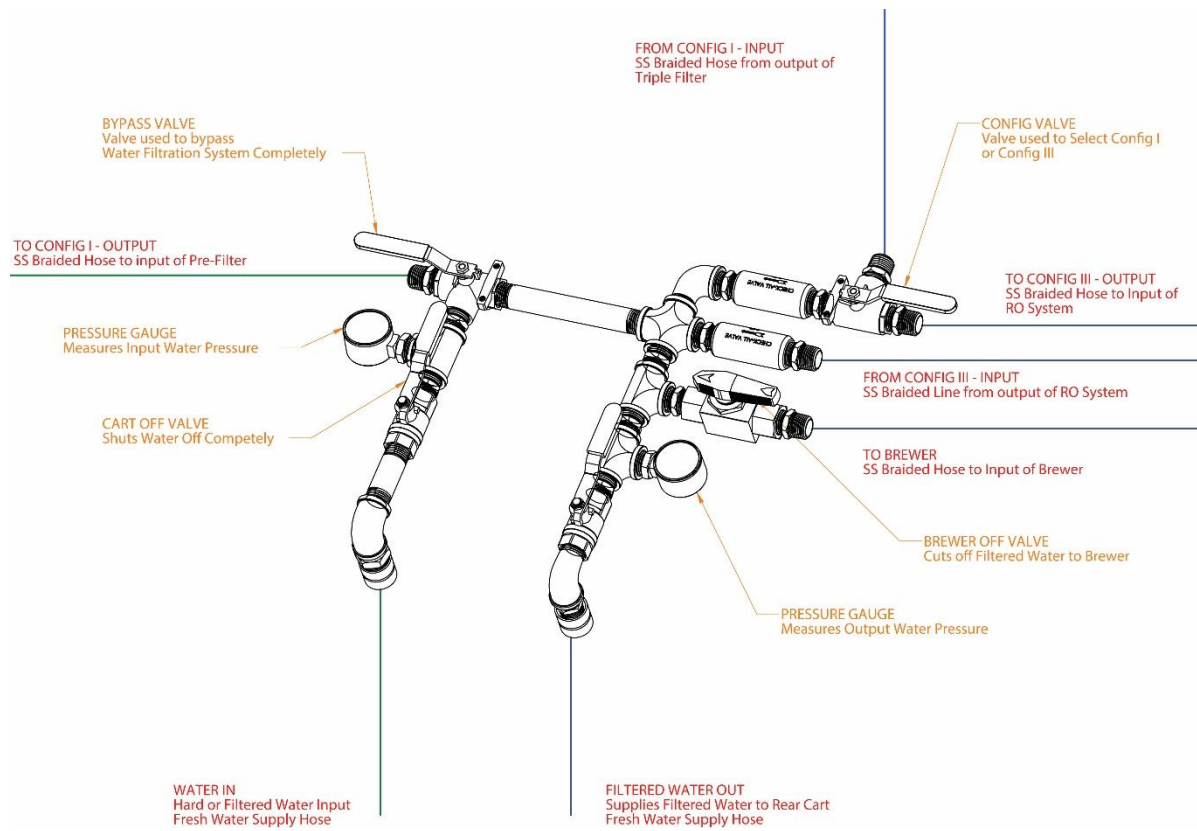


VALVE PLAN	
①	Cart Shut Off Valve - Open or Closed
②	Selector Valve - Config 1 or ByPass
③	Selector Valve - Config 1 or Config 3
④	Brewer Shut Off Valve - Open or Closed
⑤	Outlet to CMC1 Cart Shut Off Valve - Open or Closed

VALVE OPERATIONAL PLAN	
Shut Water Off In Cart	Turn Valve ① to CLOSED
Option B	Put Cart in ByPass Mode - Turn Valve ① to OPEN, Turn Valve ② to BYPASS, Turn Valve ⑤ to OPEN
Option C - Config 1	Turn Valve ① to OPEN, Turn Valve ② to CONFIG 1, Turn Valve ③ to CONFIG 1, Turn Valve ⑤ to OPEN
Option C - Config 3	Turn Valve ① to OPEN, Turn Valve ② to CONFIG 1, Turn Valve ③ to CONFIG 3, Turn Valve ⑤ to OPEN
Brewer On	In all Options except "Shut Water Off In Cart"- Turn ④ to OPEN
Turn Off Output to CMC1 Cart	To use this Cart and shut off the output water to the CMC1 Cart - Use any configuration above and Turn ⑤ to CLOSED

This Bypass Manifold is also equipped with 2 pressure gauges. The first gauge measures the input water pressure. Please note that the input water pressure must be between 40 – 60 PSI for the Cart and all of the equipment to operate correctly. Please install a pressure regulator or a pressure booster, if needed, upstream of this Cart to provide the optimal water pressure to the Store. Please note that pressure regulators or boosters are not provided by PIVOT.





Please refer to Appendix C for all product cutsheets pertaining to this Water Filtration System.



Sanitary



This Cart does require Sanitary if using the water filtration system in a Config III mode. The RO system exhausts a small amount of water when in operation. PIVOT provides a ¼ inch John Guest coupler that must be used to connect the sanitary line to this Cart. PIVOT recommends a ¼ inch PEX line be attached to this John Guest (push fitting) fitting that can be run to your drain.

When utilizing PIVOT's Pop Up Store, you can connect this PEX tubing to the plumbing in the Main Rear Cart for sanitary.



Pre-Requisites & Site Preparation

The pre-requisites and site preparation for the PVC10-SBUX-CAFE-SCB1 Cart are as follows.

- Electrical (3 Phase 120/208V 30AMP 4G - 5WR) terminating in a Hubbell receptacle – or provided by Main Rear Cart of Pop Up Store
- Hard Water supply terminating with a Hose Bibb rated for potable water
- Sanitary to be provided by the Main Rear Cart of the Pop Up Store



Shipping

PIVOT can provide shipping of the PVC10-SBUX-CAFE-SCB1 Cart to the store location.

There are multiple shipping options available:

- Common Freight/FTL - Dock to Dock
- Common Freight/FTL - Installer Offload
- PIVOT Trailer Delivery

Please contact PIVOT for more information.



Installation

The PVC10-SBUX-CAFE-SCB1 Cart comes in fully assembled with no installation required.



LIMITED WARRANTY

PIVOT LLC (“PIVOT”) warrants to the original purchaser (“Purchaser”) that it will repair or replace components of the Products (as defined in the Master Product Sales Agreement) manufactured by PIVOT (except for components not warranted under “Exclusions”) that are defective in material or workmanship under normal interior use and service (“Defects”). PIVOT’s obligation under this warranty is limited to the repair or replacement, at PIVOT’s option, of the applicable components. This limited warranty shall only apply to Defects that are reported to PIVOT within the applicable warranty period and which, upon examination by PIVOT, prove to be defective. This warranty extends only to the first purchaser of a product, and is not transferable or assignable.

APPLICABLE WARRANTY PERIOD

The applicable warranty period, measured from the date of delivery to the original purchaser, shall be as follows:

- a) Two (2) years for all PIVOT Products and components (except for the products and components listed in (b), (c) and (d), and except for components not warranted under “Exclusions”), including baseplate structures, chassis structures, doors, locks, wheels and level glides.
- b) One (1) year for all LED components including LED Drivers, Strip Lights, Fixtures and Modules.
- c) One (1) year for all signage.
- d) One (1) year for all veneers.

In PIVOT’s reasonable discretion, PIVOT shall make the determination of how to correct any Defect covered by this Limited Warranty. If PIVOT opts to replace an item, replacement components will be substantially comparable to the items replaced, subject to availability (identical colors and other features may not be available.) If PIVOT elects to repair the defective item, PIVOT will correct the Defect in such a manner as to restore the item to substantially the same conditions, which would have existed had the Defect not been present. PIVOT shall have no liability for work performed by Purchaser or Purchaser’s agents or for the cost thereof. No action to correct any Defect shall extend the duration of this Limited Warranty.

TERMINATION OF WARRANTY

The limited warranty shall immediately terminate if the Product is removed from the original installation site.

OBTAINING WARRANTY SERVICE

Warranty service must be obtained through either PIVOT or an authorized dealer in the PIVOT product line for which warranty service is requested. PIVOT may be



contacted for warranty service inquiries or issues via email at warranty@pivotcorp.com, through the PIVOT website at www.pivotcorp.com, by phone at (404) 671-9326, by facsimile at (404) 671-9325, or by mail to PIVOT, ATT: WARRANTY DEPT, 851 Hickory Flat Hwy, Canton, Georgia 30115.

It is the purchaser's obligation to arrange for delivery of a Product to PIVOT or one of its authorized dealers for warranty service, which delivery shall be at purchaser's expense. It is also the purchaser's obligation to comply with the warranty service instructions provided either by PIVOT or its authorized dealer. If the Product was purchased from an authorized dealer and not directly from PIVOT, the purchaser must provide PIVOT with completed warranty registration information within thirty (30) days after purchase in order to obtain the benefits of this warranty.

EXCLUSIONS

This Limited Warranty does not cover third party equipment, sinks, faucets, and plumbing accessories. Any warranties on these items are extended directly by the manufacturer of these items to the original purchaser. Information on these manufacturers' warranties will be enclosed with the applicable products. Also, PIVOT will furnish copies of any of the warranties extended by any such manufacturers upon request.

This Limited Warranty does not cover and PIVOT shall not be liable for:

- 1) defects, damage, or other conditions caused, in whole or in part, by misuse, abuse, negligence, alteration, accident, freight damage, tampering, or failure to seek and obtain repair or replacement in a timely manner;
- 2) matching of color, grain, or texture except to commercially acceptable standards;
- 3) changes in color caused by natural or artificial light;
- 4) products which are not installed, used, and properly cleaned and maintained as required in the PIVOT "Installation" and/or "Installation/Operation" Manual for the applicable product;
- 5) products considered to be of a consumable nature, such as light bulbs and surge suppression products;
- 6) accessories or parts not manufactured by PIVOT;
- 7) charges by anyone (including PIVOT's authorized dealers) for adjustments, repairs, replacement parts, installation, or other work performed upon or in connection with such products which are not expressly authorized in writing in advance by PIVOT; and
- 8) costs and expenses of routine maintenance and cleaning; and
- 9) representations and warranties made by any person or entity other than PIVOT.
- 10) This Limited Warranty does not cover consumer products for the purpose of the Magnuson-Moss Warranty Act. 15 U.S.C. Sec. 2301 et seq. including without limitation, any refrigerator, freezer, range, oven, dishwasher, garbage disposal, exhaust fan, thermostat, equipment, doors, sinks, water heater, or



any of the appliances, equipment, fixtures, finishes, or similar items, except as may be required by any statutory warranty. All such items covered by a manufacturer's and supplier's warranties covering such consumer products are assigned to the Purchaser. PIVOT is not in any way, responsible or liable for the performance under any manufacturer's or supplier's warranties.

- 11) This Limited Warranty does not cover routine maintenance, normal wear and tear, or conditions resulting from unreasonable use, misuse, negligence, and/or failure to provide reasonable and necessary maintenance in a timely manner.
- 12) This Limited Warranty does not cover maintenance items, defects resulting from improper maintenance, failure to maintain, misuse, abuse or failure of PIVOT to follow operating or care instructions.
- 13) This Limited Warranty does not cover defects in workmanship or materials supplied during the construction phase by anyone other than the PIVOT, its agents, employees and subcontractors acting on behalf of PIVOT.
- 14) This Limited Warranty does not cover defects or damage resulting from fires, floods, storms, the elements, electrical malfunctions, power outages, accidents or acts of God.
- 15) Any damage as a result of shipping, loading, unloading, moving or installation.

EXCLUSIVE REMEDY; CONSEQUENTIAL DAMAGES DISCLAIMER

PIVOT'S ONLY OBLIGATION UNDER THIS LIMITED WARRANTY IS THE REPAIR OR REPLACEMENT OF DEFECTIVE PARTS. PIVOT SHALL NOT BE LIABLE FOR AND HEREBY DISCLAIMS ANY DIRECT, SPECIAL, INDIRECT, INCIDENTAL, EXEMPLARY, OR CONSEQUENTIAL DAMAGES OR DELAYS, INCLUDING, BUT NOT LIMITED TO, DAMAGES FOR LOSS OF PROFIT OR INCOME, LOSS OF USE, DOWNTIME, COVER, AND EMPLOYEE OR INDEPENDENT PIVOT WAGES, PAYMENTS, AND BENEFITS.

NO AUTHORIZATION

No person or firm is authorized to create or approve for PIVOT any other obligation or liability in connection with the products.

WARRANTY DISCLAIMER

THIS LIMITED WARRANTY IS PIVOT'S ONLY WARRANTY AND IS IN LIEU OF ALL OTHER WARRANTIES, EXPRESS OR IMPLIED. PIVOT MAKES NO IMPLIED WARRANTIES OF ANY KIND INCLUDING ANY IMPLIED WARRANTIES OF MERCHANTABILITY OR FITNESS FOR A PARTICULAR PURPOSE. THIS WARRANTY IS LIMITED TO THE REPAIR OR REPLACEMENT OF DEFECTIVE PARTS. ALL IMPLIED WARRANTIES ARE LIMITED IN DURATION TO THE PERIOD OF THIS LIMITED WARRANTY



STATUTE OF LIMITATIONS

No Claim (defined below) may be brought against PIVOT for breach of this limited warranty, an implied warranty, if any, or for any other claim arising out of or relating to the products, more than ninety (90) following expiration of the limited warranty period. In the event multiple warranty periods exist with respect to a product, the ninety (90) day period provided for herein shall begin to run from expiration of the warranty period for the component to which the claim relates.

DISPUTE RESOLUTION AND LIMITATION OF LITIGATION

a. Agreement to Avoid Litigation. PIVOT and Purchaser agree to encourage the amicable resolution of disputes involving PIVOT's performance under this Limited Warranty, without the emotional and financial costs of litigation. Accordingly, each party hereto agrees that their claims, grievances or disputes (hereinafter referred to as "Claims" or "Claim") shall be resolved using the procedures set forth below. Any party having a Claim ("Claimant") against the other party ("Respondent") (collectively, the "Parties") shall notify the Respondent in writing (the "Notice") stating plainly and concisely; (1) the nature of the Claim, including the Persons involved and Respondents role in the Claim; (2) the legal basis of the Claim (i.e., the specific authority out of which the Claim arises); (3) the Claimant's proposed remedy; and that the Claimant will meet with the Respondent to discuss in good faith ways to resolve the Claim.

b. Negotiations and Mediations. The Parties shall make every reasonable effort to meet in person and confer for the purpose of resolving the Claim by good faith negotiation. If the Parties do not resolve the Claim within 60 days of the date of the Notice (or within such other period as may be agreed upon by the Parties)(the "Termination of Negotiations"), Claimant shall have 30 additional days to submit the Claim to mediation to JAMS (www.jamsadr.com), who is an independent agency performing dispute resolution services in the metropolitan Atlanta area. The Parties shall divide the cost of the mediation, with each party paying half of the costs. If Claimant does not submit the Claim to mediation within 30 days after Termination of Negotiations, or does not appear for mediation, Claimant shall be deemed to have waived the Claim, and Respondent shall be released and discharged from any and all liability to Claimant on account of such Claim. Any settlement of the Claim through mediation shall be documented in writing by the mediator. If the Parties do not settle the Claim within 30 days after submission of the matter to the mediation process, or within such time as determined by the mediator, the mediator shall issue a notice of termination of the mediation proceedings (the "Termination of Mediation"). The Termination of Mediation notice shall set forth that the Parties are at an impasse and the date that the mediation was terminated.

c. Final and Binding Arbitration. Claimant shall have 15 days after the Termination of Mediation to submit the Claim to arbitration in accordance with O.C.G.A. §9-9-1. et. Seq., and the arbitration shall take place in metropolitan Atlanta, Georgia. Claimant will pay the cost of any filing fees for the arbitration. The arbitration shall be conducted by and in accordance with the rules and procedures promulgated by the Construction Arbitration Associates, Ltd. ("CAA"). In the event the CAA is unavailable



of unable to arbitrate the Claim, the Parties may agree to another professional arbitrator appointed in accordance with O.C.G.A. § 9-9-1 et. seq. If the Claim is not timely submitted to arbitration or if the Claimant fails to appear for the arbitration proceeding, the Claim will be deemed abandoned, and Respondent shall be released and discharged from any and all liability to Claimant arising out of such Claim. This subsection (c) is an agreement to arbitrate and is specifically enforceable under the applicable arbitration laws of the State of Georgia. The arbitration award (the "Award") shall be final and binding, and judgment may be entered upon it in any court of competent jurisdiction to the fullest extent permitted under the laws of the State of Georgia.

d. Cost. The Claimant shall pay any filing fees for the arbitration. Each party shall pay the fees and expense of its own counsel.

MISCELLANEOUS

a. This Limited Warranty is not renewable. Purchaser's rights and obligations under the Limited Warranty are personal and not transferable. This Limited Warranty may not be assigned or transferred upon resale or lease of the Property.

b. Purchaser's sole remedy under this Limited Warranty is the repair or replacement of any Defect. In no event, shall PIVOT's total liability hereunder exceed the purchase price of the PIVOT deliverables. The liability of Purchaser hereunder is expressly limited to the repair and replacement of the Defects. No responsibility is assumed for any secondary or consequential damage resulting from or arising out of any defect and nothing in this warranty shall render the Purchaser liable in any respect for any injury or damage to any persons or property by reason of any defects to the PIVOT's Property.

c. This Limited Warranty constitutes the entire agreement between Purchaser and PIVOT with respect to the subject matter hereof, and no representations, inducements, promises or agreements, oral or otherwise, not expressly set forth herein shall be of any force of effect. This Limited Warranty shall be governed by the laws of the State of Georgia.





APPENDIX A

Equipment Cutsheets





APPENDIX B

Utility Cutsheets





Product data sheet

Specifications



LOAD Center QO MLO 240V 125A 3PH 12SP

QO312L125G

Product availability : Stock - Normally stocked in distribution facility

Price* : 332.00 USD

Main

Marketing Trade Name	QO
Product Type	Load Center
Cover Type	Order separately

Complementary

Tightening Torque	Main lugs 50 lb.in, AWG 6...AWG 2/0, aluminum/copper Cover 20 lb.in
Load Center Type	Main lugs
Rated Current	125 A
Number of Spaces	12
Max Short Circuit Current Rating	65 kA
Maximum Number of Single Pole Circuits	12
Maximum Number of Tandem Breakers	0
Number of Phases	3 phase
Voltage Rating	208Y/120 V AC 240/120 V delta AC 240 V delta AC
Wire Size	AWG 6...AWG 2/0 aluminum/copper
Ground Bar	Grounding bar included (not installed)
Electrical Connection	Lugs
Wiring Configuration	3-wire 4-wire
Busbar Material	Tin plated copper busbar
Enclosure Material	Welded sheet steel
Surface Finish	Baked enamel Gray
Box Number	6
Height	17.91 in (455 mm)
Width	14.25 in (362 mm)

* Price is "List Price" and may be subject to a trade discount – check with your local distributor or retailer for actual price.

Disclaimer: This documentation is not intended as a substitute for and is not to be used for determining safety or reliability of these products for specific user applications.

Dec 29, 2021

Littleton, CO | Schneider Electric

1



Environment

Enclosure Rating	NEMA 1 Indoor
Ambient Air Temperature for Operation	23 °F (-5 °C) 104 °F (40 °C)
Product Certifications	UL Listed

Ordering and shipping details

Category	00011 - QO 3PH LOAD CENTER,INDOOR
Discount Schedule	DE3
GTIN	785901296037
Nbr. of units in pkg.	1
Package weight(Lbs)	11.00 lb(US) (4.99 kg)
Returnability	Yes
Country of origin	US

Packing Units

Unit Type of Package 1	PCE
Package 1 Height	6.30 in (16.002 cm)
Package 1 width	16.50 in (41.91 cm)
Package 1 Length	19.20 in (48.768 cm)
Unit Type of Package 2	PAL
Number of Units in Package 2	54
Package 2 Weight	596.21 lb(US) (270.438 kg)
Package 2 Height	40.00 in (101.6 cm)
Package 2 width	40.00 in (101.6 cm)
Package 2 Length	48.00 in (121.92 cm)

Offer Sustainability

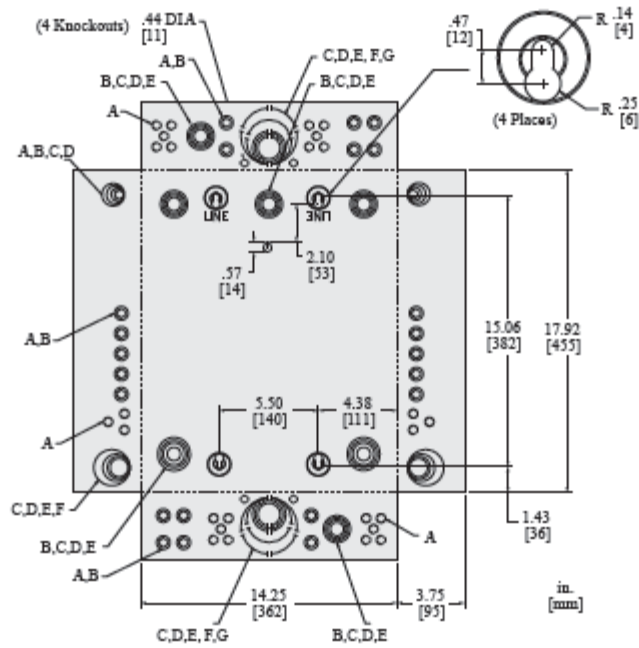
Sustainable offer status	Green Premium product
California proposition 65	WARNING: This product can expose you to chemicals including: Lead and lead compounds, which is known to the State of California to cause cancer and birth defects or other reproductive harm. For more information go to www.P65Warnings.ca.gov
REACH Regulation	REACH Declaration
REACH free of SVHC	Yes
EU RoHS Directive	Compliant EU RoHS Declaration
Toxic heavy metal free	Yes
Mercury free	Yes
RoHS exemption information	Yes
China RoHS Regulation	China RoHS declaration Pro-active China RoHS declaration (out of China RoHS legal scope)

Contractual warranty

Warranty	18 months
----------	-----------



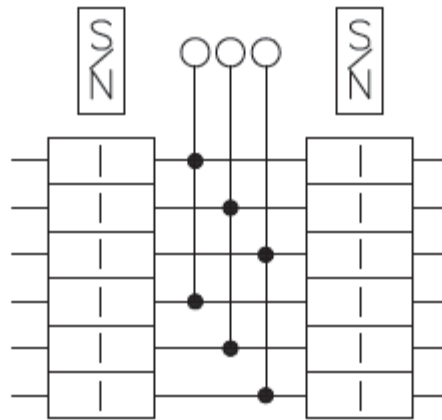
Dimensions



KNOCKOUTS		
SYMBOL	CONDUIT SIZE	
	IN	MM
A	.50	13
B	.75	19
C	1.00	25
D	1.25	32
E	1.50	38
F	2.00	51
G	2.50	64

All dimensions are approximate. Also refer to technical drawings and documentation.

Wiring Diagram



Q0312L125G
Q0312L100GNYC



Product data sheet

Specifications



Mini circuit breaker, QO, 15A, 1 pole, 120/240VAC, 10kA, plug in mount

QO115

Product availability : Stock - Normally stocked in distribution facility

Price* : 29.10 USD

Main

Product	Miniature circuit-breaker
Range	QO
Current Rating	15 A
Voltage Rating	120/240 V AC 120 V AC
Mounting Type	Plug-in
Number of Poles	1P
Circuit Breaker Type	Standard
Ratings	HACR and Switching Duty rated
Electrical Connection	Pressure plate

Complementary

Interrupt Rating	10 kA 120/240 V AC 50/60 Hz 10 kA 120 V AC 50/60 Hz
Number of Panel Spaces	1
Wire Size	AWG 14...AWG 8 copper or aluminium
Tightening Torque	44.25 lbf.in (5 N.m) 0.02...0.04 in ² (10...25 mm ²) (AWG 8...AWG 2)
Height	2.99 in (76 mm)
Width	0.75 in (19 mm)
Depth	2.91 in (74 mm)
Net Weight	0.30 lb(US) (0.136 kg)

Environment

Certifications	UL Listed CSA
Ambient Rating	104 °F (40 °C)

Ordering and shipping details

Category	00004-QO,QOT 10-30A 1P;10-60A 2P
Discount Schedule	DE2A

* Price is "List Price" and may be subject to a trade discount – check with your local distributor or retailer for actual price.

Disclaimer: This documentation is not intended as a substitute for and is not to be used for determining suitability or reliability of these products for specific user applications.

Feb 6, 2023

Littleton | Schneider Electric

1



GTIN	785901400066
Returnability	Yes
Country of origin	US

Packing Units

Unit Type of Package 1	PCE
Number of Units in Package 1	1
Package 1 Height	3.00 in (7.62 cm)
Package 1 Width	0.70 in (1.778 cm)
Package 1 Length	3.30 in (8.382 cm)
Package 1 Weight	4.80 oz (136.078 g)
Unit Type of Package 2	BB1
Number of Units in Package 2	10
Package 2 Height	3.30 in (8.382 cm)
Package 2 Width	0.70 in (1.778 cm)
Package 2 Length	7.70 in (19.558 cm)
Package 2 Weight	2.74 lb(US) (1.243 kg)
Unit Type of Package 3	CAR
Number of Units in Package 3	100
Package 3 Height	8.20 in (20.828 cm)
Package 3 Width	6.70 in (17.018 cm)
Package 3 Length	17.40 in (44.196 cm)
Package 3 Weight	28.60 lb(US) (12.973 kg)

Offer Sustainability

Sustainable offer status	Green Premium product
REACH Regulation	REACH Declaration
EU RoHS Directive	Compliant EU RoHS Declaration
Toxic heavy metal free	Yes
Mercury free	Yes
China RoHS Regulation	China RoHS declaration Product out of China RoHS scope. Substance declaration for your information.
RoHS exemption information	Yes
Halogen content performance	Halogen free product

Contractual warranty

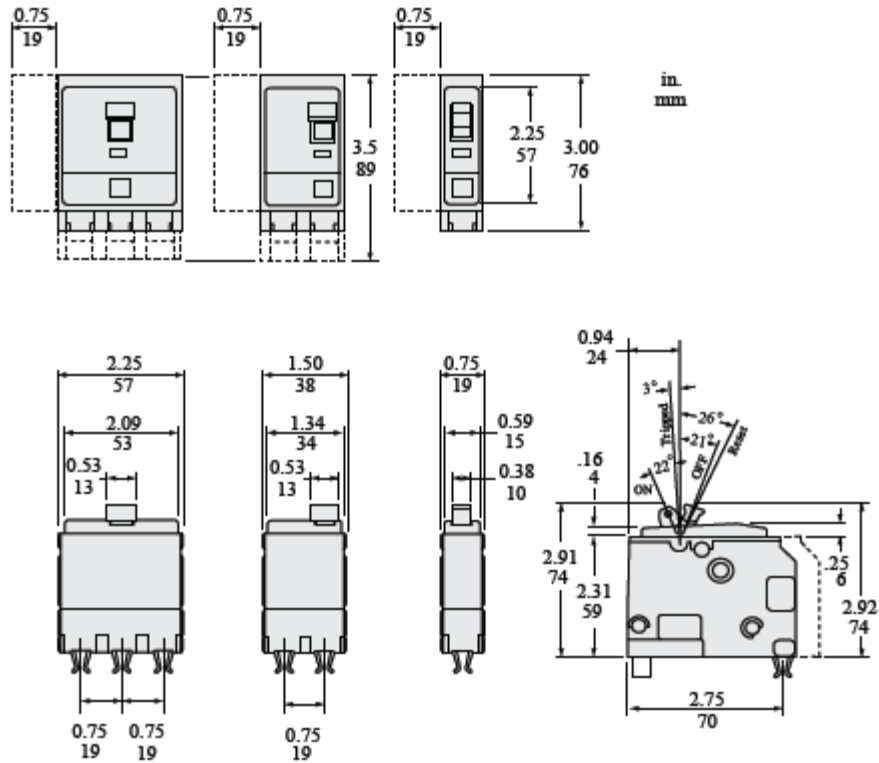
Warranty	18 months
----------	-----------



Product data sheet
 Technical Illustration

QO115

Dimensions



Dimensions are approximate. Refer to technical documentation, dimension drawings, and/or CAD for additional detail.

Recommended replacement(s)

Product data sheet

Specifications



Mini circuit breaker, QO, 30A, 2 pole, 120/240VAC, 10kA, plug in mount

QO230

Product availability : Stock - Normally stocked in distribution facility

Price* : 67.00 USD

Main

Product	Miniature circuit-breaker
Range	QO
Current Rating	30 A
Voltage Rating	120/240 V AC 120 V AC
Mounting Type	Plug-in
Number of Poles	2P
Circuit Breaker Type	Standard
Ratings	HACR rated
Electrical Connection	Pressure plate

Complementary

Interrupt Rating	10 kA 120/240 V AC 50/60 Hz 10 kA 120 V AC 50/60 Hz
Number of Panel Spaces	2
Wire Size	AWG 14...AWG 8 copper or aluminium
Tightening Torque	44.25 lbf.in (5 N.m) 0.02...0.04 in ² (10...25 mm ²) (AWG 8...AWG 2)
Height	2.99 in (76 mm)
Width	1.50 in (38 mm)
Depth	2.91 in (74 mm)
Net Weight	0.55 lb(US) (0.249 kg)

Environment

Certifications	UL Listed CSA
Ambient Rating	104 °F (40 °C)

Ordering and shipping details

Category	00004-QO,QOT 10-30A 1P;10-60A 2P
Discount Schedule	DE2A

* Price is "List Price" and may be subject to a trade discount – check with your local distributor or retailer for actual price.

Feb 5, 2023

Life by Design | Schneider Electric

1

Disclaimer: This documentation is not intended as a substitute for and is not to be used for determining suitability or reliability of these products for specific user applications.



GTIN	785901400424
Returnability	Yes
Country of origin	MX

Packing Units

Unit Type of Package 1	PCE
Number of Units in Package 1	1
Package 1 Height	2.50 in (6.35 cm)
Package 1 Width	1.40 in (3.556 cm)
Package 1 Length	3.00 in (7.62 cm)
Package 1 Weight	8.78 oz (249.0 g)
Unit Type of Package 2	BB1
Number of Units in Package 2	5
Package 2 Height	3.50 in (8.89 cm)
Package 2 Width	1.40 in (3.556 cm)
Package 2 Length	8.00 in (20.32 cm)
Package 2 Weight	2.75 lb(US) (1.247 kg)
Unit Type of Package 3	CAR
Number of Units in Package 3	50
Package 3 Height	8.50 in (21.59 cm)
Package 3 Width	7.20 in (18.288 cm)
Package 3 Length	17.50 in (44.45 cm)
Package 3 Weight	28.15 lb(US) (12.769 kg)

Offer Sustainability

Sustainable offer status	Green Premium product
California proposition 65	WARNING: This product can expose you to chemicals including: Nickel compounds, which is known to the State of California to cause cancer. For more information go to www.P65Warnings.ca.gov
REACH Regulation	REACH Declaration
EU RoHS Directive	Compliant EU RoHS Declaration
Toxic heavy metal free	Yes
Mercury free	Yes
China RoHS Regulation	China RoHS declaration Product out of China RoHS scope. Substance declaration for <i>four</i> information.
RoHS exemption information	Yes
Halogen content performance	Halogen free product

Contractual warranty

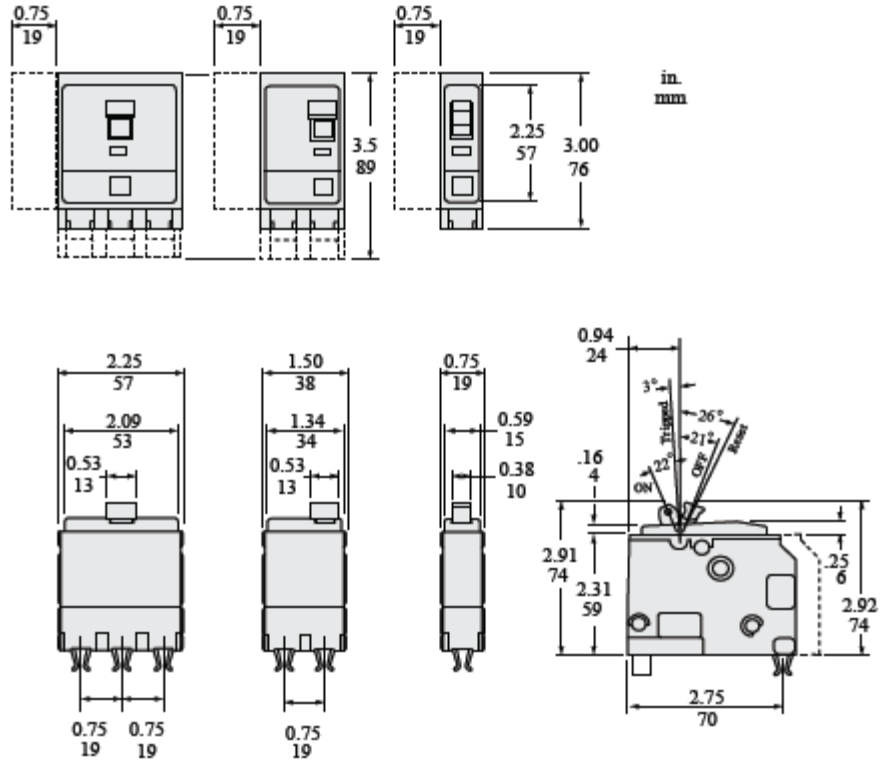
Warranty	18 months
----------	-----------



Product data sheet
 Technical Illustration

QO230

Dimensions



Dimensions are approximate. Refer to technical documentation, dimension drawings, and/or CAD for additional detail.

Recommended replacement(s)

Leviton CR20-W Receptacle



Color: White

UPC Code: 07847781545

Country Of Origin: United States

NEMA:
5-20R



CR20-W

Brand Features

Leviton's line of Heavy-Duty Specification Grade receptacles are designed and manufactured to withstand the most demanding environments. Available in a wide variety of configurations, including isolated ground, tamper-resistant, etc., these Commercial Grade devices are the electrical contractor's choice for use in hotels, schools, hospitals and commercial office buildings.

Item Description

20 Amp, 125 Volt, NEMA 5-20R, 2P, 3W, Narrow Body Duplex Receptacle, Straight Blade, Commercial Grade, Self Grounding, . . Side Wired, Steel Strap, - White

Technical Information

AC Horsepower Ratings

At Rated Voltage: 1 HP

Electrical Specifications

Grounding: Self-Grounding

Amperage: 20 Amp

Voltage: 125 Volt

Pole: 2-Pole

Wire: 3-Wire

Dielectric Voltage: Withstands 2000V per UL498

Current Limiting: Full Rated Current

Temperature Rise: Max 30C after 100 cycles OL at 150 percent rated current

Environmental Specifications

Flammability: Rated V-2 per UL94

Operating Temperature: -40C to 80C

Material Specifications

Face Material: Thermoplastic

Body Material: Thermoplastic

Line Contacts: Brass .031 Thick

Terminal Screws: Steel 8-32

Grounding Screw: Steel 8-32

Strap Material: Zinc-Plated Steel

Ground Clips: Brass

Mechanical Specifications

Terminal ID: Brass-Hot, Green-Ground, Silver-Neutral

Terminal Accom.: 14-10 AWG

Product ID: Ratings are permanently marked on device

Termination: Side Wire

Product Features

Color: White

NEMA: 5-20R

Device Type: Duplex Receptacle Outlet

Feature 4: Indented Face

Grade: Commercial Specification Grade

Standards and Certifications

NEMA: WD-1 & WD-6

ANSI: C-73

UL498: File E13399

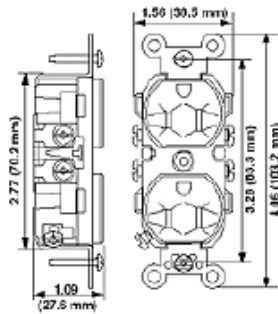
CSA C22.2 No. 42: File 152105

NOM: 057

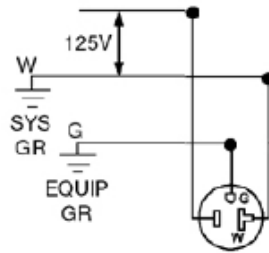
Warranty: 10 Year Limited



Dimensional Diagram



Wiring Diagram



5-20R

SPECIFICATION SUBMITTAL

JOB NAME:	CATALOG NUMBERS:	
<input type="text"/>	<input type="text"/>	<input type="text"/>
JOB NUMBER:	<input type="text"/>	<input type="text"/>

Leviton Manufacturing Co., Inc.
 201 North Service Road, Melville, NY 11747
 Teléfono: +1-800-323-8920 · FAX: +1-800-832-9538 · Tech Line (8:30AM-7:30PM E.S.T. Monday-Friday): +1-800-824-3005

Leviton Manufacturing of Canada, Ltd.
 165 Hymus Boulevard, Pointe Claire, Quebec H8R 1E9 · Telephone: +1-800-469-7890 · FAX: +1-800-824-3005 · www.leviton.com/canada

Leviton S. de R.L. de C.V.
 Lago Tana 43, Mexico DF, Mexico CP 11290 · Tel.: (+52)55-5082-1040 · FAX: (+52)5386-1797 · www.leviton.com.mx

Visit our Website at: www.leviton.com
 © 2018 Leviton Manufacturing Co., Inc. Todos los derechos reservados. Subject to change without notice.

Leviton has a global presence.
 If you would like to know where your local Leviton office is located please go to:
www.leviton.com/international/contacts/



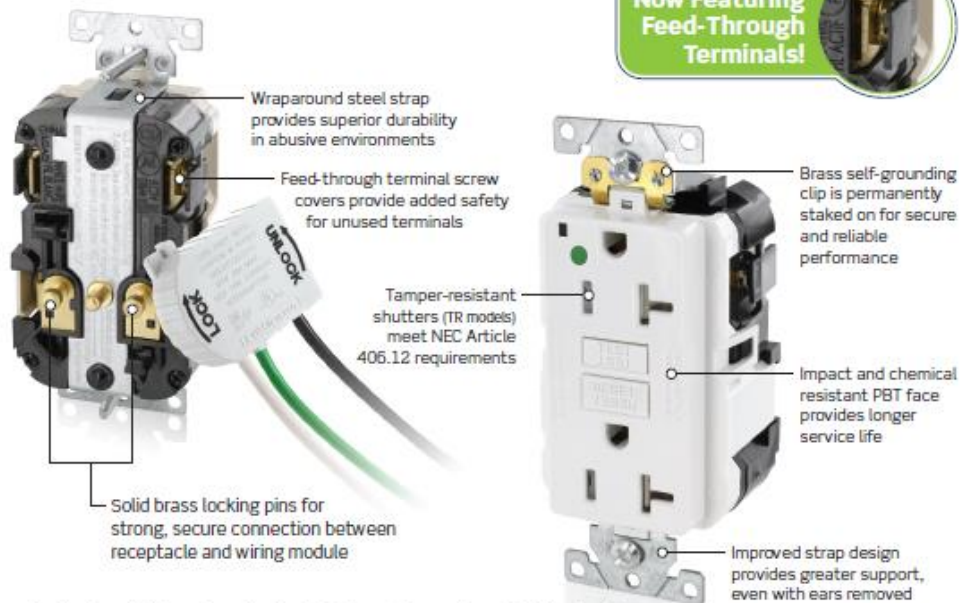
Levlok GFCI MGFN2-W Receptacle

Product Bulletin

LEVITON®

lev-lok® GFCI Duplex Receptacles Industrial & Hospital Grade

Now Featuring
Feed-Through
Terminals!



Patented SmartlockPro® protection detects and prevents against line-load reversal miswiring, and prevents resetting when ground fault protection has been lost

Ordering Information

Lev-Lok Hospital Grade GFCI Receptacles		Standard		Tamper-Resistant	
		15A	20A	15A	20A
COLOR	Brown	MN759-HG	MN789-HG	MX759-HG	MX789-HG
	Ivory	MN759-HGI	MN789-HGI	MX759-HGI	MX789-HGI
	White	MN759-HGW	MN789-HGW	MX759-HGW	MX789-HGW
	Black	MN759-HGE	MN789-HGE	MX759-HGE	MX789-HGE
	Gray	MN759-HGG	MN789-HGG	MX759-HGG	MX789-HGG
	Lt. Almond	MN759-HGT	MN789-HGT	MX759-HGT	MX789-HGT
	Red	MN759-HGR	MN789-HGR	MX759-HGR	MX789-HGR
	Lev-Lok Industrial Grade GFCI Receptacles		Standard		Tamper-Resistant
		15A	20A	15A	20A
COLOR	Brown	MN759	MN789	MX759	MX789
	Ivory	MN759-I	MN789-I	MX759-I	MX789-I
	White	MN759-W	MN789-W	MX759-W	MX789-W
	Black	MN759-E	MN789-E	MX759-E	MX789-E
	Gray	MN759-GY	MN789-GY	MX759-GY	MX789-GY
	Lt. Almond	MN759-T	MN789-T	MX759-T	MX789-T
	Red	MN759-R	MN789-R	MX759-R	MX789-R

Common Applications

- Educational Facilities
- Office Environments
- Commercial/Retail Facilities
- Hospitals
- Day Care Centers
- MDUs
- Hospitality Facilities



Ordering Information (Continued)

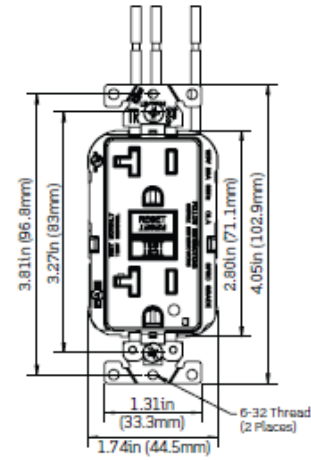
Lev-Lok Receptacle Modules, 20A, 125V	Module Color	Wire Type	Wire Colors	Catalog Numbers
Stranded Wire Leads	White	TI-HN	Black, White, Green	MSTWL-A
Stranded Wire Leads for Emergency Circuits	Red	TI-HN	Black, White, Green	MSTWL-R

Note: Solid Wire and Push Wire Connector Versions Available

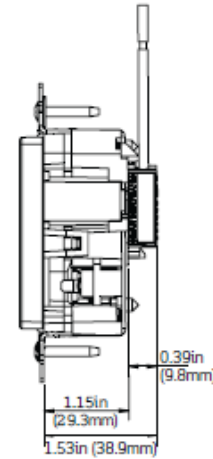
Specifications

Description	Lev-Lok GFCI Duplex Receptacles Hospital & Industrial Grade
Horsepower Rating	
At Rated Voltage	1 HP
Electrical Specifications	
Amperage	15A or 20A
Voltage	125VAC
NEMA	5-15R or 5-20R
Grounding	Self Grounding
Pole	2
Wire	3
Dielectric Voltage	Withstands 1250VAC per UL 943 and CSA-C22.2 No. 144.1-06
Short Circuit Current Rating	2kA
Trip Level	Class A, 5mA plus or minus 1mA
Temperature Rise	Max 30 °C after 250 cycles OL at 200 percent rated current
Environmental Specifications	
Flammability	Rated V-0 per UL94
Relative Humidity	20% to 90% non-condensing
Operating Temperature	-35 °C to 66 °C
Material Specifications	
Face Material	PBT
Body Material	Polycarbonate
Line Contacts	Brass
Mounting Screws	Plated Steel
Grounding Screw	Plated Steel
Strap Material	Galvanized Steel
Ground Clip	Brass
Locking Pin	Brass
Mechanical Specifications	
Product ID	Ratings permanently marked on device
Line Side Termination	Wiring Module
Load Side Termination	14-10AWG Solid or Stranded
Standards & Certifications	
NEMA	WD-1 & WD-6
Certification/Listing	UL, NOM-ANCE
Applicable Standards	UL 498 and 943, CSA C22.2 Nos. 42 and 144, FedSpec W-C-596
Guarantees	
Product Warranty	2 Year Limited

Dimensions



Front View



Side View

Visit our Website at:
www.leviton.com/industrial
 email: industrial@leviton.com
 Q-901

Leviton Manufacturing Co., Inc.
 201 N Service Rd, Melville, NY 11747
 Telephone: 1-800-323-8920 • FAX: 1-800-832-9538
 Tech Line (8:30AM-7:30PM E.S.T. Monday-Friday): 1-800-824-3005
 © 2014 Leviton Manufacturing Co., Inc. All rights reserved. 052114



HUBBELL

Twist-Lock® Devices

30A, 3 Phase Y 120/208V AC, 4 Pole, 5 Wire Grounding

Single Flush Receptacle

Features

- High-impact, abuse-resistant nylon face
- Wire restraint recess for both back and side wiring, greatly reduces the possibility of loosening the terminal connection
- Face color coding by voltage facilitates locating and mating of proper devices
- All-brass mounting and grounding system provides a lower resistance ground path and greater resistance to corrosion than other grounding systems

Description	Device Color	UPC	Catalog Number
Nylon face, back and	Black	783585236230	HBL2810

Listings

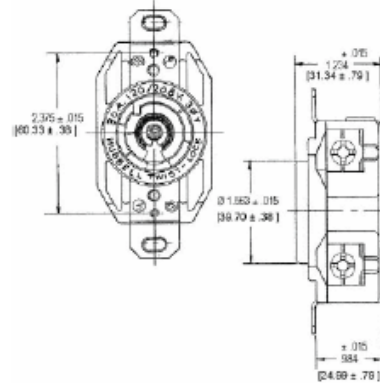
Listed to UL 498
Fed.Spec. W-C-596
Certified to CSA C22.2 No.42

Specifications

Face	Nylon
Base	Glass-Reinforced thermoplastic polyester (RTP)
Contacts	Brass
Terminal Screws	#10 - 32 Brass
Mounting Strap	Brass

Performance

Electrical	
Current Interrupting	Certified for current interrupting at full rated current
Dielectric Voltage	Withstands 2,000V minimum
Mechanical	
Flammability	V2 or better per UL94/CSA 22.2 No.0.17
Terminal Accommodation	#18 AWG - #8 AWG solid or stranded copper wire only.
Terminal Identification	Terminals identified in accordance with UL 498
Environmental	
Moisture Resistance	IP20 Suitability
Operating Temperatures	Maximum Continuous 75°C; Minimum -40°C (w/o impact)



Online Resources

Customer Use Drawing
eCatalog
Installation Instructions

Accessories

Plug	HBL2811
Wallplate or Weatherproof Cover	1.60" Opening
Switched Enclosure	SETL3

Dimensions in Inches (mm)

Hubbell Wiring Device-Kellems • Hubbell Incorporated (Delaware) • 40 Waterview Drive • Shelton, CT 06484

Phone (800) 298-6000 • Fax (800) 255-1031 • Specifications subject to change without notice.



Twist-Lock® Devices
 30A, 3 Phase Y 120/208V AC, 4 Pole, 5 Wire
 Grounding
 Watertight Safety-Shroud® Plug

HUBBELL

Features

- Ribbed nylon housing provides a secure grip and impact and chemical resistance.
- Superior cord grip design protects terminations from excess strain.
- Clear, funnel shaped wire entry for ease of termination.
- Integral dust shield protects wiring chamber from dust or contaminants.



Ordering Information

Description	Cord Diameter	UPC	Catalog Number
Black and white nylon.	.350"-1.150" (9-29)	783585039633	HBL2811

Listings

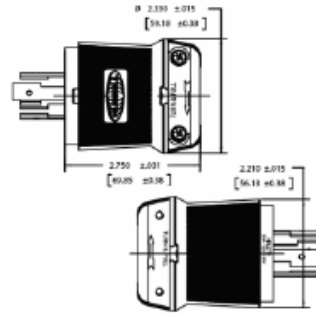
Listed to UL 498
 Fed.Spec. W-C-596
 Certified to CSA C22.2 No.42

Specifications

Housing / Cord Clamp	Nylon
Terminal Retainer	Clear polycarbonate
Blades	Brass
Terminal Screws	#10-32 Brass (Phillips / Slotted / Robertson)
Terminal Clamp	Cold rolled steel – nickel plated
Assembly Screws	Steel - nickel plated

Performance

Electrical	
Current Interrupting	Certified for current interrupting at full rated current
Dielectric Voltage	2,000V minimum
Mechanical	
Terminal Accommodation	#16 AWG - #8 AWG stranded copper wire only.
Terminal Identification	Terminals identified in accordance with UL 498
Environmental	
Flammability	HB or better per UL94/CSA 22.2 No.0.17
Moisture Resistance	IP20 Suitability
Operating Temperatures	Maximum Continuous 75°C Minimum -40°C (w/o impact)



Accessories

Connector	HBL2813
Single Receptacle	HBL2810
Flanged Receptacle	HBL2816
Weatherproof Boot	HBL6035

Resources

Customer Use Drawing
 eCatalog

Dimensions in Inches (mm)

Hubbell Wiring Device-Kellems • Hubbell Incorporated (Delaware) • 40 Waterview Drive • Shelton, CT 06484

Phone (800) 298-6000 • Fax (800) 255-1031 • Specifications subject to change without notice.



Twist-Lock® Devices
 30A, 3 Phase Y 120/208V AC; 4 Pole, 5 Wire
 Grounding
 Insulgrip® Connector

HUBBELL

Features

- Ribbed nylon housing provides a secure grip and impact and chemical resistance.
- Superior cord grip design protects terminations from excess strain.
- Clear, funnel shaped wire entry for ease of termination.
- Integral dust shield protects wiring chamber from dust or contaminants.



Ordering Information

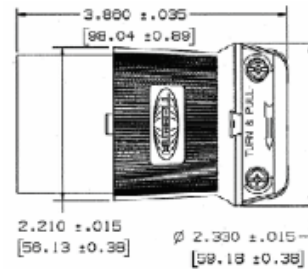
Description	Cord Diameter	UPC	Catalog Number
Black and white nylon.	.35"-1.15" (9-29)	78358503965	HBL2813

Listings

Listed to UL 498
 Fed.Spec. W-C-598
 Certified to CSA C22.2 No.42

Specifications

Housing / Cord Clamp	Nylon
Terminal Retainer	Clear polycarbonate
Contacts	Brass
Terminal Screws	#10-32 Brass (Phillips / Slotted / Robertson)
Terminal Clamp	Cold rolled steel – nickel plated
Assembly Screws	Steel - nickel plated



Performance

Electrical	
Current Interrupting	Certified for current interrupting at full rated current
Dielectric Voltage	Withstands 2,000V minimum
Mechanical	
Terminal Accommodation	#16 AWG - #8 AWG stranded copper wire only.
Terminal Identification	Terminals identified in accordance with UL 498
Environmental	
Flammability	HB or better per UL94 or CSA 22.2 No. 0.6
Operating Temperatures	Maximum Continuous 75°C Minimum -40°C (w/o impact)

Accessories

Plug	HBL2811
Weatherproof Boot	HBL8038
Flanged Inlet	HBL2815
Weatherproof Boot	HBL8035

Resources

Customer Use Drawing
 eCatalog

Dimensions in Inches (mm)
 Hubbell Wiring Device-Kellems • Hubbell Incorporated (Delaware) • 40 Waterview Drive • Shelton, CT 06484
 Phone (800) 298-6000 • Fax (800) 255-1031 • Specifications subject to change without notice.






APPENDIX C

Plumbing Fixtures Cutsheets







MRS ENVI-RO™ 600 High Efficiency Reverse Osmosis System

High output/high efficiency configurable system that delivers reverse osmosis and blended filtered water for multiple foodservice applications.



MRS ENVI-RO™ - 600 System EV9970-38
 MR-600 Cartridge EV9627-13
 2SR-BW Cartridge EV9627-14
 GS-215RO-H In-Line Filter EV9627-15

BENEFITS

The tailored blending process removes just the right amount of dissolved solids from the incoming tap water to achieve the desired final water quality.

High recovery reverse osmosis technology yields significant savings in water and sewer charges with a minimal environmental footprint.

With the average recovery of 78%, the MRS ENVI-RO 600 system only disposes approximately 1/4 cup of water for each cup of coffee brewed.

Requires less than 50% of the electrical energy typically consumed by conventional reverse osmosis systems.

System operation is tailored to the water quality at each location to maximize recovery possible for a specified membrane lifetime.

Reduces limescale build-up that can cause excessive machine downtime and increased maintenance costs.

Reduces chlorine taste and odor and other contaminants that can adversely affect the taste of water and beverages.

INSTALLATION TIPS

Choose a mounting location suitable to support the full weight of the system when operating

Delimiting of equipment prior to application is recommended

Never use saddle valve for connection

Use 3/8" (min.) water line.

The water inlet must supply a minimum of 1.5 gpm

Install vertically with cartridge hanging down and allow 2 inches above and below unit for cover removal and service access.

Allow clearance to right of unit for optional pre-filter

Refer to Installation, Operation & Maintenance Manual for cartridge flushing and RO start-up

OPERATION TIPS

Change filter cartridges on a regular 6 month preventative maintenance program

Change RO cartridges on a regular 1 year preventative maintenance program

Change cartridges when capacity is reached

Always flush the filter cartridge at time of installation and cartridge change

APPLICATION/SIZING

Mineral Reduction System for foodservice applications including coffee brewers, espresso machines, steamers, combi ovens, and ice. Ideal for specialty coffee.

Provides up to 0.7 gpm water production.
 Capacity: 600 gallons per day (2,271 lpd)

On board storage tank provides ample reserve capacity for most applications. For increased reserve capacity, Everpure offers a complete line of storage tanks.



SPECIFICATIONS

Overall Dimensions:
32"H x 25"W x 13.6"D

Inlet and outlet connection:
3/8" OD tube connection

Wastewater line connection:
1/4" OD tube connection

Service Flow Rate:
Dependant on water pressure in storage tank and line size(s) to equipment

Pressure Requirements:

Operating:
25 - 80 psi (172-552 kPa), non-shock

Maximum Static:
100 psi (689 kPa), non-shock

Electrical connection required:
115 Volts AC, 60 Hertz, 1 Phase

Water Supply:
1.5 gpm (5.7l) min.

Inlet Temperature:
40°F - 100°F (4-38°C)

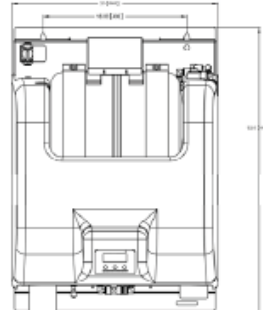
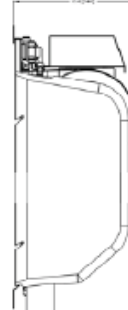
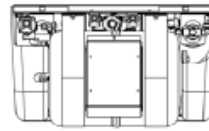
Inlet TDS:
1000 ppm max recommended

Shipping Weight:
85 lbs.

Operating Weight:
90 lbs. (not including external storage tanks)

The contaminants or other substances removed or reduced by this system are not necessarily in your water. Do not use with water that is microbiologically unsafe or of unknown quality without adequate disinfection before or after the system.

MRS ENVI-RO™ 600 High Efficiency Reverse Osmosis System

**WARRANTY**

MRS ENVI-RO™ 600 system (excluding replaceable elements) is covered by a limited warranty against defects in material and workmanship for a period of one year after the date of purchase.

Everpure replaceable elements (filter cartridges and water treatment cartridges) are covered by a limited warranty against defects in material and workmanship for a period of one year after date of purchase.

See printed warranty for details. Everpure will provide a copy of the warranty upon request.



Everpure offers a full line of water storage tanks. Contact your Everpure sales representative for more information.

EVERPURE, INC.
1040 Muirfield Drive
Hanover Park, Illinois 60133
Toll Free (800) 323-7873
Tel (630) 307-3000
Fax (630) 307-3030
<http://www.everpure.com>

In Europe:
EVERPURE EUROPE BV/BA
INDUSTRIEPARK WOLFFSTEE
TOEKOMSTLAAN 30
B-2200 HERENTALS
BELGIUM
Tel. 32-14-283500
Fax 32-14-283505

In Japan:
EVERPURE JAPAN, INC.
HASHIMOTO MN BLDG. 7F
3-25-1 HASHIMOTO SAGAMI-KU-SHI
KANAGAWA 229-1103
JAPAN
Tel. 81-(0)42-775-3000
Fax 81-(0)42-775-3005



Pentair Triple Head

13079



Filter head exclusively for Everpure replacement cartridges



QC71 Triple Parallel Head:
EV9272-23

BENEFITS

- New redesigned commercial quality filter head for Everpure filter cartridges
- Triple filter head is parallel plumbed
- Build-in water shut off valve and flushing valve makes cartridge change outs easy
- A cartridge nesting feature provides a more secure and durable fit
- Includes mounting box bracket and screws for fast and easy installation. No extra mounting plate is required
- Build-in water pressure gauge helps monitor proper flow
- New modular design of box bracket allows for future retrofitting of add-on components without disassembly of system. Optional wing bracket kits available
- All wetted parts have passed NSF extraction tests
- Engineered for durability, strength and longevity. Will not corrode

INSTALLATION TIPS

- Mounts directly onto flat surface
- Install vertically so cartridge hangs down
- Allow 2-1/2" clearance below the cartridge for easy cartridge replacement
- Flush filter by running water through filter according to cartridge instructions

OPERATION TIPS

- Change cartridges on a regular 6 month preventative maintenance program
- Change cartridges when capacity is reached or when pressure decreases
- Always flush the filter cartridge at time of installation and cartridge change

APPLICATION/SIZING

- For foodservice applications
- Capacity, varies according to filter cartridge used



QC71 Triple Parallel Head

SPECIFICATIONS

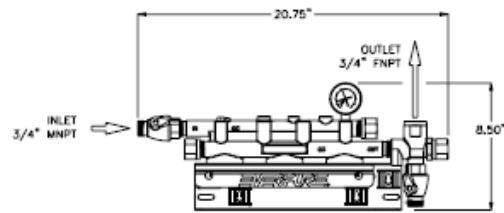
Overall Dimensions: 8.5"H x 20.75"W x 5.5"D

Inlet connection: 3/4"

Outlet connection: 3/4"

No electrical connection required

Shipping Weight: 2 lbs.



WARRANTY

Everpure water treatment systems (excluding replaceable elements) are covered by a limited warranty against defects in material and workmanship for a period of five years after date of purchase. Everpure replaceable elements (filter cartridges and water treatment cartridges) are covered by a limited warranty against defects in material and workmanship for a period of one year after date of purchase. See printed warranty for details. Everpure will provide a copy of the warranty upon request.

EVERPURE

EVERPURE, INC.
2375 Sanders Road
Northbrook, IL 60062
Toll Free (800) 323-7873
Tel (847) 205-6000
Fax (800) 942-0081
<http://www.everpure.com>

In Europe:
N.V. EVERPURE (EUROPE) S.A.
Geldenaaksebaan 478
B-3001 Heverlee
Belgium
Tel 32-16-401191
FAX 32-16-402691

In Japan:
EVERPURE JAPAN, INC.
1-8-19, Tsumada Kita,
1-Chome, Atsugi City
Kanagawa Ken 243-0812
Japan
Tel 81-462-23-6563
FAX 81-462-21-6775

Everpure, Inc.
2375 Sanders Road
Northbrook, IL 60062
Phone: 800-323-7873 Fax: 800-942-0081





Prefilter System for foodservice applications



E-20 Prefilter System: EV9795-90

EC210 Prefilter Cartridge: EV9534-26

BENEFITS

- Filters out larger dirt and rust particles
- Extends the life of primary filter cartridges
- Tightly spun EC210 sediment cartridge delivers 10 micron nominal filtration
- Durable slim bowl design makes cartridge change over easy to handle
- Clear housing lets you visually inspect trapped particles and makes determining when to change the cartridge easy
- 20" bowl design accepts most 10" drop in cartridges

INSTALLATION TIPS	OPERATION TIPS	APPLICATION/SIZING
<p>Choose a mounting location suitable to support the full weight of the system when operating</p> <p>Make sure to properly lubricate O-ring prior to use</p> <p>Use 3/4" water line (Optional reducer bushings included)</p> <p>Install vertically with bowl hanging down</p> <p>Allow 2-1/2" clearance below the cartridge for easy cartridge replacement</p>	<p>Inspect EC210 cartridge periodically to determine dirt load</p> <p>Replace EC210 cartridge when dirt has penetrated through to the inner core of the cartridge</p> <p>Do not exceed service flow rate</p> <p>Inspect O-ring during each cartridge change. Lubricate and/or replace if necessary</p>	<p>For all foodservice applications requiring prefiltration</p> <p>High sediment areas</p>



E-20 Prefilter System

SPECIFICATIONS

Overall Dimensions:
22.44"H x 5.16"W x 5.5"D

Inlet connection: 3/4"

Outlet connection: 3/4"

Service Flow Rate:
Maximum 6.0 gpm (22.7 Lpm)

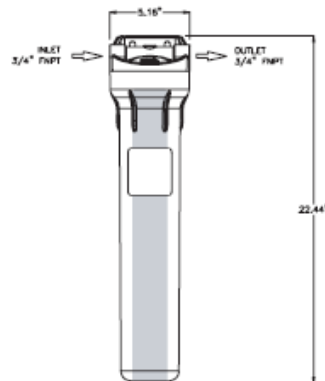
Pressure Requirements:
10 - 125 psi (0.7 - 8.6 bar), non-shock

Temperature: 35 - 100°F (2 - 38°C)

No electrical connection required

Shipping Weight: 6 lbs.

Operating Weight: 8 lbs.



The contaminants or other substances removed or reduced by this drinking water system are not necessarily in your water. Do not use with water that is microbiologically unsafe or of unknown quality without adequate disinfection before or after the system. Systems certified for cyst reduction may be used with disinfected water that may contain filterable cysts.

WARRANTY

Everpure water treatment systems (excluding replaceable elements) are covered by a limited warranty against defects in material and workmanship for a period of five years after date of purchase. Everpure replaceable elements (filter cartridges and water treatment cartridges) are covered by a limited warranty against defects in material and workmanship for a period of one year after date of purchase. See printed warranty for details. Everpure will provide a copy of the warranty upon request.

EVERPURE

EVERPURE, INC.
2375 Sanders Road
Northbrook, IL 60062
Toll Free (800) 323-7873
Tel (847) 205-6000
Fax (800) 942-0081
<http://www.everpure.com>

In Europe:
N.V. EVERPURE (EUROPE) S.A.
Geldenaaksebaan 478
B-3001 Heverlee
Belgium
Tel 32-16-401191
FAX 32-16-402691

In Japan:
EVERPURE JAPAN, INC.
1-8-19, Tsumada Kita,
1-Chome, Atsugi City
Kanagawa Ken 243-0812
Japan
Tel 81-462-23-6563
FAX 81-462-21-6775

Everpure, Inc.
2375 Sanders Road
Northbrook, IL 60062
Phone: 800-323-7873 Fax: 800-942-0081



APPENDIX D

Other Equipment Cutsheets





SKU	TAG
DESCRIPTION	
MANUFACTURER	MODEL

BUNN®

Starbucks® Single Soft Heat® DBC Brewer

Features

Starbucks® Digital Brewing System

- Three batch size capability.
- Stores individual coffee and flavor profiles using adjustable water volume, bypass percentage, Pulse-Brew™, and pre-infusion timing.
- Operate any combination of equipment error-free with wireless brewer-grinder interface via Smart Funnel®.
- Reduce accidents with safety features that decrease hot splashes from funnel eliminate brewing when funnel or server is not present.
- Consistently brew perfect coffee using Digital Brewer Control with BUNN patented Pulse-Brew™.
- Patented server heat control automatically shuts off once target temperature reached.
- Universal side-mounted hot water dispenser for optional attachment to either side of brewer.
- Large capacity tank drain.
- Includes drip tray as shown.



Model Single SH DBC with 1.5 gallon SH-S Server (server sold separately)



Models

Single SH DBC

General Installation Guidelines - Electrical Hook-Up

CAUTION - Improper electrical installation will damage electronic components.

1. An electrician must provide electrical service as specified.
2. Using a voltmeter, check the voltage and color coding of each conductor at the electrical source.
3. Remove the front panel beneath the sprayheads.
4. Feed the cord through the strain relief and connect it to the terminal block.
5. Connect the brewer to the power source and verify the voltage at the terminal block before proceeding. Replace the front panel.
6. If plumbing is to be hooked up later be sure the brewer is disconnected from the power source. If plumbing has been hooked up, the brewer is ready for initial set-up.

PLUMBING REQUIREMENTS - This brewer must be connected to a cold water system with operating pressure between 20 and 90 psi (138 and 620 kPa) from a 1/2" or larger supply line. A shut-off valve should be installed in the line before the brewer. Install a regulator in the line when pressure is greater than 90 psi (620 kPa) to reduce it to 50 psi (345 kPa). The water inlet fitting is 1/4" flare or female quick connect.

NOTE - Bunn-O-Matic recommends 1/4" copper tubing for installations of less than 25 feet and 3/8" for more than 25 feet from the 1/2" water supply line. A tight coil of

copper tubing in the water line will facilitate moving the brewer to clean the counter top. Bunn-O-Matic does not recommend the use of a saddle valve to install the brewer. The size and shape of the hole made in the supply line by this type of device may restrict water flow. This equipment must be installed to comply with the Basic Plumbing Code of the Building Officials and Code Administrators International, Inc. (BOCA) and the Food Service Sanitation Manual of the Food and Drug Administration (FDA).

PLUMBING HOOK-UP

1. Flush the water line and securely attach it to the flare fitting located on bottom of brewer.
2. Turn on the water supply.

General Operating Tips

1. Confirm server is clean and empty
2. Funnel should contain filter and proper coffee amount
3. Press "On/Off" switch
4. Select desired batch size
5. Press "Brew"

Brewer will not brew unless funnel and server are in place.

Coffee Brewers/Portable (Satellite)/BrewWISE® Single Soft Heat® DBC Brewer 10/03

BUNN®

Corporate Offices
1400 Stevenson Drive
Springfield, Illinois 62703
Phone
800-637-8606
217-529-6601
Fax
217-529-6644
Technical Services
800-286-6070
Internet
<http://www.bunnomatic.com>

Western Regional Office
16431 Camerita Road,
Cerritos, California 90701
Phone
562-926-0764
Fax
562-926-0858

Canadian Office
280 Industrial Parkway South
Aurora, Ontario, L4G 3T9
Phone
905-941-2886
Fax
905-941-2775

Patents
Apply



BUNN® *The Mark of Quality in Beverage Equipment Worldwide*

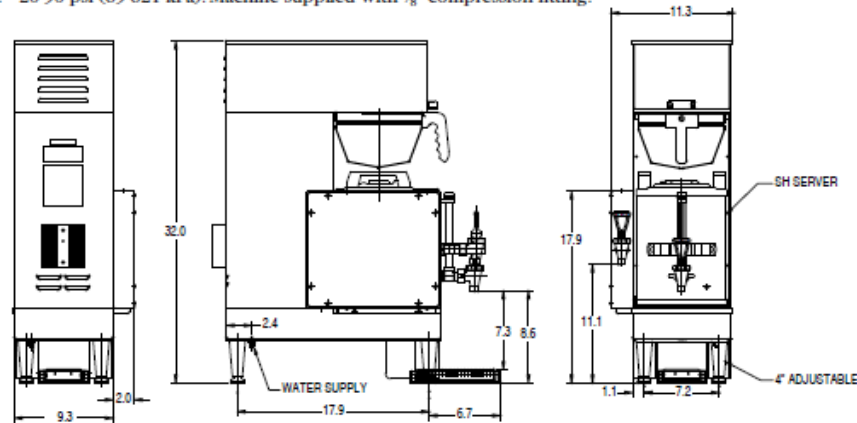
Dimensions & Specifications

Model	Product #	Volts	Amps	Tank Heater Watts	Total Watts	Brewing Capacity	Cu. Ft.	Shipping Weight	Net Weight	Ready-To-Use Weight	Cord Attached
Single SH DBC	33600.0007	120/208	19.7	4000	4100	11.4 gal/hr	7.9	69 lbs.	65 lbs.	117 lbs.	No
Single SH DBC	33600.0008	120/240	17.1	4000	4100	11.4 gal/hr	7.9	69 lbs.	65 lbs.	117 lbs.	No

Note: Soft Heat® Brewers and Servers are boxed and shipped separately.

Electrical: Brewer is 3-wires plus ground service rated 120/208V or 120/240V, single phase, 60Hz.

Plumbing: 20-90 psi (69-621 kPa). Machine supplied with 3/8" compression fitting.



All dimensions shown in inches.

BUNN-O-MATIC COMMERCIAL PRODUCT WARRANTY for Starbucks

Bunn-O-Matic Corp. ("BUNN") warrants equipment manufactured by it as follows:

- 1) All equipment other than as specified below: 3 years parts and 1 year labor.
- 2) Electronic circuit and/or control boards: parts and labor for 3 years.

These warranty periods run from the date of installation BUNN warrants that the equipment manufactured by it will be commercially free of defects in material and workmanship existing at the time of manufacture and appearing within the applicable warranty period. This warranty does not apply to any equipment, component or part that has not had the required preventative maintenance, or that was not manufactured by BUNN or that, in BUNN's judgment, has been affected by misuse, neglect, alteration, improper installation or operation, improper maintenance or repair, damage or casualty. This warranty is conditioned on the buyer 1) giving BUNN prompt notice of any claim to be made under this warranty by telephone at (217) 529-6601 or by writing to Post Office Box 3227, Springfield, Illinois 62708-3227; 2) if requested by BUNN, shipping the defective equipment prepaid to an authorized BUNN service location; and 3) receiving prior authorization from BUNN that the defective equipment is under warranty.

THE FOREGOING WARRANTY IS EXCLUSIVE AND IS IN LIEU OF ANY OTHER WARRANTY, WRITTEN OR ORAL, EXPRESS OR IMPLIED, INCLUDING, BUT NOT LIMITED TO, ANY IMPLIED WARRANTY OF EITHER MERCHANTABILITY OR FITNESS FOR A PARTICULAR PURPOSE. The agents, dealers or employees of BUNN are not authorized to make modifications to this warranty or to make additional warranties that are binding on BUNN. Accordingly, statements by such individuals, whether oral or written, do not constitute warranties and should not be relied upon.

If BUNN determines in its sole discretion that the equipment does not conform to the warranty, BUNN, at its exclusive option while the equipment is under warranty, shall either 1) provide at no charge replacement parts and/or labor (during the applicable parts and labor warranty periods specified above) to repair the defective components, provided that this repair is done by a BUNN Authorized Service Representative; or 2) shall replace the equipment or refund the purchase price for the equipment.

THE BUYER'S REMEDY AGAINST BUNN FOR THE BREACH OF ANY OBLIGATION ARISING OUT OF THE SALE OF THIS EQUIPMENT, WHETHER DERIVED FROM WARRANTY OR OTHERWISE, SHALL BE LIMITED, AT BUNN'S SOLE OPTION AS SPECIFIED HEREIN, TO REPAIR, REPLACEMENT OR REFUND.

In no event shall BUNN be liable for any other damage or loss, including, but not limited to, lost profits, lost sales, loss of use of equipment, claims of Buyer's customers, cost of capital, cost of down time, cost of substitute equipment, facilities or services, or any other special, incidental or consequential damages.

10/03 © 2003 Bunn-O-Matic Corp.



BUNN[®]



**Starbucks[®] 1.5 Gallon
Soft Heat[®] Server**

ITEM# _____

PROJECT _____

DATE _____



1.5 gallon SH-S Server

Features

Soft Heat[®] Server

- LED power indicator shows server is operational.
- Docking stations have instant power contact with servers.
- Safety-Fresh[®] brew-through lid with vapor seal and spill prevention.
- SH servers to be used with Single and Dual SH brewers or for remote serving, SH servers can be placed on 1SH or 2SH stands to obtain proper faucet to counter clearance.

For current specification sheets and other information, go to www.bunn.com.

General Operating Tips

- Confirm server is clean and empty.
- Place server on brewer or stand.
- Red LED indicator light should illuminate, indicates it is heating.
- Ready to brew.
- After one hour, if red LED indicator light is blinking, power to server has been shut off.
- This indicator light is re-set when a new batch is brewed or when the server contacts make contact with electric power.
- DO NOT IMMERSE THIS SERVER IN WATER, IT HAS INTERNAL ELECTRONIC COMPONENTS.

07/12

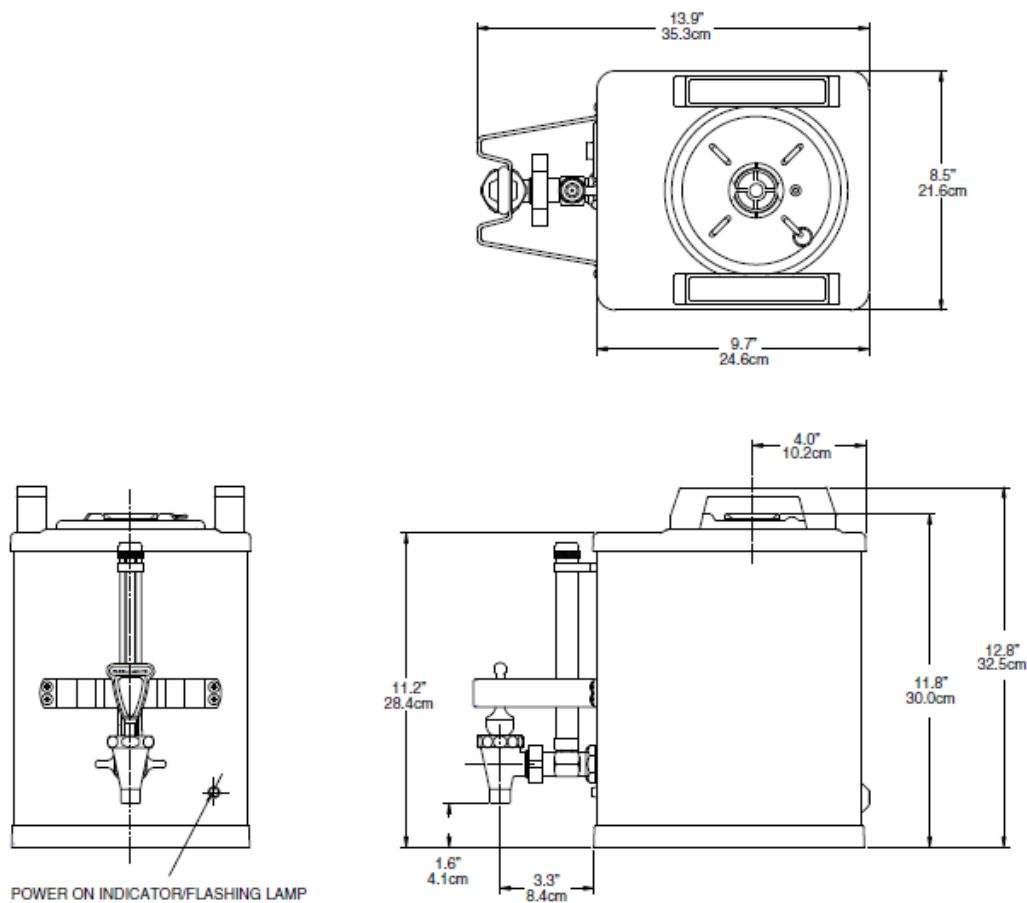


Dimensions & Specifications

Model	Product #	Capacity	Cubic Size	Shipping Weight	Net Weight	Ready* Weight	Cord Attached	Agency
SH-S Server	27850.0021	1.5 Gal	2.2ft ³	13.7 lbs	11 lbs	22 lbs	N/A	UL, NSF
		5.7 L	.06m ³	6.2 kg	5.0 kg	9.9 kg		

*filled with 1.3 gallons (4.9 L) of coffee

Electrical: Fully insulated with a 72 watt @ 24 VDC low voltage heater to keep coffee warm.



BUNN-O-Matic® Corporation - 1400 Stevenson Drive Springfield, Illinois 62703 • 800-637-9606 • 217-529-6601 • Fax 217-529-6644 • www.bunn.com

BUNN® practices continuous product research and improvement. We reserve the right to change specifications and product design without notice. Such revisions do not entitle the buyer to corresponding changes, improvements, additions or replacements for previously purchased equipment. All dimensions shown in inches and centimeters.



BUNN



**Starbucks® 1 Position
Soft Heat® Server Stand**

ITEM# _____

PROJECT _____

DATE _____



1SH Server Stand

Features

1 Position Soft Heat Server Stand

- Remote server docking station for additional satellite coffee service.
- Server stand to be used with SH servers for remote serving and to obtain proper faucet to counter clearance.
- LED power indicator shows server is operational.
- Docking stations have instant power contact with servers.
- Includes drip tray as shown.

For current specification sheets and other information, go to www.bunn.com.

General Operating Tips

CAUTION - Improper electrical installation will damage electronic components.

- Attach legs provided.
- Plug unit into correct electrical.
- To assure power is on, place server on unit, Red LED indicator on server should illuminate.
- Provides power to internal heater for the Soft Heat server.

07/12



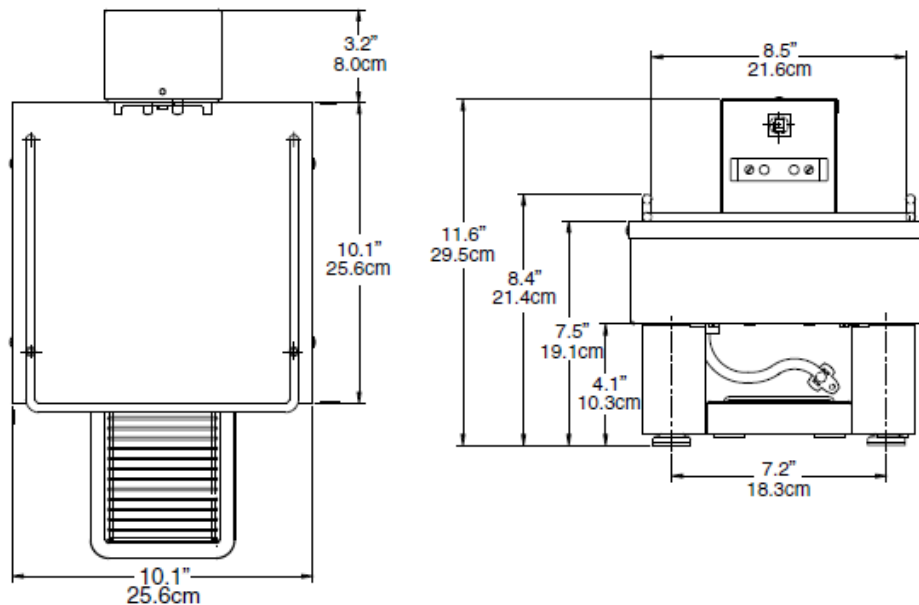
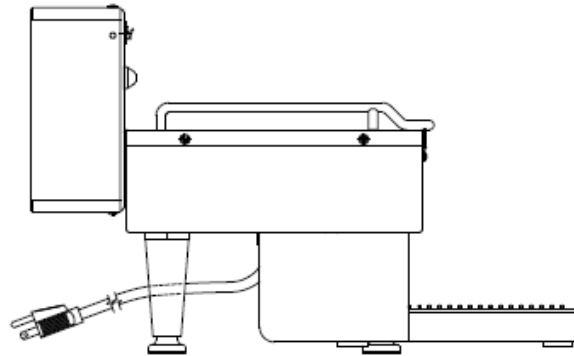
Dimensions & Specifications

Model	Product #	Volts	Amps	Total Watts	Capacity	Cubic Size	Shipping Weight	Cord Attached	Agency
1SH Stand	27825.0011	120	.75	90	1 SH Server	1.7ft ³	13 lbs	No	UL (E) (R)
1SH Stand	27825.0012	220-230	.35	75	1 SH Server	.03m ³	5.9 kg	No	CE
1SH Stand	27825.0014	100	.63	75	1 SH Server	.03m ³	5.9 kg	No	

Electrical: 120V model is 2-wires plus ground service rated at 120V, single phase 60 Hz.

220-230V model is 2-wires plus ground service rated at 220-230V, single phase 50/60 Hz.

100V model is 2-wires plus ground service rated at 100V, single phase 50/60 Hz.



BUNN-O-Matic® Corporation - 1400 Stevenson Drive Springfield, Illinois 62703 • 800-637-8606 • 217-529-6601 • Fax 217-529-6644 • www.bunn.com

BUNN® practices continuous product research and improvement. We reserve the right to change specifications and product design without notice. Such revisions do not entitle the buyer to corresponding changes, improvements, additions or replacements for previously purchased equipment.

All dimensions shown in inches and centimeters.

©2012 Bunn-O-Matic Corporation



Ditting Grinder (Model KR 1203)

RETAIL GRINDER



KR 1203/1403

Fast and reliable



grinding with passion

10808

ditting[®]
— SWISS —



KR 1203/1403



RETAIL GRINDER

The 1203 and 1403 models are the ideal solution everywhere that fast, reliable and uniform grinding is required.

Coffee stores with a large volume of business, supermarkets and roasting establishments value these coffee grinders highly for their exceptional performance, sturdiness and simple and safe operation.

- Specially developed motors allowing large grinding capacity at all degrees of fineness.
- Preservation of coffee's unique aromatic oils thanks to uniform, gentle and cool grinding made possible by specially sharpened discs developed by Ditting.
- Continuously variable adjustment of grinding fineness.
- Minimal coffee particles left in discharge tube thanks to built-in vibrating device or manual tapper.
- Efficient bag shaking device distributes grounds evenly into bag and ensures all particles are dispensed.
- Precision grinding discs made of high quality material that is extremely wear resistant. The original discs can be re-sharpened up to 3 times with proper care and maintenance.
- Easy to maintain and clean.

TECHNICAL DATA	1203	1403
Voltage/frequency/phase	110-120 V / 60 Hz / 1	220 V / 60 Hz / 3
Motor power	1.4 kW / 1.9 hp	1.7 kW / 2.3 hp
Rotor current drain	13 amps	10.7 amps
Average grinding capacity	1400 g/min / 3 lbs/min	2200 g / 5 lbs/min
Hopper capacity	1100 g / 2.4 lbs	1100 g / 2.4 lbs
Grinding disc diameter Ø	120 mm	140 mm
Net weight	38 kg / 94 lbs	38 kg / 94 lbs
Dimensions (w x d x h)	260 x 340 x 640 mm / 12.5" x 16" x 34"	260 x 340 x 640 mm / 12.5" x 16" x 34"
Standard colour	black, stainless steel	black, stainless steel
Certifications	UL, cUL, ETL (NSF-8)	UL, cUL, ETL (NSF-8)

EQUIPMENT

Available versions	KR	KR
Hopper magnet	•	•
Manual bag holding device	•	•
Bag shaker	•	•
Cooling fan	•	•
Overload protection	•	•

SPECIAL EQUIPMENT

Special grinding discs	-	•
Special colours	•	•

Other electric specifications available on request

Ditting Maschinen AG
 Bramenstrasse 11 | CH-8184 Bachenbülach | Switzerland
 Phone +41 44 864 18 00 | Fax + 41 44 864 18 01
 info@dittingswiss.ch | www.dittingswiss.ch

Ditting USA, Inc.
 8801-B Smiths Creek Rd | Wales, Michigan 48027 | USA
 Phone +1 810 367 7125 | Fax +1 810 367 7130
 10808Phone 800 835 5992 | www.ditting.com



APPENDIX E

Material Finishes Documentation





Product Data Sheet



TIGER Drylac U.S.A., Inc. | 3855 Swenson Avenue | St Charles, IL | T 800 243 8148 | F 877 928 8148 | office.us@tiger-coatings.us | www.tiger-coatings.us

SERIES 38 – SUPER DURABLE

Polyester TGIC super durable powder coating compliant to AAMA 2604 with excellent weather resistance properties for high performance architectural exterior applications.

Typical Applications

- Metal façades.
- Steel constructions.
- Stadium seating and railings.
- Residential windows and doors.
- Patio furniture and garden equipment.
- Railings.
- Playground equipment.
- Agriculture equipment.
- External ship components, communication towers, doors and railings.
- Military camouflage.

Standard Packaging 44 lb (20 kg) box.
5 lb (2.5 kg) minipack.

Specific Gravity (ASTM D792) approximately 1.2-1.8 g/cm³ depending on pigmentation.

Theoretical Coverage at 1.5 specific gravity and 2.5 mils (60 µm) film thickness: **30.2 ft²/lb (9.8 m²/kg).**

Refer also to the latest edition of "Theoretic Powder Coating Coverage Chart".
Version 00-1001 (imperial).
Version 00-1000 (metric).

Storage Stability 6 months at no more than 77 °F (25 °C).

Features

- Excellent weather resistance.
- Excellent UV-light resistance.
- AAMA 2604* compliant.
- 5 years South Florida exposure.
- Very smooth flow.
- Good storage stability.
- Good yellowing stability.

* AAMA 2604-10 compliance dependent upon the color and/or effect.

Finish and Color

- Smooth flow glossy, approximately 80-95*.
- Smooth flow semi gloss, approximately 60±5*.
- Smooth flow matte, approximately 20±5*.

* Gloss level according to ASTM 523 at 60° angle.

Available as stock product in smooth glossy, semi gloss and matte in 70 colors. It can be custom matched in limited colors (minimum order quantity and color limitation applies).



Series 38 - Super Durable



TIGER Drylac U.S.A., Inc. | 3855 Swenson Avenue | St Charles, IL | T 800 243 8148 | F 877 926 8148 | office.us@tiger-coatings.us | www.tiger-coatings.us

Pretreatment (alternatives)

The following table reflects the common methods of pretreatment with regards to various substrates and applications. In selecting the proper type of pretreatment the suitability of the type of powder coating for a desired application according to the guidelines on page one of this Product Data Sheet should be observed.

	Aluminum	Galvanized Steel	Steel
Degreasing	○	○	○
¹⁾ Chromating	○	○	○
²⁾ Anodizing	○	○	○
²⁾ Chrome free	○	○	○
Iron Phosphating			○
Zinc Phosphating		○	○
Blasting		○	○
⁴⁾ Sweeping		○	○
	I E A	I E A S	I E S ⁴⁾

- Ⓜ Interior.
- Ⓧ Exterior.
- Ⓐ Architectural.
- Ⓢ Steel construction.

- 1) According to ASTM B 449.
- 2) According to GSB quality and test regulations.
- 3) Only for zinc coated parts >1.8 mils (>45 µm).
- 4) For a two-coat process/TIGER Shield®.

Processing

Corona

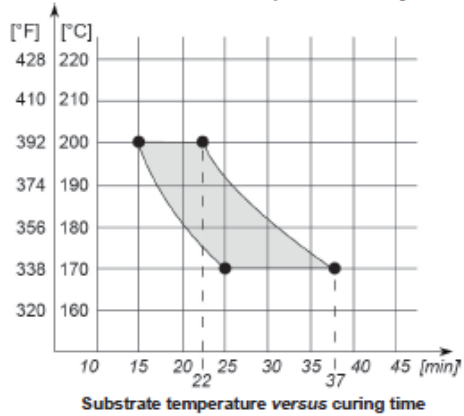
Tribo*

* For Tribo/Airstatic powder coatings please confirm before ordering. Suitability of metallic effects for Tribo processing must be verified prior to application. Please refer to the latest edition of the relevant Information Sheets.

Since not all powder coatings are suitable for recycling/reclaim, please verify before ordering.

Cure Parameters (substrate temperature)

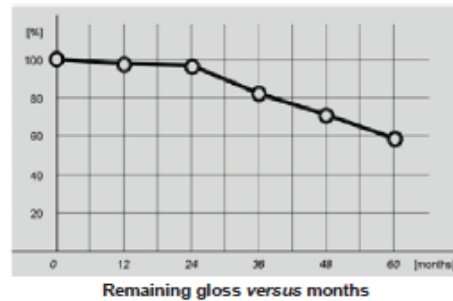
TIGER Drylac® Series 38
Cure Parameters | Smooth Glossy



To achieve a full cure and the desired mechanical properties and weatherability the time/temperature combination must fall within the cure window.

Weather Resistance

Florida exposure at 45° angle
Facing South - RAL 8014



The remaining gloss values that can be expected may vary depending on the original gloss level and color. A reasonable degree of gloss loss and color variation owing to long term UV exposure should be expected.



Series 38 - Super Durable



TIGER Drylac U.S.A., Inc. | 3855 Swenson Avenue | St Charles, IL | T 800 243 8148 | F 877 926 8148 | office.us@tiger-coatings.us | www.tiger-coatings.us

Please Note

Top coating with a clear exterior grade powder coating over an interior grade powder coating does not result into a weather resistant coating system.

Post-bending properties of any part must be verified prior to application. Minor cracks in the coated surface may lead to corrosion.

Joint sealants and any other auxiliary products, such as glazing aids, gliding waxes, drilling and cutting lubricants, which come in contact with the coated surface must be pH-neutral and free of substances that may damage the finish. Therefore, a suitability test at the applicator's end, prior to coating, is highly recommended.

In general, colors in the red, orange and yellow range may require an increased film thickness to achieve full hiding.

Any post-mechanical processing of already coated parts, such as sawing, drilling, milling, cutting and bending will result in damage of the coated surface and will subsequently weaken the corrosion protection.

Please read and understand the Material Safety Data Sheet (MSDS) before use.

Test Results

Results are checked on 1/64 inch (0.7 mm) thick yellow chromated aluminum test panel. Cure conditions are according to the cure curves. When used as a two-coat system, the increase in film thickness will result in a decrease of mechanical properties.

Test results	Test method	Series 38 Smooth Glossy
Film thickness	ISO 2360	2.5-3.5 mils (60-80 µm)
Gloss - 60°	ASTM D523	80-95+
Cross hatch adhesion test	ASTM D3359 Method B	5B
Mandrel bending test	ASTM D522	1/8 inches (3 mm).
Impact test	ASTM D2794	Up to 80 in/lb. Cracking at the perimeter of the concave area but no cracking pick off.
Pencil hardness	ASTM D3363	2H minimum.
Weathering	EN 20105 - A02	≥4
Light fastness	EC ISO 105 - B02	≥Grade7
Humidity resistance 3,000 hours	ASTM D2247	Maximum undercutting 1/32 inches (1 mm).
Acid salt spray resistance 2,000 hours	ASTM G85 Annex A5	Maximum undercutting 1/32 inches (1 mm).
5 years Florida exposure		
Color change	ASTM D2244	≤Δε 5.0 (Hunter).
Gloss retention	ASTM D523	>80%

Cleaning recommendations: Refer to the latest edition of TIGER "Cleaning Recommendations" information sheet, Version 00-1005.



Series 38 - Super Durable



TIGER Drylac U.S.A., Inc. | 3855 Swenson Avenue | St. Charles, IL | T 800 243 8148 | F 877 926 8148 | office.us@tiger-coatings.us | www.tiger-coatings.us

Special Applications

Objects directly exposed to salt/fog conditions in a marine environment or need heavy corrosion protection must be coated with TIGER Shield® system. Refer to the latest editions of TIGER Drylac® Product Data Sheets.

Chemical Resistance

The required chemical resistance of a powder coating depends, among other things, on its formulation. Chemical resistance requirements must be considered according to processing conditions and final use of the finished product. This is best established during the product specification process. Agreement between all parties involved must be reached about the requirements for such chemical resistance as well as the test method, which may be performed in accordance with PCI test method #8 "Solvent Cure Test". Furthermore, the test duration and concentration of the test media need to be agreed upon.

As part of TIGER Drylac® product information program, Product Data Sheets are updated periodically. It is recommended to always check for the latest editions on TIGER's website. TIGER's verbal and written recommendations for the use of its products are based upon experience and in accordance with current technological standards. These are given in order to support the buyer or user. They are non-committal and do not create any additional commitments to the purchase agreement. They do not release the buyer from verifying the suitability of TIGER products for the intended application. This Product Data Sheet supersedes all previous Product Data Sheet versions and notes published in relation to this product.

Certified according to
ISO 9001 | 14001

TIGER Drylac U.S.A., Inc.
3855 Swenson Avenue
St Charles, IL 60174, USA
T 800 243 8148
F 877 926 8148
E office.us@tiger-coatings.us
W www.tiger-coatings.us

