



*Turning the Ordinary into the Extraordinary*

[www.PivotCorp.com](http://www.PivotCorp.com)



**PVC10-SBUX-CAFE-SCW1**

**Starbucks® Cart Series**  
**Warming Side Cart**  
*Version 1.0*

**Product Guide**

**January 1, 2023**



# Table of Contents

Cart Overview .....	5
Cart Construction.....	6
UL Certification.....	7
Specifications .....	8
Front View.....	8
Rear View .....	8
Left View.....	9
Right View.....	9
Top View .....	9
Equipment Plan .....	10
Summary Guide for Equipment.....	11
Material Finishes .....	12
Powder Coat .....	12
Countertops.....	12
Cart Utilities .....	13
Electrical.....	13
Pre-Requisites & Site Preparation .....	17
Shipping.....	18
Installation .....	19
LIMITED WARRANTY.....	20
<b>APPLICABLE WARRANTY PERIOD</b> .....	20
<b>TERMINATION OF WARRANTY</b> .....	20
<b>OBTAINING WARRANTY SERVICE</b> .....	20
<b>EXCLUSIONS</b> .....	21
<b>EXCLUSIVE REMEDY; CONSEQUENTIAL DAMAGES DISCLAIMER</b> .....	22
<b>NO AUTHORIZATION</b> .....	22
<b>WARRANTY DISCLAIMER</b> .....	22
<b>STATUTE OF LIMITATIONS</b> .....	23
<b>DISPUTE RESOLUTION AND LIMITATION OF LITIGATION</b> .....	23
<b>MISCELLANEOUS</b> .....	24
APPENDIX A .....	25
Beverage Air UCR27AHC .....	27
APPENDIX B .....	29



SquareD Load Center QO403L60NF .....	31
SquareD Circuit Breaker QO115.....	33
SquareD Circuit Breaker QO230.....	36
Leviton CR20-W Receptacle.....	39
Hubbell HBL2810 .....	41
Hubbell HBL2811 .....	42
Hubbell HBL2813 .....	43
APPENDIX C.....	45
APPENDIX D .....	47
MerryChef Oven.....	49
Delfield Warming Rack.....	51
APPENDIX E.....	53
Powder Coat .....	55

**PROPRIETARY AND CONFIDENTIAL INFORMATION. 2023 PIVOT LLC. All rights reserved. Other company and product names mentioned herein are property of their respective owners. The contents of this publication are subject to change without notification and are the property of and cannot be reproduced without the written permission of PIVOT LLC. The contents of this publication are not a commitment by PIVOT LLC to provide the products and services described.**



## Cart Overview

The PVC10-SBUX-CAFE-SCW1 Cart manufactured by PIVOT measures approximately 34 inches wide by 36 inches in length by 51 inches in height.



This PVC10-SBUX-CAFE-SCW1 is designed to be a Side Line Cart complimenting additional Carts to form the Starbucks® Pop Up Store.

This Warming Cart is packed with features.

- Supports Starbucks approved Oven
- Undercounter 27-inch refrigerator
- Refrigerator Warming Rack for Pastries
- 304-Stainless Steel Countertop with Marine Edge
- Integrated Powder coated Steel Shroud
- Complete electrical system with Load Center
- Premium powder coated metal construction
- UL Listed – US & Canada
- A Turnkey *plug 'n play* solution



## Cart Construction

The PVC10-SBUX-CAFE-SCW1 Cart is manufactured with a base construction of Steel, Aluminum and Stainless Steel. This is in comparison to many other Carts that are constructed of wood, steel frame or plastic.

PIVOT's base construction provides an optimal platform for durability, functionality, portability and product life. These materials also provide this Cart with a CLASS A Flame Spread rating and is perfect for all environments.



Another huge advantage of the PIVOT Cart base construction is that **100%** of the **WASTE** when manufacturing this Cart is **100% RECYCLABLE**. After a long product life cycle, this Cart can also be refurbished and re-deployed to enjoy another complete life cycle, saving our natural resources and your hard-earned dollars. When it eventually comes time to retire, 100% of the structure of this Cart can be recycled to offer great sustainability of our natural resources.

All steel and aluminum components are powder coated satin black for beauty and ease of maintenance. This type of base construction provides the best platform for durability, long lasting functionality and cleanliness in the wet, harsh and high-volume environment of a Starbucks® store.

304-Stainless Steel countertops with marine edge provides a durable and optimal work surface.

All PIVOT Carts come with premium, non-marking, industrial wheels designed to easily support the weight of the Cart as well as provide many years of maintenance free service. These wheels are affixed onto PIVOT's base structure comprised of 11-gauge steel to provide uncompromising performance in high volume commercial environments.

These Carts come pre-installed with all Utilities and undercounter equipment from the factory for a turn-key store package.



## UL Certification

The PVC10-SBUX-CAFE-SCW1 Cart is UL Listed in both the United States and Canada.



You can find our listing on the UL Directory under our file number KNNS.E475132 for the United States and KNNS7.E475132 for Canada, or by following these links (or copy and paste them into your favorite internet browser).

### **UNITED STATES**

[http://database.ul.com/cgi-bin/XYV/template/LISEXT/1FRAME/showpage.html?name=KNNS.E475132&ccnshorttitle=Custom-built+Food+Service+Equipment&objid=1084945455&cfgid=1073741824&version=versionless&parent\\_id=1073989156&sequence=1](http://database.ul.com/cgi-bin/XYV/template/LISEXT/1FRAME/showpage.html?name=KNNS.E475132&ccnshorttitle=Custom-built+Food+Service+Equipment&objid=1084945455&cfgid=1073741824&version=versionless&parent_id=1073989156&sequence=1)

### **CANADA**

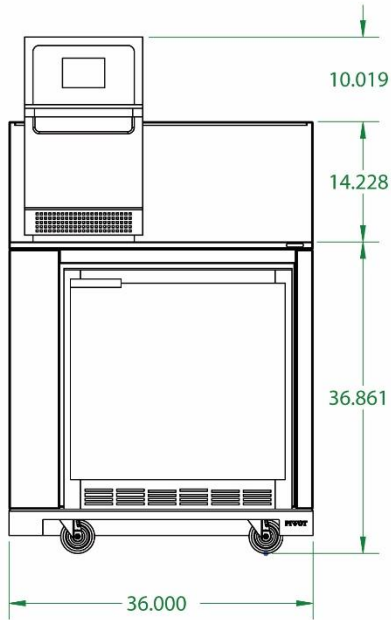
[http://database.ul.com/cgi-bin/XYV/template/LISEXT/1FRAME/showpage.html?name=KNNS7.E475132&ccnshorttitle=Custom-built+Food+Service+Equipment+Certified+for+Canada&objid=1084945460&cfgid=1073741824&version=versionless&parent\\_id=1073989158&sequence=1](http://database.ul.com/cgi-bin/XYV/template/LISEXT/1FRAME/showpage.html?name=KNNS7.E475132&ccnshorttitle=Custom-built+Food+Service+Equipment+Certified+for+Canada&objid=1084945460&cfgid=1073741824&version=versionless&parent_id=1073989158&sequence=1)



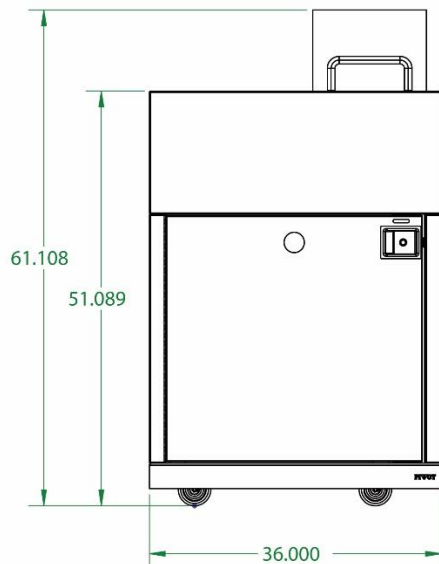
## Specifications

The PVC10-SBUX-CAFE-CMC1 Cart measures approximately 34 inches wide by 36 inches in length by 51 inches in height. Exact dimensions are shown below.

### Front View

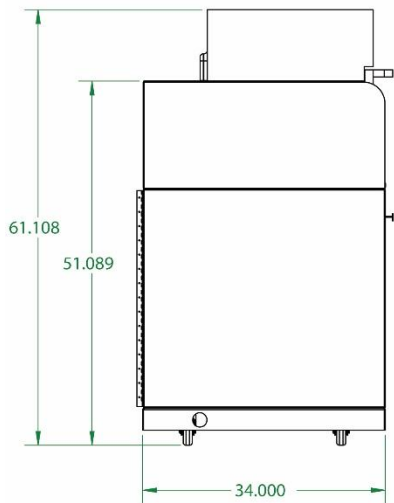


### Rear View

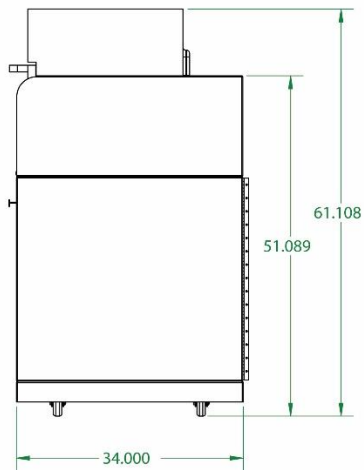




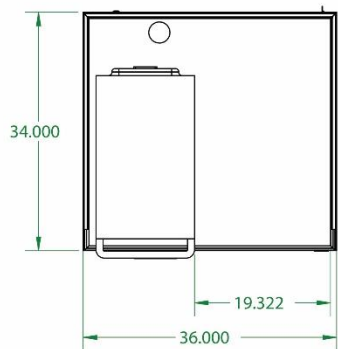
### Left View



### Right View



### Top View

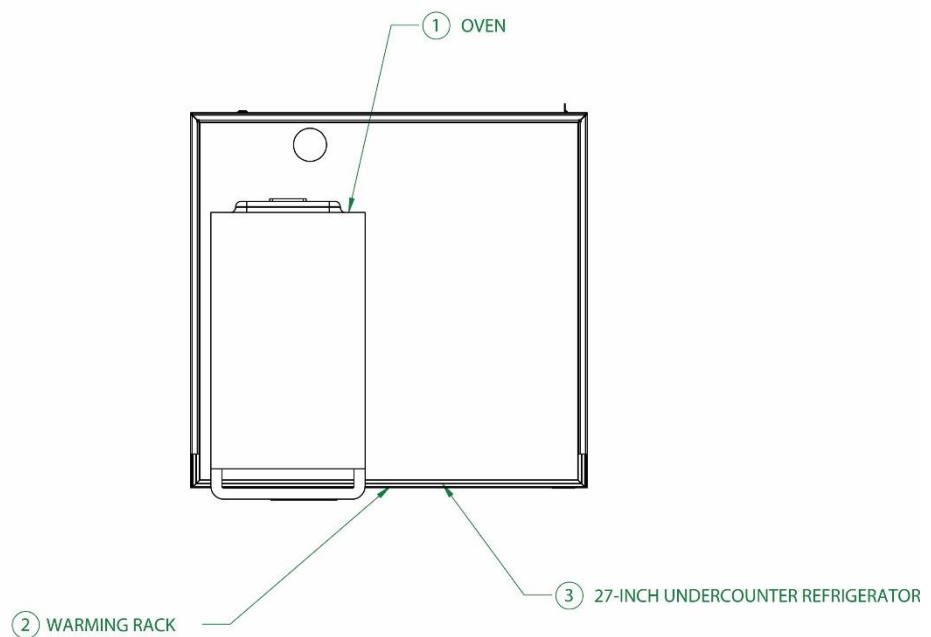


## Equipment Plan

The PVC10-SBUX-CAFE-SCW1 Cart is complimented with the best commercial equipment as required by Starbucks®. This equipment includes:

- 27-inch Undercounter Refrigerator
- Warming Rack
- Oven

EQUIPMENT PLAN	
①	Oven - Merry Chef - SBUX DID# 20032
②	Warming Rack - Delfield 406P-STAR4 - SBUX DID# 12618
③	27-inch Undercounter Refrigerator - Beverage Air Refrigerator - UCR27AHC



Please note that all built in equipment cutsheets are located in Appendix A (Equipment Cutsheets) and equipment package cutsheets are located in Appendix D (All Other Equipment Cutsheets).



## Summary Guide for Equipment

Outlined below is a Summary Guide for all equipment for the PVC10-SBUX-CAFE-SCW1 Cart.

Please note the following:

- Included in Cart – This equipment comes included and installed in the PIVOT Cart.
- Included in Equipment Package – This equipment is required by the Starbucks® Cart and can be purchased in the Equipment Package through PIVOT.
- Starbucks® – This equipment must be purchased separately and is not included in either the Cart or the Equipment Package Price. This must be purchases and provided directly by Starbucks®.

Equipment	Category	DID#	Included in Cart	Included in Equip. Pkg.	Starbucks®
27-inch Refrigerator	Refrigeration	PIVOT	✓		
Oven	Warming	20032		✓	
Warming Rack	Warming	12618		✓	

**Note:** ☉ Customer must order this directly from Starbucks®. Please note that any equipment or option not explicitly listed above is not included with the Cart or Equipment Package.



## **Material Finishes**

The PVC10-SBUX-CAFE-SCW1 Cart incorporates the best material finishes in the industry to provide many years of beauty and performance. PIVOT Carts are well known for its low cost of maintenance and durability.

### **Powder Coat**

PIVOT powder coats all metal surfaces to ensure a lasting and quality finish. Power coat is extremely durable, as well as washable, making it the perfect finish for high volume concession environments.

This Cart is powder coated with a high quality “Series 38-Super Durable” exterior grade satin finish. This powder coat is manufactured by Tiger Drylac.

Please find detailed Product Specifications in Appendix E (Material Finishes Documentation) of this Product Guide.

### **Countertops**

This Cart comes standard with a 304-Stainless Steel Countertop with Marine Edge. This countertop is manufactured by PIVOT.

This countertop provides the ideal work surface for sanitary food/beverage preparation providing both strength and durability.



## Cart Utilities

The PVC10-SBUX-CAFE-SCW1 Cart comes with utilities pre-installed at the factory. These utilities include: Electric.



The Utility Compartment (shown above) is in the Rear of the Cart. A locking door gives access to the Load Center and the Receptacles as well as the rear of the refrigerator.

## Electrical

The Starbucks® Warming Side Cart is outfitted with a SquareD load center Model # QO403L60NF (See attached cut sheet in Appendix B). This load center is rated for 120/208V (up to 240V) 60AMP 3 PH.



SquareD QO115 and QO230 circuit breakers are used for all 120V 15AMP and 208V 30AMP circuits respectively (See attached cut sheets in Appendix B). Please note that these load center circuit breakers are not GFCI circuit breakers.

Electrical wiring for all circuits utilize appropriately sized MC Cable. All receptacle boxes are single or double gang metal boxes commonly referred to as J Boxes. Receptacles for circuits 120V 20AMP and lower utilize the Leviton CR20-W (see attached cut sheet in Appendix B). PIVOT utilizes 20AMP receptacles and 12-gauge wiring (for 20 AMP) for our 15AMP receptacles so that any receptacle and circuit can be easily upgraded from 15AMP to 20AMP by simply upgrading the circuit breaker in the load center.





A 10 Gauge/5 Wire (4G) SOOW power cord is used to supply power to the Cart's load center terminated by a Hubbell HBL2811 30AMP Male AC Connector. This connector is pre-installed on the Cart at PIVOT's factory. PIVOT provides approximately 10 feet of whip for this SOOW cord (from the outside of the Cart). If additional length is needed, an extension whip can be made utilizing 10 gauge SOOW wire (5WR) with the male Hubbell plug (HBL2811) on one end and a

female Hubbell plug (HBL 2813) on the other end. Please consult your local codes department to meet your local jurisdictional electrical requirements.



At the desired service location, the customer is responsible for providing and installing the appropriate receptacle for this Cart to plug into. The matching receptacle for the above male Hubbell connector is the Hubbell HBL2810 60AMP Female AC Receptacle shown to the left.

Product cutsheets for all electrical devices are provided in Appendix B of this Product Guide.

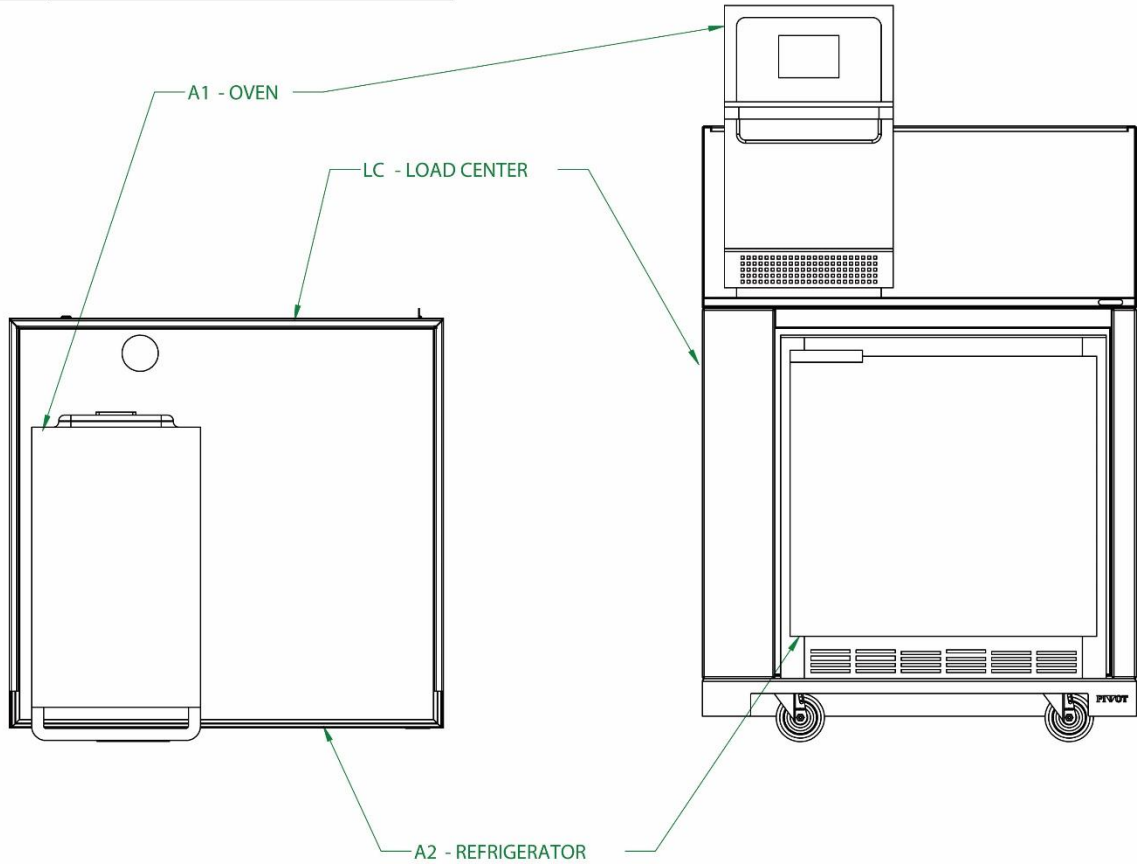


Please note that it is the customer's responsibility to meet local jurisdictional codes and to have the proper receiving receptacle/connector installed by a licensed electrician prior to the installation of the Cart. Changes to this standard setup must be communicated and agreed prior to ordering the Cart from PIVOT. PIVOT takes no responsibility for meeting local jurisdictional code requirements.




# Electrical Plan

ELECTRICAL PLAN	
LC	Load Center - SquareD - Model # QO403L60NF 60AMP 3SP - 120/208V 3PH 5WR 30AMP 10AWG SOOW
A1	Oven - MerryChef - 30AMP - MC 10AWG 2G - REC (6-50R)
A2	Refrigerator - Beverage Air - 15AMP - MC 12AWG 2G - REC (Duplex)



## Load Schedule

The load schedule for the PVC10-SBUX-CAFE-SCW1 Cart is shown below.

 <b>Load Schedule</b>										
			<b>Project:</b>	PVC10-SBUX-CAFE-SCW1			<b>Main Breaker AMPs:</b> 30 AMP			
			<b>Panel:</b>	Combo Cart			<b>Line Voltage:</b> 120/208V 3PH 5 WR SOOW			
Load Name	Load AMPs	Breaker AMPs	CHK #	A Phase WATTS	B Phase WATTS	C Phase WATTS	CHK #	Breaker AMPs	Load AMPs	Load Name
A1 Oven	22	30	1	2150						
			2		2150					
A2 Refrigerator	2	15	3			220				
<b>Total Watts Per Phase</b>				2150	2150	220				
<b>Estimated Amperage</b>					12.56					

The peak load of the Cart is estimated at 12.56AMP at 3 Phase 120/208V. This Cart is rated at 20AMP. PIVOT has configured this Cart for 120/208V 30AMP 3PH 4G 5WR.





## **Pre-Requisites & Site Preparation**

The pre-requisites and site preparation for the PVC10-SBUX-CAFE-SCW1 Cart are as follows.

- Electrical (3 Phase 120/208V 30AMP 4G - 5WR) terminating in a Hubbell receptacle – or provided by Rear Cart of Pop Up Store



## Shipping

PIVOT can provide shipping of the PVC10-SBUX-CAFE-SCW1 Cart to the store location.

There are multiple shipping options available:

- Common Freight/FTL - Dock to Dock
- Common Freight/FTL - Installer Offload
- PIVOT Trailer Delivery

Please contact PIVOT for more information.



## **Installation**

The PVC10-SBUX-CAFE-SCW1 Cart comes in fully assembled with no installation required.



## **LIMITED WARRANTY**

PIVOT LLC (“PIVOT”) warrants to the original purchaser (“Purchaser”) that it will repair or replace components of the Products (as defined in the Master Product Sales Agreement) manufactured by PIVOT (except for components not warranted under “Exclusions”) that are defective in material or workmanship under normal interior use and service (“Defects”). PIVOT’s obligation under this warranty is limited to the repair or replacement, at PIVOT’s option, of the applicable components. This limited warranty shall only apply to Defects that are reported to PIVOT within the applicable warranty period and which, upon examination by PIVOT, prove to be defective. This warranty extends only to the first purchaser of a product, and is not transferable or assignable.

### **APPLICABLE WARRANTY PERIOD**

The applicable warranty period, measured from the date of delivery to the original purchaser, shall be as follows:

- a) Two (2) years for all PIVOT Products and components (except for the products and components listed in (b), (c) and (d), and except for components not warranted under “Exclusions”), including baseplate structures, chassis structures, doors, locks, wheels and level glides.
- b) One (1) year for all LED components including LED Drivers, Strip Lights, Fixtures and Modules.
- c) One (1) year for all signage.
- d) One (1) year for all veneers.

In PIVOT’s reasonable discretion, PIVOT shall make the determination of how to correct any Defect covered by this Limited Warranty. If PIVOT opts to replace an item, replacement components will be substantially comparable to the items replaced, subject to availability (identical colors and other features may not be available.) If PIVOT elects to repair the defective item, PIVOT will correct the Defect in such a manner as to restore the item to substantially the same conditions, which would have existed had the Defect not been present. PIVOT shall have no liability for work performed by Purchaser or Purchaser’s agents or for the cost thereof. No action to correct any Defect shall extend the duration of this Limited Warranty.

### **TERMINATION OF WARRANTY**

The limited warranty shall immediately terminate if the Product is removed from the original installation site.

### **OBTAINING WARRANTY SERVICE**

Warranty service must be obtained through either PIVOT or an authorized dealer in the PIVOT product line for which warranty service is requested. PIVOT may be



contacted for warranty service inquiries or issues via email at [warranty@pivotcorp.com](mailto:warranty@pivotcorp.com), through the PIVOT website at [www.pivotcorp.com](http://www.pivotcorp.com), by phone at (404) 671-9326, by facsimile at (404) 671-9325, or by mail to PIVOT, ATT: WARRANTY DEPT, 851 Hickory Flat Hwy, Canton, Georgia 30115.

It is the purchaser's obligation to arrange for delivery of a Product to PIVOT or one of its authorized dealers for warranty service, which delivery shall be at purchaser's expense. It is also the purchaser's obligation to comply with the warranty service instructions provided either by PIVOT or its authorized dealer. If the Product was purchased from an authorized dealer and not directly from PIVOT, the purchaser must provide PIVOT with completed warranty registration information within thirty (30) days after purchase in order to obtain the benefits of this warranty.

### EXCLUSIONS

This Limited Warranty does not cover third party equipment, sinks, faucets, and plumbing accessories. Any warranties on these items are extended directly by the manufacturer of these items to the original purchaser. Information on these manufacturers' warranties will be enclosed with the applicable products. Also, PIVOT will furnish copies of any of the warranties extended by any such manufacturers upon request.

This Limited Warranty does not cover and PIVOT shall not be liable for:

- 1) defects, damage, or other conditions caused, in whole or in part, by misuse, abuse, negligence, alteration, accident, freight damage, tampering, or failure to seek and obtain repair or replacement in a timely manner;
- 2) matching of color, grain, or texture except to commercially acceptable standards;
- 3) changes in color caused by natural or artificial light;
- 4) products which are not installed, used, and properly cleaned and maintained as required in the PIVOT "Installation" and/or "Installation/Operation" Manual for the applicable product;
- 5) products considered to be of a consumable nature, such as light bulbs and surge suppression products;
- 6) accessories or parts not manufactured by PIVOT;
- 7) charges by anyone (including PIVOT's authorized dealers) for adjustments, repairs, replacement parts, installation, or other work performed upon or in connection with such products which are not expressly authorized in writing in advance by PIVOT; and
- 8) costs and expenses of routine maintenance and cleaning; and
- 9) representations and warranties made by any person or entity other than PIVOT.
- 10) This Limited Warranty does not cover consumer products for the purpose of the Magnuson-Moss Warranty Act. 15 U.S.C. Sec. 2301 et seq. including without limitation, any refrigerator, freezer, range, oven, dishwasher, garbage disposal, exhaust fan, thermostat, equipment, doors, sinks, water heater, or



any of the appliances, equipment, fixtures, finishes, or similar items, except as may be required by any statutory warranty. All such items covered by a manufacturer's and supplier's warranties covering such consumer products are assigned to the Purchaser. PIVOT is not in any way, responsible or liable for the performance under any manufacturer's or supplier's warranties.

- 11) This Limited Warranty does not cover routine maintenance, normal wear and tear, or conditions resulting from unreasonable use, misuse, negligence, and/or failure to provide reasonable and necessary maintenance in a timely manner.
- 12) This Limited Warranty does not cover maintenance items, defects resulting from improper maintenance, failure to maintain, misuse, abuse or failure of PIVOT to follow operating or care instructions.
- 13) This Limited Warranty does not cover defects in workmanship or materials supplied during the construction phase by anyone other than the PIVOT, its agents, employees and subcontractors acting on behalf of PIVOT.
- 14) This Limited Warranty does not cover defects or damage resulting from fires, floods, storms, the elements, electrical malfunctions, power outages, accidents or acts of God.
- 15) Any damage as a result of shipping, loading, unloading, moving or installation.

#### **EXCLUSIVE REMEDY; CONSEQUENTIAL DAMAGES DISCLAIMER**

PIVOT'S ONLY OBLIGATION UNDER THIS LIMITED WARRANTY IS THE REPAIR OR REPLACEMENT OF DEFECTIVE PARTS. PIVOT SHALL NOT BE LIABLE FOR AND HEREBY DISCLAIMS ANY DIRECT, SPECIAL, INDIRECT, INCIDENTAL, EXEMPLARY, OR CONSEQUENTIAL DAMAGES OR DELAYS, INCLUDING, BUT NOT LIMITED TO, DAMAGES FOR LOSS OF PROFIT OR INCOME, LOSS OF USE, DOWNTIME, COVER, AND EMPLOYEE OR INDEPENDENT PIVOT WAGES, PAYMENTS, AND BENEFITS.

#### **NO AUTHORIZATION**

No person or firm is authorized to create or approve for PIVOT any other obligation or liability in connection with the products.

#### **WARRANTY DISCLAIMER**

THIS LIMITED WARRANTY IS PIVOT'S ONLY WARRANTY AND IS IN LIEU OF ALL OTHER WARRANTIES, EXPRESS OR IMPLIED. PIVOT MAKES NO IMPLIED WARRANTIES OF ANY KIND INCLUDING ANY IMPLIED WARRANTIES OF MERCHANTABILITY OR FITNESS FOR A PARTICULAR PURPOSE. THIS WARRANTY IS LIMITED TO THE REPAIR OR REPLACEMENT OF DEFECTIVE PARTS. ALL IMPLIED WARRANTIES ARE LIMITED IN DURATION TO THE PERIOD OF THIS LIMITED WARRANTY



## STATUTE OF LIMITATIONS

No Claim (defined below) may be brought against PIVOT for breach of this limited warranty, an implied warranty, if any, or for any other claim arising out of or relating to the products, more than ninety (90) following expiration of the limited warranty period. In the event multiple warranty periods exist with respect to a product, the ninety (90) day period provided for herein shall begin to run from expiration of the warranty period for the component to which the claim relates.

## DISPUTE RESOLUTION AND LIMITATION OF LITIGATION

a. Agreement to Avoid Litigation. PIVOT and Purchaser agree to encourage the amicable resolution of disputes involving PIVOT's performance under this Limited Warranty, without the emotional and financial costs of litigation. Accordingly, each party hereto agrees that their claims, grievances or disputes (hereinafter referred to as "Claims" or "Claim") shall be resolved using the procedures set forth below. Any party having a Claim ("Claimant") against the other party ("Respondent") (collectively, the "Parties") shall notify the Respondent in writing (the "Notice") stating plainly and concisely; (1) the nature of the Claim, including the Persons involved and Respondents role in the Claim; (2) the legal basis of the Claim (i.e., the specific authority out of which the Claim arises); (3) the Claimant's proposed remedy; and that the Claimant will meet with the Respondent to discuss in good faith ways to resolve the Claim.

b. Negotiations and Mediations. The Parties shall make every reasonable effort to meet in person and confer for the purpose of resolving the Claim by good faith negotiation. If the Parties do not resolve the Claim within 60 days of the date of the Notice (or within such other period as may be agreed upon by the Parties)(the "Termination of Negotiations"), Claimant shall have 30 additional days to submit the Claim to mediation to JAMS ([www.jamsadr.com](http://www.jamsadr.com)), who is an independent agency performing dispute resolution services in the metropolitan Atlanta area. The Parties shall divide the cost of the mediation, with each party paying half of the costs. If Claimant does not submit the Claim to mediation within 30 days after Termination of Negotiations, or does not appear for mediation, Claimant shall be deemed to have waived the Claim, and Respondent shall be released and discharged from any and all liability to Claimant on account of such Claim. Any settlement of the Claim through mediation shall be documented in writing by the mediator. If the Parties do not settle the Claim within 30 days after submission of the matter to the mediation process, or within such time as determined by the mediator, the mediator shall issue a notice of termination of the mediation proceedings (the "Termination of Mediation"). The Termination of Mediation notice shall set forth that the Parties are at an impasse and the date that the mediation was terminated.

c. Final and Binding Arbitration. Claimant shall have 15 days after the Termination of Mediation to submit the Claim to arbitration in accordance with O.C.G.A. §9-9-1. et. Seq., and the arbitration shall take place in metropolitan Atlanta, Georgia. Claimant will pay the cost of any filing fees for the arbitration. The arbitration shall be conducted by and in accordance with the rules and procedures promulgated by the Construction Arbitration Associates, Ltd. ("CAA"). In the event the CAA is unavailable



of unable to arbitrate the Claim, the Parties may agree to another professional arbitrator appointed in accordance with O.C.G.A. § 9-9-1 et. seq. If the Claim is not timely submitted to arbitration or if the Claimant fails to appear for the arbitration proceeding, the Claim will be deemed abandoned, and Respondent shall be released and discharged from any and all liability to Claimant arising out of such Claim. This subsection (c) is an agreement to arbitrate and is specifically enforceable under the applicable arbitration laws of the State of Georgia. The arbitration award (the "Award") shall be final and binding, and judgment may be entered upon it in any court of competent jurisdiction to the fullest extent permitted under the laws of the State of Georgia.

d. Cost. The Claimant shall pay any filing fees for the arbitration. Each party shall pay the fees and expense of its own counsel.

### MISCELLANEOUS

a. This Limited Warranty is not renewable. Purchaser's rights and obligations under the Limited Warranty are personal and not transferable. This Limited Warranty may not be assigned or transferred upon resale or lease of the Property.

b. Purchaser's sole remedy under this Limited Warranty is the repair or replacement of any Defect. In no event, shall PIVOT's total liability hereunder exceed the purchase price of the PIVOT deliverables. The liability of Purchaser hereunder is expressly limited to the repair and replacement of the Defects. No responsibility is assumed for any secondary or consequential damage resulting from or arising out of any defect and nothing in this warranty shall render the Purchaser liable in any respect for any injury or damage to any persons or property by reason of any defects to the PIVOT's Property.

c. This Limited Warranty constitutes the entire agreement between Purchaser and PIVOT with respect to the subject matter hereof, and no representations, inducements, promises or agreements, oral or otherwise, not expressly set forth herein shall be of any force of effect. This Limited Warranty shall be governed by the laws of the State of Georgia.





# APPENDIX A

## Equipment Cutsheets







**BEVERAGE-AIR.**

Project: _____	AIA#
Item: _____	
Location: _____	SIS#
Approved: _____	

**UNDERCOUNTER REFRIGERATOR**

MODEL:  
UCR27AHC

UCR27AHC Solid Door Refrigerator  
Hydrocarbon Series

**UCR27AHC UNDERCOUNTER REFRIGERATOR**



**3 Year Parts/Labor Warranty**  
**Additional 4 Year Compressor Warranty**

**CABINET CONSTRUCTION**

- Stainless steel front, sides, top, door and grille (galvanized steel back & bottom)
- Interior liner is made of corrosion resistant aluminum
- Full electronic control
- Undercounter feature a 1/2" thick sub-top
- Interior thermometer is standard
- Self-closing doors with 120° stay-open feature, on cartridge style hinges
- Magnetic gasket attached to each door for positive seal
- 6" Casters, two (2) with brakes standard
- Two epoxy-coated steel wire shelves
- Field-reversible door (hinge kit not included)

**OPTIONS & ACCESSORIES**

- Stainless steel back
- Stainless steel interior
- Additional shelves
- Shelf clips
- Glass door option
- Right or left hinged door
- Lock
- Wire shelf divider
- 3" Casters
- 6" legs (stainless steel, black or seismic/flange)
- Low profile casters
- Roller kit
- Remote option\* (see note on back on page)

**REFRIGERATION SYSTEM**

- Uses environmentally friendly, energy efficient R290 refrigerant, and meets all regulatory requirements for CARB, SNAP, DOE & more
- Adaptive defrost
- Epoxy coated evaporator coil
- Refrigerators capable of maintaining product temperature between 36°F and 38°F



Please verify qualifying units by visiting:  
[www.enrgystar.gov/cfs](http://www.enrgystar.gov/cfs)

3779 Champion Blvd., Winston-Salem, NC 27105  
1-888-845-9800 Fax: 1-336-245-6453  
Beverage-Air.com Sales@bevair.com

Specifications are subject to change without prior notice. Rev. 12/20





# BEVERAGE-AIR

MODEL	UCR27AHC
<b>EXTERNAL DIMENSIONAL DATA</b>	
Width Overall	27"
Depth Overall with Handle & Bumper	32"
Height Overall with 6" Casters	34 1/4"
Number of Doors	1
Depth with Door Open 90°	55 1/4"
Door Opening	22 1/4" x 21 1/4"
<b>INTERNAL DIMENSIONAL DATA</b>	
NET Capacity (cubic ft.)	6.13
Internal Width Overall (in)	23"
Internal Depth Overall (in)	15 1/2"
Internal Height Overall (in)	23"
Number of Shelves	2
<b>ELECTRICAL DATA</b>	
Full Load Amperes	2.0
<b>REFRIGERATION DATA</b>	
Horsepower	1/10
Capacity (BTU/Hr)	1110
<b>SHIPPING DATA</b>	
Gross Weight - Crated	164 lbs
Height - Crated	34"
Width - Crated	32"
Depth - Crated	30"

\*NOTE: Remote units are field wired and come with 6" legs. Refrigerant must be specified at time of order.

## Undercounter Refrigerator Models: UCR27AHC

**Model Views**

Required Clearance: 3 3/16" bottom & 2" rear

**PLAN VIEW**

**ELEVATION VIEW**

**SIDE VIEW**

### \*ELECTRICAL CONNECTION



115/60/1  
NEMA 5-15P

Unit pre-wired at factory and include 8' long cord and plug set.



3779 Champlon Blvd., Winston-Salem, NC 27105 1-888-845-9600 Fax: 1-336-245-6453 Beverage-Air.com Sales@beveair.com

an A-I Group Company



# APPENDIX B

## Utility Cutsheets





# Product data sheet

Specifications



## LOAD Center QO MLO 240V 60A 3PH 3SP N1

QO403L60NF

Product availability : Stock - Normally stocked in distribution facility

Price\* : 107.00 USD

### Main

Marketing Trade Name	QO
Product Type	Load Center
Cover Type	Flush cover

### Complementary

Tightening Torque	Main lugs 35 lb.in, AWG 14...AWG 10, aluminium/copper Main lugs 50 lb.in, AWG 3...AWG 1, aluminium/copper Main lugs 40 lb.in, AWG 8...AWG 4, aluminium/copper Main lugs 35 lb.in, AWG 12...AWG10, aluminium/copper
Load Center Type	Main lugs
Rated Current	60 A
Number of Spaces	3
Max Short Circuit Current Rating	65 kA
Maximum Number of Single Pole Circuits	3
Maximum Number of Tandem Breakers	0
Number of Phases	3 phase
Voltage Rating	208Y/120 V AC 240/120 V delta AC 240 V delta AC
Wire Size	AWG 10...AWG 6 copper
Ground Bar	Neutral (factory installed)
Electrical Connection	Lugs
Wiring Configuration	4-wire 3-wire
Busbar Material	Tin plated aluminium busbar
Enclosure Material	Welded sheet steel
Surface Finish	Baked enamel Gray
Box Number	13
Height	13.11 in (333 mm)
Width	5.87 in (149 mm)

\* Price is "List Price" and may be subject to a trade discount – check with your local distributor or retailer for actual price.

Disclaimer: This documentation is not intended as a substitute for and is not to be used for determining suitability or reliability of these products for specific user applications.

Dec 29, 2021

Littleton | Schneider Electric

1



Depth	3.39 in (86 mm)
Net Weight	6.17 lb(US) (2.800 kg)

### Environment

Enclosure Rating	NEMA 1 Indoor
Ambient Air Temperature for Operation	23 °F (-5 °C) 104 °F (40 °C)
Product Certifications	UL Listed

### Ordering and shipping details

Category	00011 - QO 3PH LOAD CENTER,INDOOR
Discount Schedule	DE3
GTIN	785901051695
Nbr. of units in pkg.	1
Package weight(Lbs)	5.78 lb(US) (2.62 kg)
Returnability	Yes
Country of origin	MX

### Packing Units

Unit Type of Package 1	PCE
Package 1 Height	3.82 in (9.7 cm)
Package 1 width	7.52 in (19.1 cm)
Package 1 Length	15.00 in (38.1 cm)

### Offer Sustainability

Sustainable offer status	Green Premium product
California proposition 65	WARNING: This product can expose you to chemicals including: Lead and lead compounds, which is known to the State of California to cause cancer and birth defects or other reproductive harm. For more information go to <a href="http://www.P65Warnings.ca.gov">www.P65Warnings.ca.gov</a>
REACH Regulation	<a href="#">REACH Declaration</a>
REACH free of SVHC	Yes
EU RoHS Directive	Compliant <a href="#">EU RoHS Declaration</a>
Toxic heavy metal free	Yes
Mercury free	Yes
RoHS exemption information	Yes
China RoHS Regulation	<a href="#">China RoHS declaration</a> Pro-active China RoHS declaration (out of China RoHS legal scope)

### Contractual warranty

Warranty	18 months
----------	-----------





# Product data sheet

Specifications



Mini circuit breaker, QO, 15A, 1 pole, 120/240VAC, 10kA, plug in mount

QO115

Product availability : Stock - Normally stocked in distribution facility

Price\* : 29.10 USD

## Main

Product	Miniature circuit-breaker
Range	QO
Current Rating	15 A
Voltage Rating	120/240 V AC 120 V AC
Mounting Type	Plug-in
Number of Poles	1P
Circuit Breaker Type	Standard
Ratings	HACR and Switching Duty rated
Electrical Connection	Pressure plate

## Complementary

Interrupt Rating	10 kA 120/240 V AC 50/60 Hz 10 kA 120 V AC 50/60 Hz
Number of Panel Spaces	1
Wire Size	AWG 14...AWG 8 copper or aluminium
Tightening Torque	44.25 lbf.in (5 N.m) 0.02...0.04 in <sup>2</sup> (10...25 mm <sup>2</sup> ) (AWG 8...AWG 2)
Height	2.99 in (76 mm)
Width	0.75 in (19 mm)
Depth	2.91 in (74 mm)
Net Weight	0.30 lb(US) (0.136 kg)

## Environment

Certifications	UL Listed CSA
Ambient Rating	104 °F (40 °C)

## Ordering and shipping details

Category	00004-QO,QOT 10-30A 1P;10-60A 2P
Discount Schedule	DE2A

\* Price is "List Price" and may be subject to a trade discount – check with your local distributor or retailer for actual price.

Disclaimer: This documentation is not intended as a substitute for and is not to be used for determining safety or reliability of these products for specific user applications.



GTIN	785901400066
Returnability	Yes
Country of origin	US

### Packing Units

Unit Type of Package 1	PCE
Number of Units in Package 1	1
Package 1 Height	3.00 in (7.62 cm)
Package 1 Width	0.70 in (1.778 cm)
Package 1 Length	3.30 in (8.382 cm)
Package 1 Weight	4.80 oz (136.078 g)
Unit Type of Package 2	BB1
Number of Units in Package 2	10
Package 2 Height	3.30 in (8.382 cm)
Package 2 Width	0.70 in (1.778 cm)
Package 2 Length	7.70 in (19.558 cm)
Package 2 Weight	2.74 lb(US) (1.243 kg)
Unit Type of Package 3	CAR
Number of Units in Package 3	100
Package 3 Height	8.20 in (20.828 cm)
Package 3 Width	6.70 in (17.018 cm)
Package 3 Length	17.40 in (44.196 cm)
Package 3 Weight	28.60 lb(US) (12.973 kg)

### Offer Sustainability

Sustainable offer status	Green Premium product
REACH Regulation	<a href="#">REACH Declaration</a>
EU RoHS Directive	Compliant <a href="#">EU RoHS Declaration</a>
Toxic heavy metal free	Yes
Mercury free	Yes
China RoHS Regulation	<a href="#">China RoHS declaration</a> Product out of China RoHS scope. Substance declaration for your information.
RoHS exemption information	<a href="#">Yes</a>
Halogen content performance	Halogen free product

### Contractual warranty

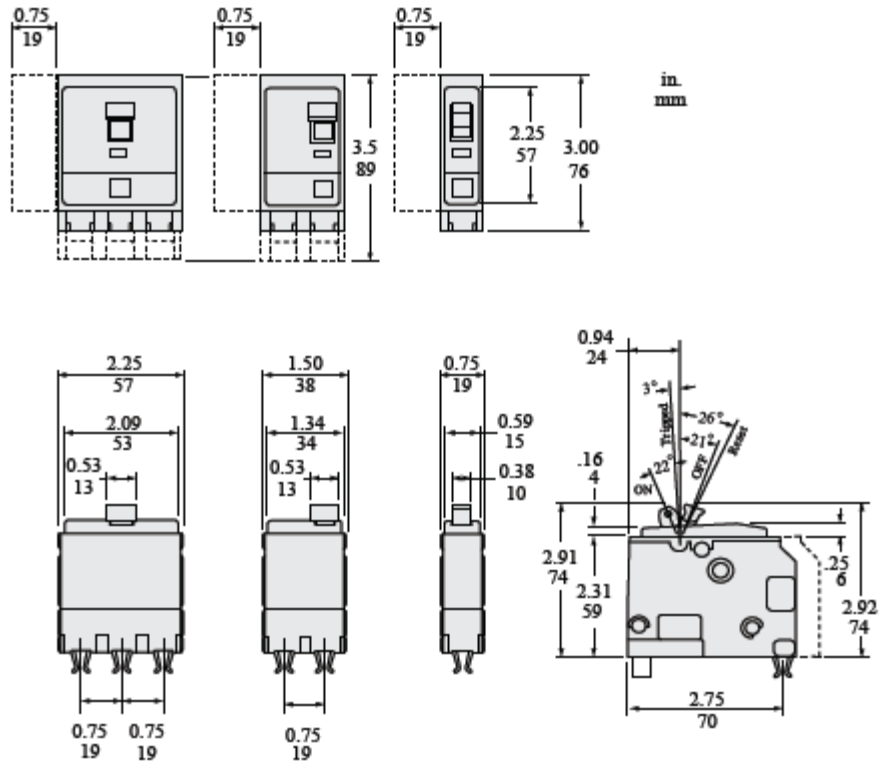
Warranty	18 months
----------	-----------



**Product data sheet**  
 Technical Illustration

**QO115**

**Dimensions**



Dimensions are approximate. Refer to technical documentation, dimension drawings, and/or CAD for additional detail.

**Recommended replacement(s)**

# Product data sheet

Specifications



Mini circuit breaker, QO, 30A, 2 pole, 120/240VAC, 10kA, plug in mount

QO230

Product availability : Stock - Normally stocked in distribution facility

Price\* : 67.00 USD

## Main

Product	Miniature circuit-breaker
Range	QO
Current Rating	30 A
Voltage Rating	120/240 V AC 120 V AC
Mounting Type	Plug-in
Number of Poles	2P
Circuit Breaker Type	Standard
Ratings	HACR rated
Electrical Connection	Pressure plate

## Complementary

Interrupt Rating	10 kA 120/240 V AC 50/60 Hz 10 kA 120 V AC 50/60 Hz
Number of Panel Spaces	2
Wire Size	AWG 14...AWG 8 copper or aluminium
Tightening Torque	44.25 lbf/in (5 N.m) 0.02...0.04 in <sup>2</sup> (10...25 mm <sup>2</sup> ) (AWG 8...AWG 2)
Height	2.99 in (76 mm)
Width	1.50 in (38 mm)
Depth	2.91 in (74 mm)
Net Weight	0.55 lb(US) (0.249 kg)

## Environment

Certifications	UL Listed CSA
Ambient Rating	104 °F (40 °C)

## Ordering and shipping details

Category	00004-QO,QOT 10-30A 1P;10-60A 2P
Discount Schedule	DE2A

\* Price is "List Price" and may be subject to a trade discount – check with your local distributor or retailer for actual price.

Feb 5, 2023

Life by Design | Schneider Electric

1

Disclaimer: This documentation is not intended as a substitute for and is not to be used for determining suitability or reliability of these products for specific user applications.



GTIN	785901400424
Returnability	Yes
Country of origin	MX

### Packing Units

Unit Type of Package 1	PCE
Number of Units in Package 1	1
Package 1 Height	2.50 in (6.35 cm)
Package 1 Width	1.40 in (3.556 cm)
Package 1 Length	3.00 in (7.62 cm)
Package 1 Weight	8.78 oz (249.0 g)
Unit Type of Package 2	BB1
Number of Units in Package 2	5
Package 2 Height	3.50 in (8.89 cm)
Package 2 Width	1.40 in (3.556 cm)
Package 2 Length	8.00 in (20.32 cm)
Package 2 Weight	2.75 lb(US) (1.247 kg)
Unit Type of Package 3	CAR
Number of Units in Package 3	50
Package 3 Height	8.50 in (21.59 cm)
Package 3 Width	7.20 in (18.288 cm)
Package 3 Length	17.50 in (44.45 cm)
Package 3 Weight	28.15 lb(US) (12.769 kg)

### Offer Sustainability

Sustainable offer status	Green Premium product
California proposition 65	WARNING: This product can expose you to chemicals including: Nickel compounds, which is known to the State of California to cause cancer. For more information go to <a href="http://www.P65Warnings.ca.gov">www.P65Warnings.ca.gov</a>
REACH Regulation	<a href="#">REACH Declaration</a>
EU RoHS Directive	Compliant <a href="#">EU RoHS Declaration</a>
Toxic heavy metal free	Yes
Mercury free	Yes
China RoHS Regulation	<a href="#">China RoHS declaration</a> Product out of China RoHS scope. Substance declaration for <i>four</i> information.
RoHS exemption information	<a href="#">Yes</a>
Halogen content performance	Halogen free product

### Contractual warranty

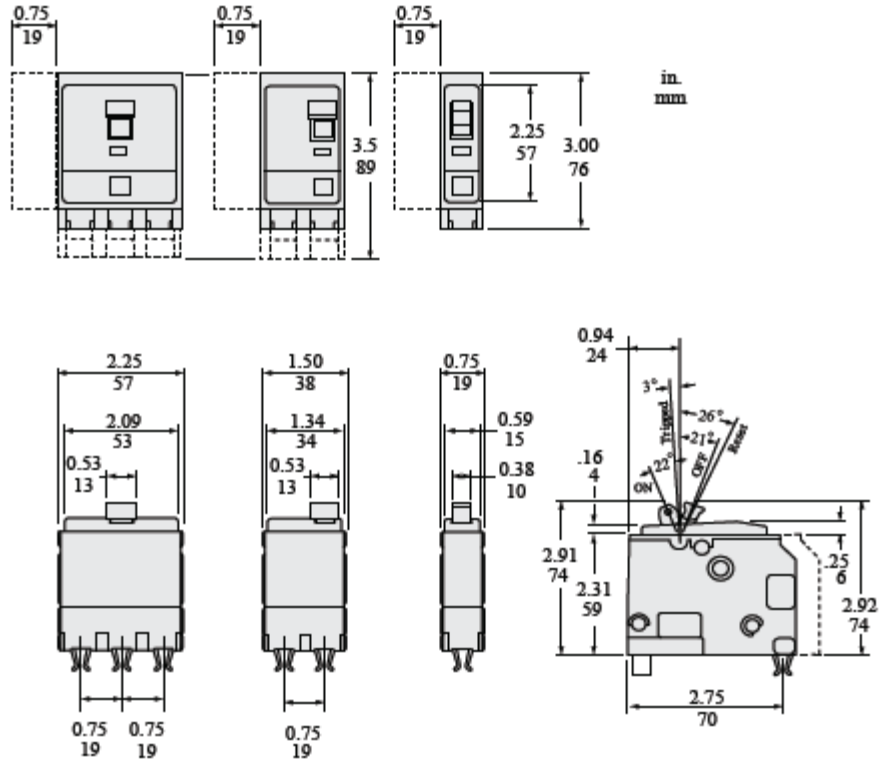
Warranty	18 months
----------	-----------



**Product data sheet**  
 Technical Illustration

**QO230**

**Dimensions**



Dimensions are approximate. Refer to technical documentation, dimension drawings, and/or CAD for additional detail.

**Recommended replacement(s)**

## Leviton CR20-W Receptacle



Color: White

UPC Code: 07847781545

Country Of Origin: United States

NEMA:  
5-20R



### CR20-W

#### Brand Features

Leviton's line of Heavy-Duty Specification Grade receptacles are designed and manufactured to withstand the most demanding environments. Available in a wide variety of configurations, including isolated ground, tamper-resistant, etc., these Commercial Grade devices are the electrical contractor's choice for use in hotels, schools, hospitals and commercial office buildings.

#### Item Description

20 Amp, 125 Volt, NEMA 5-20R, 2P, 3W, Narrow Body Duplex Receptacle, Straight Blade, Commercial Grade, Self Grounding, . . Side Wired, Steel Strap, - White

#### Technical Information

##### AC Horsepower Ratings

At Rated Voltage: 1 HP

##### Electrical Specifications

Grounding: Self-Grounding

Amperage: 20 Amp

Voltage: 125 Volt

Pole: 2-Pole

Wire: 3-Wire

Dielectric Voltage: Withstands 2000V per UL498

Current Limiting: Full Rated Current

Temperature Rise: Max 30C after 100 cycles OL at 150 percent rated current

##### Environmental Specifications

Flammability: Rated V-2 per UL94

Operating Temperature: -40C to 80C

##### Material Specifications

Face Material: Thermoplastic

Body Material: Thermoplastic

Line Contacts: Brass .031 Thick

Terminal Screws: Steel 8-32

Grounding Screw: Steel 8-32

Strap Material: Zinc-Plated Steel

Ground Clips: Brass

##### Mechanical Specifications

Terminal ID: Brass-Hot, Green-Ground, Silver-Neutral

Terminal Accom.: 14-10 AWG

Product ID: Ratings are permanently marked on device

Termination: Side Wire

##### Product Features

Color: White

NEMA: 5-20R

Device Type: Duplex Receptacle Outlet

Feature 4: Indented Face

Grade: Commercial Specification Grade

##### Standards and Certifications

NEMA: WD-1 & WD-6

ANSI: C-73

UL498: File E13399

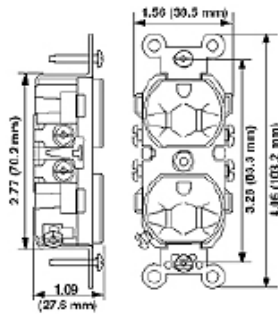
CSA C22.2 No. 42: File 152105

NOM: 057

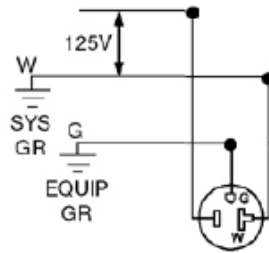
Warranty: 10 Year Limited



### Dimensional Diagram



### Wiring Diagram



5-20R

### SPECIFICATION SUBMITTAL

JOB NAME:	CATALOG NUMBERS:	
<input type="text"/>	<input type="text"/>	<input type="text"/>
JOB NUMBER:	<input type="text"/>	<input type="text"/>

**Leviton Manufacturing Co., Inc.**  
 201 North Service Road, Melville, NY 11747  
 Teléfono: +1-800-323-8920 · FAX: +1-800-832-9538 · Tech Line (8:30AM-7:30PM E.S.T. Monday-Friday): +1-800-824-3005

**Leviton Manufacturing of Canada, Ltd.**  
 165 Hymus Boulevard, Pointe Claire, Quebec H8R 1E9 · Telephone: +1-800-469-7890 · FAX: +1-800-824-3005 · www.leviton.com/canada

**Leviton S. de R.L. de C.V.**  
 Lago Tana 43, Mexico DF, Mexico CP 11290 · Tel.: (+52)55-5082-1040 · FAX: (+52)5386-1797 · www.leviton.com.mx

Visit our Website at: [www.leviton.com](http://www.leviton.com)  
 © 2018 Leviton Manufacturing Co., Inc. Todos los derechos reservados. Subject to change without notice.

Leviton has a global presence.  
 If you would like to know where your local Leviton office is located please go to:  
[www.leviton.com/international/contacts/](http://www.leviton.com/international/contacts/)





# HUBBELL

## Twist-Lock® Devices

### 30A, 3 Phase Y 120/208V AC, 4 Pole, 5 Wire Grounding

Single Flush Receptacle

#### Features

- High-impact, abuse-resistant nylon face
- Wire restraint recess for both back and side wiring, greatly reduces the possibility of loosening the terminal connection
- Face color coding by voltage facilitates locating and mating of proper devices
- All-brass mounting and grounding system provides a lower resistance ground path and greater resistance to corrosion than steel grounding systems

#### Ordering Information

Description	Device Color	UPC	Catalog Number
Nylon face, back and	Black	783585236230	HBL2810

#### Listings

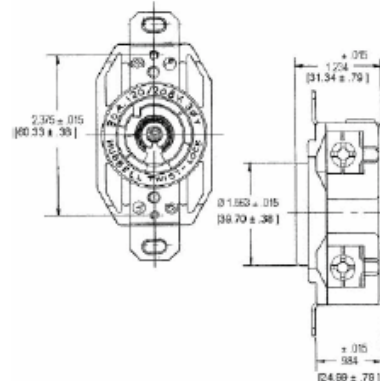
Listed to UL 498  
Fed.Spec. W-C-598  
Certified to CSA C22.2 No.42

#### Specifications

Face	Nylon
Base	Glass-Reinforced thermoplastic polyester (RTP)
Contacts	Brass
Terminal Screws	#10 - 32 Brass
Mounting Strap	Brass

#### Performance

<b>Electrical</b>	
Current Interrupting	Certified for current interrupting at full rated current
Dielectric Voltage	Withstands 2,000V minimum
<b>Mechanical</b>	
Flammability	V2 or better per UL94/CSA 22.2 No.0.17
Terminal Accommodation	#16 AWG - #8 AWG solid or stranded copper wire only.
Terminal Identification	Terminals identified in accordance with UL 498
<b>Environmental</b>	
Moisture Resistance	IP20 Suitability
Operating Temperatures	Maximum Continuous 75°C; Minimum -40°C (w/o impact)



#### Online Resources

Customer Use Drawing  
eCatalog  
Installation Instructions

#### Accessories

Plug	HBL2811
Wallplate or Weatherproof Cover	1.60" Opening SETL3
Switched Enclosure	

Dimensions in inches (mm)

Hubbell Wiring Device-Kellems • Hubbell Incorporated (Delaware) • 40 Waterview Drive • Shelton, CT 06484  
Phone (800) 298-6000 • Fax (800) 255-1031 • Specifications subject to change without notice.



# HUBBELL

Twist-Lock® Devices  
 30A, 3 Phase Y 120/208V AC, 4 Pole, 5 Wire  
 Grounding  
 Watertight Safety-Shroud® Plug



**Features**

- Ribbed nylon housing provides a secure grip and impact and chemical resistance.
- Superior cord grip design protects terminations from excess strain.
- Clear, funnel shaped wire entry for ease of termination.
- Integral dust shield protects wiring chamber from dust or contaminants.

**Ordering Information**

Description	Cord Diameter	UPC	Catalog Number
Black and white nylon.	.350"-1.150" (9-29)	783585039633	HBL2811

**Listings**

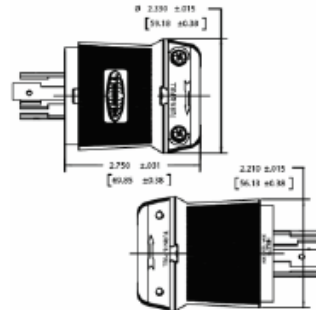
Listed to UL 498  
 Fed.Spec. W-C-596  
 Certified to CSA C22.2 No.42

**Specifications**

Housing / Cord Clamp	Nylon
Terminal Retainer	Clear polycarbonate
Blades	Brass
Terminal Screws	#10-32 Brass (Phillips / Slotted / Robertson)
Terminal Clamp	Cold rolled steel – nickel plated
Assembly Screws	Steel - nickel plated

**Performance**

<b>Electrical</b>	
Current Interrupting	Certified for current interrupting at full rated current
Dielectric Voltage	2,000V minimum
<b>Mechanical</b>	
Terminal Accommodation	#16 AWG - #8 AWG stranded copper wire only.
Terminal Identification	Terminals identified in accordance with UL 498
<b>Environmental</b>	
Flammability	HB or better per UL94/CSA 22.2 No.0.17
Moisture Resistance	IP20 Suitability
Operating Temperatures	Maximum Continuous 75°C Minimum -40°C (w/o impact)



**Accessories**

Connector	HBL2813
Single Receptacle	HBL2810
Flanged Receptacle	HBL2816
Weatherproof Boot	HBL6035

**Resources**

Customer Use Drawing  
 eCatalog

Dimensions in Inches (mm)  
 Hubbell Wiring Device-Kellems • Hubbell Incorporated (Delaware) • 40 Waterview Drive • Shelton, CT 06484  
 Phone (800) 298-6000 • Fax (800) 255-1031 • Specifications subject to change without notice.



Twist-Lock® Devices  
 30A, 3 Phase Y 120/208V AC; 4 Pole, 5 Wire  
 Grounding  
 Insulgrip® Connector

**HUBBELL**

**Features**

- Ribbed nylon housing provides a secure grip and impact and chemical resistance.
- Superior cord grip design protects terminations from excess strain.
- Clear, funnel shaped wire entry for ease of termination.
- Integral dust shield protects wiring chamber from dust or contaminants.



**Ordering Information**

Description	Cord Diameter	UPC	Catalog Number
Black and white nylon.	.35"-1.15" (9-29)	78358503965	HBL2813

**Listings**

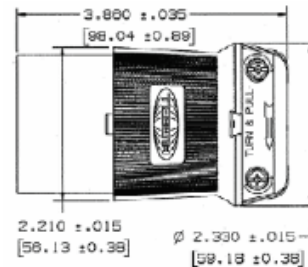
Listed to UL 498  
 Fed.Spec. W-C-598  
 Certified to CSA C22.2 No.42

**Specifications**

Housing / Cord Clamp	Nylon
Terminal Retainer	Clear polycarbonate
Contacts	Brass
Terminal Screws	#10-32 Brass (Phillips / Slotted / Robertson)
Terminal Clamp	Cold rolled steel – nickel plated
Assembly Screws	Steel - nickel plated

**Performance**

<b>Electrical</b>	
Current Interrupting	Certified for current interrupting at full rated current
Dielectric Voltage	Withstands 2,000V minimum
<b>Mechanical</b>	
Terminal Accommodation	#16 AWG - #8 AWG stranded copper wire only.
Terminal Identification	Terminals identified in accordance with UL 498
<b>Environmental</b>	
Flammability	HB or better per UL94 or CSA 22.2 No. 0.6
Operating Temperatures	Maximum Continuous 75°C Minimum -40°C (w/o impact)



**Accessories**

Plug	HBL2811
Weatherproof Boot	HBL8036
Flanged Inlet	HBL2815
Weatherproof Boot	HBL8035

**Resources**

Customer Use Drawing  
 eCatalog

Dimensions in Inches (mm)

Hubbell Wiring Device-Kellems • Hubbell Incorporated (Delaware) • 40 Waterview Drive • Shelton, CT 06484  
 Phone (800) 298-6000 • Fax (800) 255-1031 • Specifications subject to change without notice.





# **APPENDIX C**

## **Plumbing Fixtures Cutsheets**





# APPENDIX D

## Other Equipment Cutsheets









# High Speed Oven

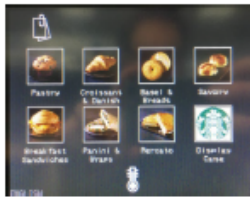
## eikon® e2s Starbucks Exclusive

“Starbucks” Exterior



Finished in RAL 9011- Semi Matt Textured finish

“Starbucks” User Interface



### Standard Features

- Accelerated Cooking Technology® combines three heat technologies:
  - Microwave
  - Convection
- Ventless cooking capabilities through built-in catalytic converter
- Rapid cooking up to 20times faster than a conventional oven
- 12" cavity in a 14" width footprint
- Cool to touch exterior
- Very easy to clean sealed cavity with large rounded edges
- Convection fan setting, 10-100% in 1% increments
- Quiet operation
- easyTouch®, icon driven touchscreen controls
- Easy access front mounted air filter
- USB memory stick data transfer of up to 1,024 cooking profiles
- In-built diagnostic testing
- Stainless steel cavity and casework
- Fits on a 23.6" (600mm) worktop

### Starbucks Model Deviations

- Microwave systems have had an increase to 100uF capacitors on both high voltage circuits. *Increased MW power*
- Single catalytic converter fitted to the upper impinging air flow path covering only half of the outlet. No lower catalyst fitted. *Reduced Airflow restrictions*
- Lower air flow holes to heat the cook plate reduced from 3 rows to 2 rows (65 Holes) *Reduced Lower Airflow, but increased Upper airflow*
- Tuned impingement system fitted with composite Mica/Teflon upper Impinger plate. *Reduced upper impingement by pass*
- Oven cook plate manufactured from 304 Series stainless steel in 12 Gauge. *Reduced Underside contact/browning*
- Connectivity solution to accommodate the Guardian module system, KCCM fitted internally. Mount and connection via USB and Ethernet on rear *Born Digital - StarbucksConnectivity*

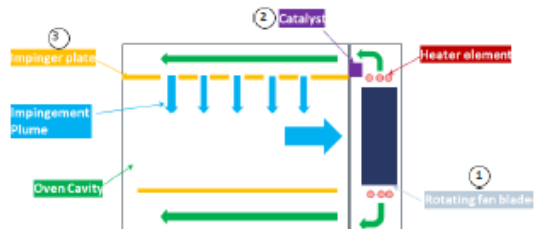
### Specification

The eikon® e2s is the first choice for anyone who wants to prepare fresh, hot food on demand where space is at a premium.

The eikon® e2s is the ideal way to cook, toast, grill, bake and regenerate a wide range of fresh or frozen foods, such as sandwiches, pastries, pizzas, fish, vegetables and meat.

#### HOW IT WORKS

The convection fan pulls air in through the back of the cavity (1). This is then heated and returned to the cavity through the catalytic converter (2) and impinger plate (3) to produce an even heat pattern in the oven. This heat pattern allows food to cook evenly and produces a crisp golden finish, every time.



eikon® e2s Starbucks Exclusive

Ashbourne House, The Guildway, Old Portsmouth Road, Guildford, Surrey, GU3 1LR

Tel: +44(0)1483 464900

www.merrychef.com

20032



**INCLUDED ACCESSORIES**

- Flat/Flat cook plate - In 12 Gauge 304 Series Stainless Steel

**easyTouch® CONTROL SYSTEM**

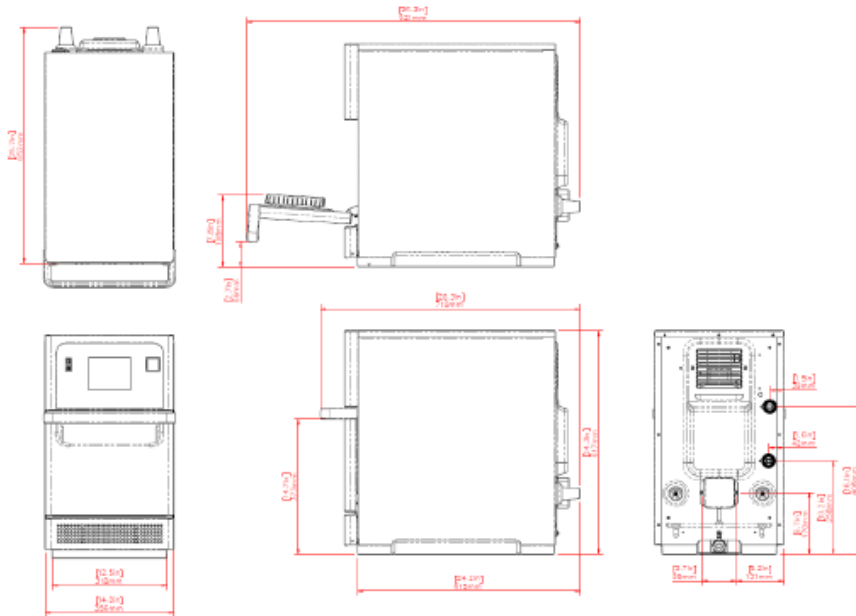
- Icon driven, color touch screen control panel with the capability of storing up to 1,024 multi-stage cooking profiles
- Each cooking profile offers up to six (6) stages with programmable cooking times, microwave power settings and user instructions for each stage
- Self diagnostics capability to monitor components
- Easy menu updates or data transfer via USB memory stick

**MICROWAVE POWER**

- Microwave settings, off or 5-100% in 1% increments
- Distribution system, rotating active antennae

**CONVECTED HEAT**

- Temperature settings OFF and from 212°F to 527°F (100° to 275°C) in 1°C steps
- Distribution system, Tuned Impingement


**DIMENSIONS**

MODEL	OVERALL SIZE			WEIGHT	
	HEIGHT	WIDTH	DEPTH	STANDARD POWER VERSION	HIGH POWER VERSION
eikon® e2s: SBUS	24.4" (620 mm)	14.0" (356 mm)	23.4" (595 mm)	NET 113 lbs. (51.3 kg) GROSS 134 lbs. (60.7 kg)	NET 134 lbs. (60.7 kg) GROSS 155 lbs. (70.4 kg)

**POWER REQUIREMENTS & OUTPUT**
**HIGH POWER VERSION**

ELECTRICAL SUPPLY					POWER OUTPUT (APPROX.)		
Voltage	Arrangement	Plug Type	Plug Current Rating per Phase*	Max. Power Input	Microwave* * (IEC 705) .100%	Convected Heat	Combination Mode
2 - 208 V / 240 V 60Hz	Two Pole	NEMA 6-30P	30A	6000 W	2000 W	2200 W	2000 W** + 2200 W

\*This is not consumption. \*\*This is approx. microwave power output.

Welbilt reserves the right to make changes to the design or specifications without prior notice.

Ashbourne House, The  
Guildway, Old Portsmouth  
Road, Guildford, Surrey,  
GU3 1LR

Tel: +44 (0)1483 464900

[www.merrychef.com](http://www.merrychef.com)

20032





# 400P Series

Self-Contained Compact Undercounter Refrigerator

400P Series Self-Contained Compact Undercounter Refrigerator - Starbucks

### Models

- 406P-STAR4 Starbucks single section refrigerator



406P-STAR4

### Standard Features

- Features Delfield's exclusive ABS Interior. ABS is extremely durable - it won't dent, chip or corrode and is backed by a limited lifetime warranty
- Stainless steel front, sides and top
- Stainless steel wire rack
- Environmentally friendly R290 refrigerant
- Foamed in place environmentally friendly, Kyoto Protocol Compliant, non ODP (ozone depletion potential), non GWP (global warming potential) polyurethane cuts energy costs
- Black recessed quick grip handle
- All units come standard hinged right and may be changed at the factory at no charge. Indicate when order is placed
- 6' cord and plug supplied
- Field reversible door
- Three year parts and labor warranty and an additional two year compressor parts warranty

### Options & Accessories

- Stainless steel back
- Plastic laminate on front
- Wire shelves
- Stainless steel single-tier overshelf
- 3.5" (8.9cm) diameter casters
- 5" (12.7cm) diameter casters
- Model 400 stacking collar adds 4" to overall combined height
- Door lock

### Specifications

Exterior top shall be one-piece, 22-gauge stainless steel with front edge turned down to form nosing and rear edge turned down.

Exterior back and bottom shall be one piece 24-gauge galvanized metal. Exterior ends shall be 22-gauge stainless steel.

Base interior shall be one-piece thermoformed ABS plastic material. Base shall be fully insulated with high-density foamed-in-place environmentally friendly, Kyoto Protocol Compliant, non ODP (ozone depletion potential), non GWP (global warming potential) polyurethane.

Door shall have a 22-gauge stainless steel exterior, with a thermoformed ABS plastic interior liner, and shall be fully insulated with foamed-in-place environmentally friendly, Kyoto Protocol Compliant, non ODP (ozone depletion potential), non GWP (global warming potential) polyurethane. Door handle shall be black, recessed ABS. Cabinet shall have stainless steel wire rack. Field reversible door.

Refrigeration system shall use R290 refrigerant. Compressor shall be 1/5 h.p., with condenser coil and hot gas condensate evaporator mounted on rear of cabinet. Evaporator coil and temperature control shall be mounted on the interior rear wall of the cabinet. Refrigerant flow shall be controlled by a capillary tube. Cabinet shall maintain 36°F to 40°F (2°C to 4°C) interior cabinet temperature. NSF7 certified for open and packaged food.

Electrical connections shall be 115 volt, 60 Hertz, single phase. Unit shall have a 6' (1.8m) long electrical cord and NEMA 5-15P plug. Cord and plug shall be located on rear of cabinet, 16" (41cm) above floor, 5" from the left side.

Casters: Equipment is mounted on 2.00" (5cm) diameter swivel front locking plate casters. Rear casters are fixed. Equipment clearance above the floor is 2.50" (6cm).

Installations: Unit will arrive in a 30.5"x29.5"x40.25" package. Uncrate the unit, roll it into place and plug it in.



980 S. Isabella Rd.  
Mt. Pleasant, Michigan 48858

Phone: 800-733-8048 or 989-773-7981  
Fax: 800-669-0619

[www.delfield.com](http://www.delfield.com)

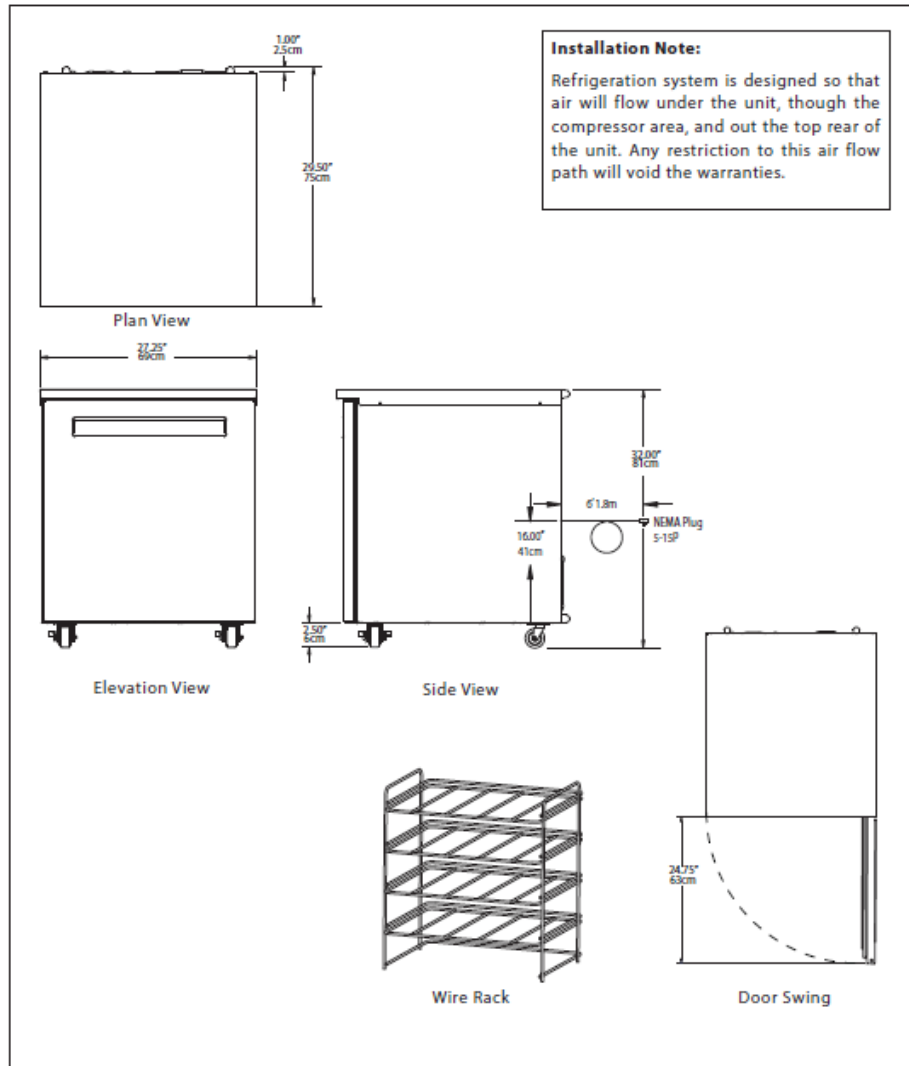


12618





400P Series Self-Contained Compact Undercounter Refrigerator



**Installation Note:**  
Refrigeration system is designed so that air will flow under the unit, though the compressor area, and out the top rear of the unit. Any restriction to this air flow path will void the warranties.

Specifications							
Model	Volume	Ship Weight	H. P.	Volts Phase	Amps	HVAC Load	NEMA Plug
406P-STAR4	5.7ft <sup>3</sup> .16m <sup>3</sup>	168lbs 76kg	1/5	115/60/1	4.0	1430BTU/h 322W	5-15P

Delfield reserves the right to make changes to the design or specifications without prior notice.

980 S. Isabella Rd.  
Mt. Pleasant, Michigan 48858

Phone: 800-733-8048 or 989-773-7981  
Fax: 800-669-0619  
www.delfield.com

Printed in the U.S.A.  
5883\_DEL\_406PPSTAR4  
05/15



12618



# **APPENDIX E**

## **Material Finishes Documentation**





# Product Data Sheet



TIGER Drylac U.S.A., Inc. | 3855 Swenson Avenue | St Charles, IL | T 800 243 8148 | F 877 926 8148 | office.us@tiger-coatings.us | www.tiger-coatings.us

## SERIES 38 – SUPER DURABLE

Polyester TGIC super durable powder coating compliant to AAMA 2604 with excellent weather resistance properties for high performance architectural exterior applications.

### Typical Applications

- Metal façades.
- Steel constructions.
- Stadium seating and railings.
- Residential windows and doors.
- Patio furniture and garden equipment.
- Railings.
- Playground equipment.
- Agriculture equipment.
- External ship components, communication towers, doors and railings.
- Military camouflage.

**Standard Packaging** 44 lb (20 kg) box.  
5 lb (2.5 kg) minipack.

**Specific Gravity (ASTM D792)** approximately 1.2-1.8 g/cm<sup>3</sup>  
depending on pigmentation.

**Theoretical Coverage** at 1.5 specific gravity and  
2.5 mils (60 µm) film thickness:  
**30.2 ft<sup>2</sup>/lb (9.8 m<sup>2</sup>/kg).**

Refer also to the latest edition  
of "Theoretic Powder Coating  
Coverage Chart".  
Version 00-1001 (imperial).  
Version 00-1000 (metric).

**Storage Stability** 6 months at no more than  
77 °F (25 °C).

### Features

- Excellent weather resistance.
- Excellent UV-light resistance.
- AAMA 2604\* compliant.
- 5 years South Florida exposure.
- Very smooth flow.
- Good storage stability.
- Good yellowing stability.

\* AAMA 2604-10 compliance dependent upon the color and/or effect.

### Finish and Color

- Smooth flow glossy, approximately 80-95\*.
- Smooth flow semi gloss, approximately 60±5\*.
- Smooth flow matte, approximately 20±5\*.

\* Gloss level according to ASTM 523 at 60° angle.

Available as stock product in smooth glossy, semi gloss and matte in 70 colors. It can be custom matched in limited colors (minimum order quantity and color limitation applies).



# Series 38 - Super Durable



TIGER Drylac U.S.A., Inc. | 3855 Swenson Avenue | St Charles, IL | T 800 243 8148 | F 877 926 8148 | office.us@tiger-coatings.us | www.tiger-coatings.us

## Pretreatment (alternatives)

The following table reflects the common methods of pretreatment with regards to various substrates and applications. In selecting the proper type of pretreatment the suitability of the type of powder coating for a desired application according to the guidelines on page one of this Product Data Sheet should be observed.

	Aluminum	Galvanized Steel	Steel
Degreasing	○	○	○
<sup>1)</sup> Chromating	○	○	○
<sup>2)</sup> Anodizing	○	○	○
<sup>2)</sup> Chrome free	○	○	○
Iron Phosphating			○
Zinc Phosphating		○	○
Blasting		○	○
<sup>4)</sup> Sweeping		○	○
	I E A	I E A S	I E S <sup>4)</sup>

- Interior.
- Exterior.
- Architectural.
- Steel construction.

- 1) According to ASTM B 449.
- 2) According to GSB quality and test regulations.
- 3) Only for zinc coated parts >1.8 mils (>45 µm).
- 4) For a two-coat process/TIGER Shield®.

## Processing

Corona

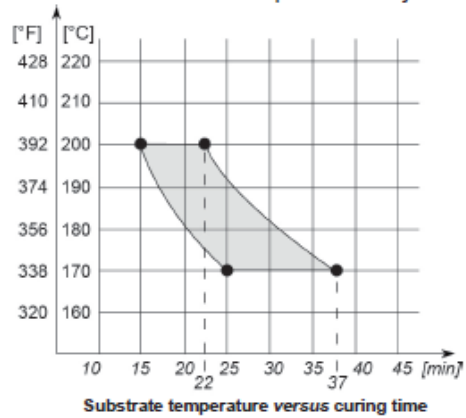
Tribo\*

\* For Tribo/Airstatic powder coatings please confirm before ordering. Suitability of metallic effects for Tribo processing must be verified prior to application. Please refer to the latest edition of the relevant Information Sheets.

Since not all powder coatings are suitable for recycling/reclaim, please verify before ordering.

## Cure Parameters (substrate temperature)

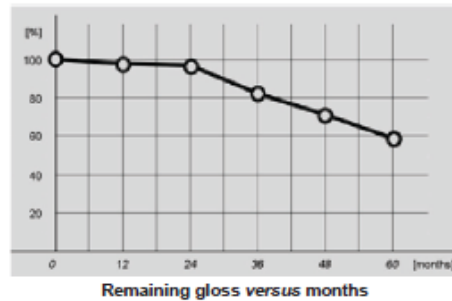
TIGER Drylac® Series 38  
Cure Parameters | Smooth Glossy



To achieve a full cure and the desired mechanical properties and weatherability the time/temperature combination must fall within the cure window.

## Weather Resistance

Florida exposure at 45° angle  
Facing South - RAL 8014



The remaining gloss values that can be expected may vary depending on the original gloss level and color. A reasonable degree of gloss loss and color variation owing to long term UV exposure should be expected.





# Series 38 - Super Durable



TIGER Drylac U.S.A., Inc. | 3855 Swenson Avenue | St Charles, IL | T 800 243 8148 | F 877 928 8148 | office.us@tiger-coatings.us | www.tiger-coatings.us

## Please Note

Top coating with a clear exterior grade powder coating over an interior grade powder coating does not result into a weather resistant coating system.

Post-bending properties of any part must be verified prior to application. Minor cracks in the coated surface may lead to corrosion.

Joint sealants and any other auxiliary products, such as glazing aids, gliding waxes, drilling and cutting lubricants, which come in contact with the coated surface must be pH-neutral and free of substances that may damage the finish. Therefore, a suitability test at the applicator's end, prior to coating, is highly recommended.

In general, colors in the red, orange and yellow range may require an increased film thickness to achieve full hiding.

Any post-mechanical processing of already coated parts, such as sawing, drilling, milling, cutting and bending will result in damage of the coated surface and will subsequently weaken the corrosion protection.

Please read and understand the Material Safety Data Sheet (MSDS) before use.

## Test Results

Results are checked on 1/64 inch (0.7 mm) thick yellow chromated aluminum test panel. Cure conditions are according to the cure curves. When used as a two-coat system, the increase in film thickness will result in a decrease of mechanical properties.

Test results	Test method	Series 38 Smooth Glossy
Film thickness	ISO 2360	2.5-3.5 mils (60-80 µm)
Gloss - 60°	ASTM D523	80-95+
Cross hatch adhesion test	ASTM D3359 Method B	5B
Mandrel bending test	ASTM D522	1/8 inches (3 mm).
Impact test	ASTM D2794	Up to 80 in/lb. Cracking at the perimeter of the concave area but no cracking pick off.
Pencil hardness	ASTM D3363	2H minimum.
Weathering	EN 20105 - A02	≥4
Light fastness	EC ISO 105 - B02	≥Grade7
Humidity resistance 3,000 hours	ASTM D2247	Maximum undercutting 1/32 inches (1 mm).
Acid salt spray resistance 2,000 hours	ASTM G85 Annex A5	Maximum undercutting 1/32 inches (1 mm).
<b>5 years Florida exposure</b>		
Color change	ASTM D2244	≤Δε 5.0 (Hunter).
Gloss retention	ASTM D523	>80%

Cleaning recommendations: Refer to the latest edition of TIGER "Cleaning Recommendations" information sheet, Version 00-1005.



# Series 38 - Super Durable



TIGER Drylac U.S.A., Inc. | 3855 Swenson Avenue | St. Charles, IL | T 800 243 8148 | F 877 926 8148 | office.us@tiger-coatings.us | www.tiger-coatings.us

## Special Applications

Objects directly exposed to salt/fog conditions in a marine environment or need heavy corrosion protection must be coated with TIGER Shield® system. Refer to the latest editions of TIGER Drylac® Product Data Sheets.

## Chemical Resistance

The required chemical resistance of a powder coating depends, among other things, on its formulation. Chemical resistance requirements must be considered according to processing conditions and final use of the finished product. This is best established during the product specification process. Agreement between all parties involved must be reached about the requirements for such chemical resistance as well as the test method, which may be performed in accordance with PCI test method #8 "Solvent Cure Test". Furthermore, the test duration and concentration of the test media need to be agreed upon.

As part of TIGER Drylac® product information program, Product Data Sheets are updated periodically. It is recommended to always check for the latest editions on TIGER's website. TIGER's verbal and written recommendations for the use of its products are based upon experience and in accordance with current technological standards. These are given in order to support the buyer or user. They are non-committal and do not create any additional commitments to the purchase agreement. They do not release the buyer from verifying the suitability of TIGER products for the intended application. This Product Data Sheet supersedes all previous Product Data Sheet versions and notes published in relation to this product.

Certified according to  
ISO 9001 | 14001

TIGER Drylac U.S.A., Inc.  
3855 Swenson Avenue  
St Charles, IL 60174, USA  
T 800 243 8148  
F 877 926 8148  
E office.us@tiger-coatings.us  
W www.tiger-coatings.us

