



*Turning the Ordinary into the Extraordinary*

[www.PivotCorp.com](http://www.PivotCorp.com)



**PVC10-SBUX-CAFE-POS3**

**Starbucks® Cart Café Series**

**POS Cart**

*Version 4.0*

**Product Guide**

**January 1, 2023**



# Table of Contents

Cart Overview .....	5
Cart Construction.....	6
UL Certification.....	7
Specifications .....	8
Front View.....	8
Rear View .....	8
Left View.....	9
Right View.....	9
Top View .....	9
Equipment Plan .....	10
Summary Guide for Equipment.....	11
Material Finishes .....	12
Powder Coat .....	12
Countertops.....	12
Veneers .....	12
Cart Utilities .....	13
Electrical.....	13
Interior Layout.....	15
Lighting .....	16
Pre-Requisites & Site Preparation.....	17
Shipping.....	18
Installation.....	19
LIMITED WARRANTY.....	20
<b>APPLICABLE WARRANTY PERIOD.....</b>	20
<b>TERMINATION OF WARRANTY .....</b>	20
<b>OBTAINING WARRANTY SERVICE .....</b>	20
<b>EXCLUSIONS .....</b>	21
<b>EXCLUSIVE REMEDY; CONSEQUENTIAL DAMAGES DISCLAIMER .....</b>	22
<b>NO AUTHORIZATION.....</b>	22
<b>WARRANTY DISCLAIMER.....</b>	22
<b>STATUTE OF LIMITATIONS.....</b>	23
<b>DISPUTE RESOLUTION AND LIMITATION OF LITIGATION .....</b>	23
<b>MISCELLANEOUS .....</b>	24



APPENDIX A .....	25
Beverage Air UCR48AHC .....	27
PIVOT Menu .....	29
APPENDIX B .....	31
APPENDIX C.....	33
APPENDIX D .....	35
APPENDIX E.....	37
Powder Coat .....	39
Daltile Quartz .....	43

**PROPRIETARY AND CONFIDENTIAL INFORMATION. 2023 PIVOT LLC. All rights reserved. Other company and product names mentioned herein are property of their respective owners. The contents of this publication are subject to change without notification and are the property of and cannot be reproduced without the written permission of PIVOT LLC. The contents of this publication are not a commitment by PIVOT LLC to provide the products and services described.**



## Cart Overview

The PVC10-SBUX-CAFE-POS3 Cart manufactured by PIVOT measures approximately 34 inches wide by 108 inches in length (9 feet) by 96 inches in height (8 feet) and weighs approximately 1,314 lbs (dry weight – not crated).

This Cart features a signature box canopy with a beautiful hardwood veneer.



This PVC10-SBUX-CAFE-POS1 is designed to be a Front Line Cart complementing additional Carts to form a Starbucks® Cart Café. This Cart is specifically designed to form an Enhanced Starbucks Cart Café with 2 Front Line Carts and 2 Rear Line Carts.

This Cart is packed with features.

- Undercounter 48-inch refrigerator
- Double POS Station
- Menu boards on both sides
- 2 dry Locking Storage cabinets with shelves
- LED Ceiling Lights
- Furniture-Grade Oak Veneer – Updatable
- Beautiful 3D LED illuminated signage – Starbucks® Siren on the right side (Operator Facing)
- Quartz Countertop
- PIVOT's Power Management System – simply plug into an available convenience outlet
- Premium powder-coated metal Construction
- UL Listed – US & Canada
- A Turnkey *plug 'n play* solution



## Cart Construction

The PVC10-SBUX-CAFE-POS3 Cart is manufactured with a base construction of Steel and Aluminum. This is in comparison to many other Carts that are constructed of wood, steel frame or plastic.

PIVOT's base construction provides an optimal platform for durability, functionality, portability and product life. These materials also provide this Cart with a CLASS A Flame Spread rating and is perfect for all environments.



Another huge advantage of the PIVOT Cart base construction is that **100%** of the **WASTE** when manufacturing this Cart is **100% RECYCLABLE**. After a long product life cycle, this Cart can also be refurbished and re-deployed to enjoy another complete life cycle, saving our natural resources and your hard-earned dollars. When it eventually comes time to retire, 100% of the structure of this Cart can be recycled to offer great sustainability of our natural resources.

All steel and aluminum components are powder coated satin black for beauty and ease of maintenance. This type of base construction provides the best platform for durability, long lasting functionality and cleanliness in the wet, harsh and high-volume environment of a Starbucks® store.

The strong base construction is softened by beautiful Furniture-Grade natural Oak wood veneers to give this Cart the unmistakable premium Starbucks® look and feel. Daltile Quartz countertops provide lasting beauty and superior functionality.

All PIVOT Carts come with premium, non-marking, industrial wheels designed to easily support the weight of the Cart as well as provide many years of maintenance free service. These wheels are affixed onto PIVOT's base structure comprised of 11-gauge steel to provide uncompromising performance in high volume commercial environments.

These Carts come pre-installed with all Utilities and undercounter equipment from the factory for a turn-key store package.



## UL Certification

The PVC10-SBUX-CAFE-POS3 Cart is UL Listed in both the United States and Canada.



You can find PIVOT's listing on the UL Directory under our file number KNNS.E475132 for the United States and KNNS7.E475132 for Canada, or by following these links (or copy and paste them into your favorite internet browser).

### **UNITED STATES**

[http://database.ul.com/cgi-bin/XYV/template/LISEXT/1FRAME/showpage.html?name=KNNS.E475132&ccnshorttitle=Custom-built+Food+Service+Equipment&objid=1084945455&cfgid=1073741824&version=versionless&parent\\_id=1073989156&sequence=1](http://database.ul.com/cgi-bin/XYV/template/LISEXT/1FRAME/showpage.html?name=KNNS.E475132&ccnshorttitle=Custom-built+Food+Service+Equipment&objid=1084945455&cfgid=1073741824&version=versionless&parent_id=1073989156&sequence=1)

### **CANADA**

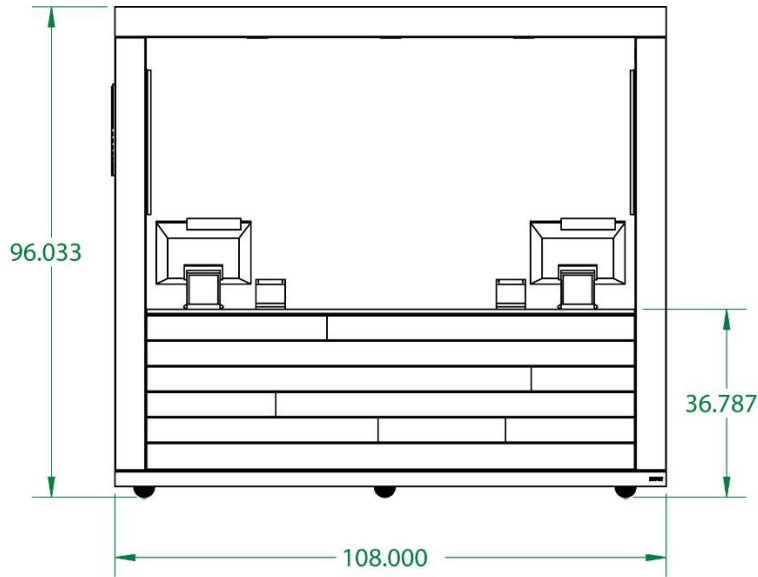
[http://database.ul.com/cgi-bin/XYV/template/LISEXT/1FRAME/showpage.html?name=KNNS7.E475132&ccnshorttitle=Custom-built+Food+Service+Equipment+Certified+for+Canada&objid=1084945460&cfgid=1073741824&version=versionless&parent\\_id=1073989158&sequence=1](http://database.ul.com/cgi-bin/XYV/template/LISEXT/1FRAME/showpage.html?name=KNNS7.E475132&ccnshorttitle=Custom-built+Food+Service+Equipment+Certified+for+Canada&objid=1084945460&cfgid=1073741824&version=versionless&parent_id=1073989158&sequence=1)



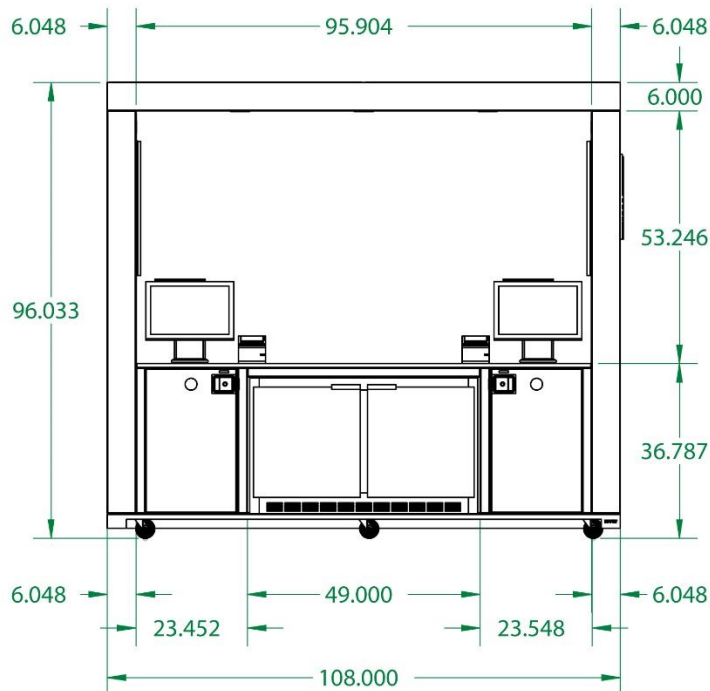
## Specifications

The PVC10-SBUX-CAFE-POS3 Cart measures approximately 34 inches wide by 108 inches in length (9 feet) by 96 inches in height (8 feet). Exact dimensions are shown below.

### Front View

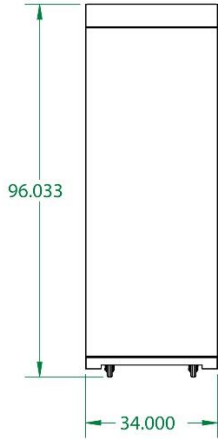


### Rear View

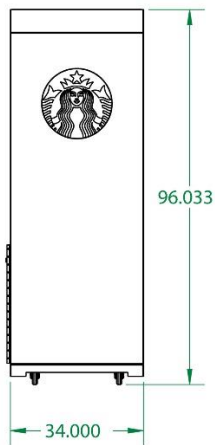




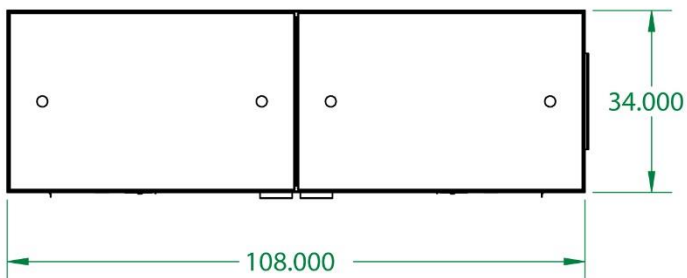
Left View



Right View



Top View

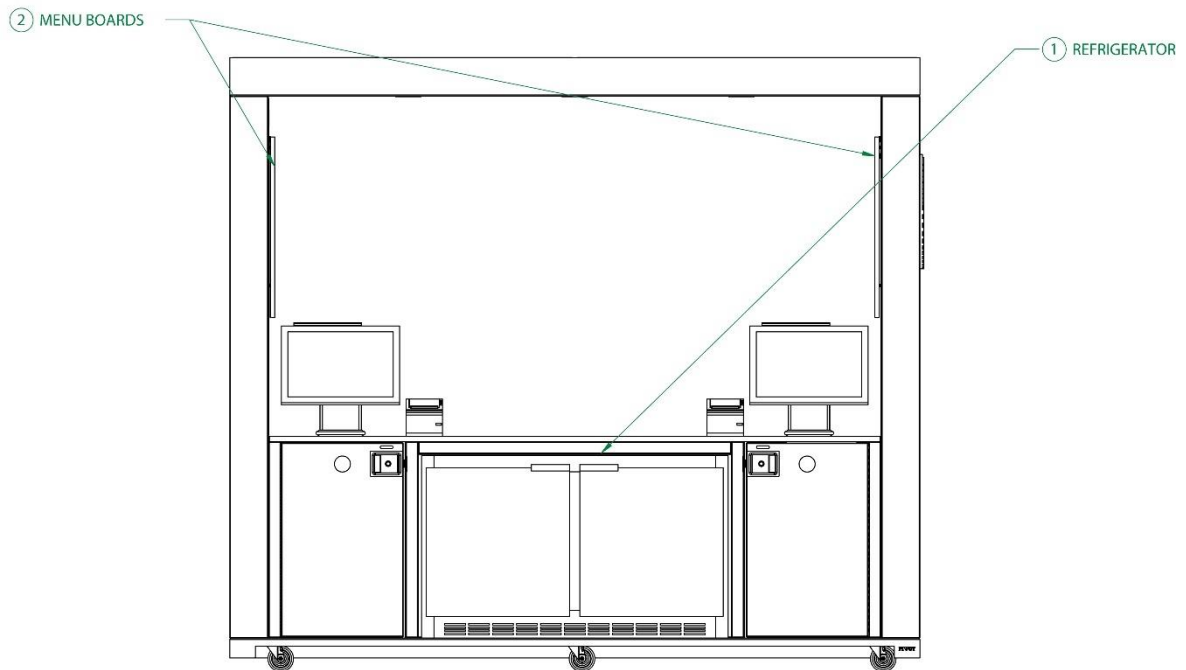


## Equipment Plan

The PVC10-SBUX-CAFE-POS3 Cart is complemented with the best commercial equipment as required by Starbucks®. This equipment includes:

- Beverage Air 48-inch Undercounter Refrigerator (Model# UCR48AHC)
- QTY 2 PIVOT Menu Boards

EQUIPMENT PLAN	
①	Beverage Air UCR48A Undercounter Refrigerator
②	Menu Boards



Please note that all equipment cutsheets are located in Appendix A (Equipment Cutsheets).



## Summary Guide for Equipment

Outlined below is a Summary Guide for all equipment for the PVC10-SBUX-CAFE-POS3 Cart.

Please note the following:

- Included in Cart – This equipment comes included and installed in the PIVOT Cart.
- Included in Equipment Package – This equipment is required by the Starbucks® Cart and can be purchased in the Equipment Package through PIVOT.
- Starbucks® – This equipment must be purchased separately and is not included in either the Cart or the Equipment Package by PIVOT. This must be purchased and provided directly by Starbucks®.

Equipment	Category	DID#	Included in Cart	Included in Equip. Pkg.	Starbucks
Bev Air UCR48A	Refrigerator	PIVOT	✓		
Menu Board	Signage	PIVOT	✓		
Menu Board	Signage	PIVOT	✓		

**Note:** ☼ Customer must order this directly from Starbucks®. Please note that any equipment or option not explicitly listed above is not included with the Cart or Equipment Package.



## **Material Finishes**

The PVC10-SBUX-CAFE-POS3 Cart incorporates the best material finishes in the industry to provide many years of beauty and performance. PIVOT Carts are well known for its low cost of maintenance and durability.

### **Powder Coat**

PIVOT powder coats all metal surfaces to ensure a lasting and quality finish. Power coat is extremely durable, as well as washable, making it the perfect finish for high volume concession environments.

This Cart is powder coated with a high quality “Series 38-Super Durable” exterior grade satin finish. This powder coat is manufactured by Tiger Drylac.

Please find detailed Product Specifications in Appendix E (Material Finishes Documentation) of this Product Guide.

### **Countertops**

This Cart comes standard with a Daltile Quartz countertop. This premium, solid surface countertop is beautiful and extremely durable.

The standard color for this Cart is Ash Grey (shown to the right).

Please find detailed Product Specifications in Appendix E (Material Finishes Documentation) of this Product Guide.



### **Veneers**

PIVOT Carts are designed with an innovative Veneer system that adds beauty and value to your Cart. Veneers are set in an aluminum frame and affixed to the Cart with a proprietary hanging system. This hanging system utilizes a keyhole design to allow the Veneer frame to be easily removed and installed. An integrated locking system ensures the Veneer stays in place until you would like to remove it.

The Veneer that comes standard with this Cart is a beautiful Furniture-Grade natural Oak hardwood lightly stained and finished with lacquer to provide a beautiful yet durable surface.



## Cart Utilities

The PVC10-SBUX-CAFE-POS3 Cart comes with utilities pre-installed at the factory. These utilities include: Electric.

### Electrical

The electrical for this Cart simply consists of PIVOT's Power Management system. This system consists of a Power-In Module and a Power-Distribution Module. Simply plug a conventional extension cord into PIVOT's Power-In Module (a 25-foot extension Cord is provided with the Cart) and the other side into a conventional 120V 15AMP convenience outlet to power this Cart up.

The PIVOT Power-In Module is bolted to the Cart's baseplate on the inside of the Cart behind a locking door. Simply run a properly sized extension cord up through the access hole in the baseplate and plug the female end of the extension cord into the male flange receptacle of this Module. An indicator light on this Module will light GREEN indicating that this Cart has power. Locking the door will prevent any unauthorized access to this Module.



The PIVOT Power-In Module is connected to the PIVOT Power-Distribution Module to supply power to the various equipment of the Cart. This Module has illuminated toggle switches in the front, receptacles in the back and a fused circuit breaker. Simply plug each piece of equipment into the receptacles located in the back of the Module. Each receptacle is controlled by its corresponding toggle switch. To turn the receptacle (and

equipment) on, simply engage the toggle switch. The toggle switch with light GREEN indicating that the power is on.

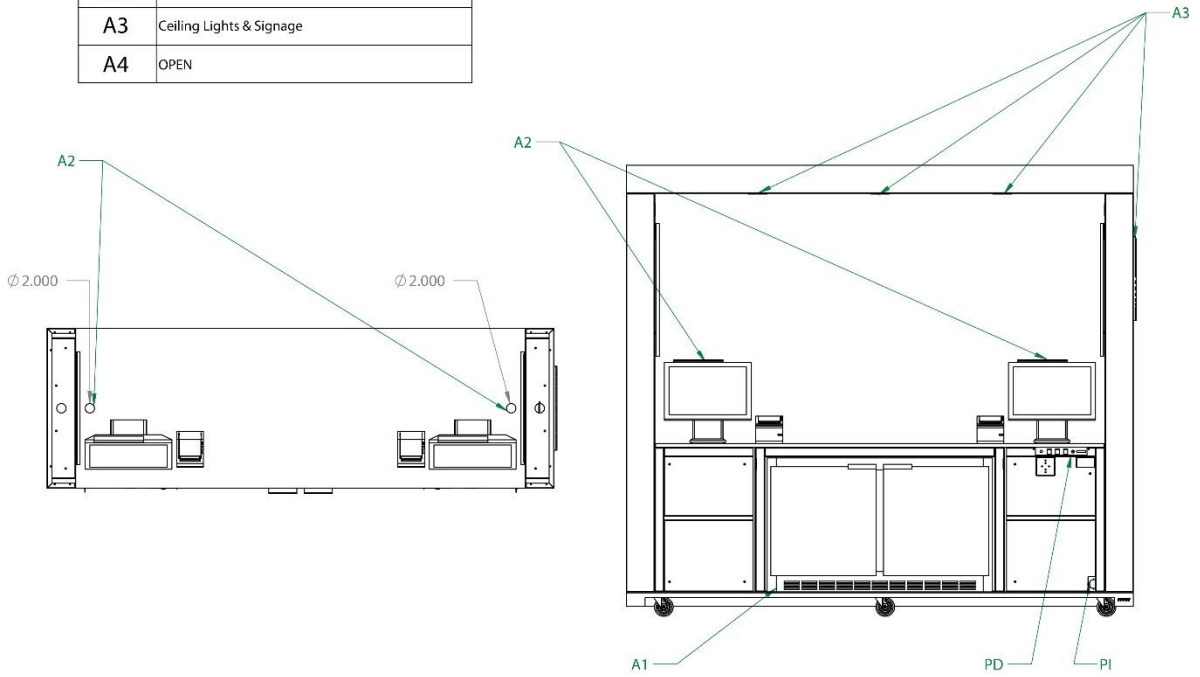
A Power Indicator Light has replaced the toggle switch in the first position of the PIVOT Power-Distribution Module to provide dedicated and uninterrupted power to the refrigerator. Please note that the refrigerator is plugged into this first position at the factory.

The refrigerator cord must be unplugged from the back of the PIVOT Power-Distribution Module to turn the refrigerator off.



# Electrical Plan

ELECTRICAL PLAN	
PI	PIVOT POWER IN MODULE - 15AMPS - SUPPLIED 12AWG CORD - PLUGS INTO AVAILABLE 15AMP OUTLET
PD	PIVOT POWER DISTRIBUTION MODULE - 4 OUTLET
A1	Beverage Air UCR48 Refrigerator
A2	POS
A3	Ceiling Lights & Signage
A4	OPEN



## Interior Layout



Shown above is an interior view of the Cart (Cart with the doors suppressed).

The interior of the Cart is divided into 3 compartments. The compartments from left to right are as follows.

- Storage Compartment
- Refrigerator Compartment
- Storage Compartment (also contains PIVOT's Power Management System)



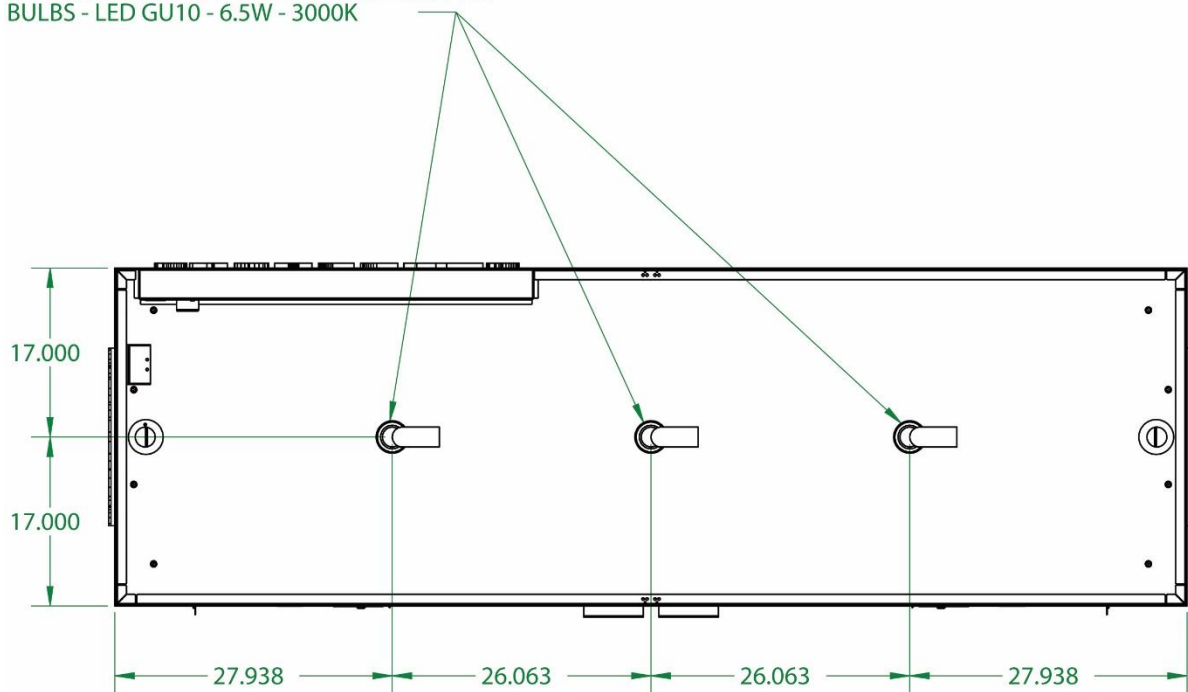
## Lighting

The PVC10-SBUX-CAFE-POS3 Cart contains 3 LED recessed ceiling lights. These lights are 120V AC and accept GU10 bulbs. The bulbs supplied with this Cart are LED GU10 6.5W (60-Watt equivalent) 3000K.

The lighting in this Cart is extremely efficient with only a total of 19.5 Watts of energy consumption.

### Lighting Plan

RECESSED CEILING LIGHT FIXTURES - 120V AC  
BULBS - LED GU10 - 6.5W - 3000K





## **Pre-Requisites & Site Preparation**

The only pre-requisite and site preparation for the PVC10-SBUX-CAFE-POS3 Cart is the availability of a 120V 15AMP convenience outlet.



## Shipping

PIVOT can provide shipping of the PVC10-SBUX-CAFE-POS3 Cart to the store location.

There are multiple shipping options available:

- Common Freight/FTL - Dock to Dock
- Common Freight/FTL - Installer Offload
- PIVOT Trailer Delivery

Please contact PIVOT for more information.

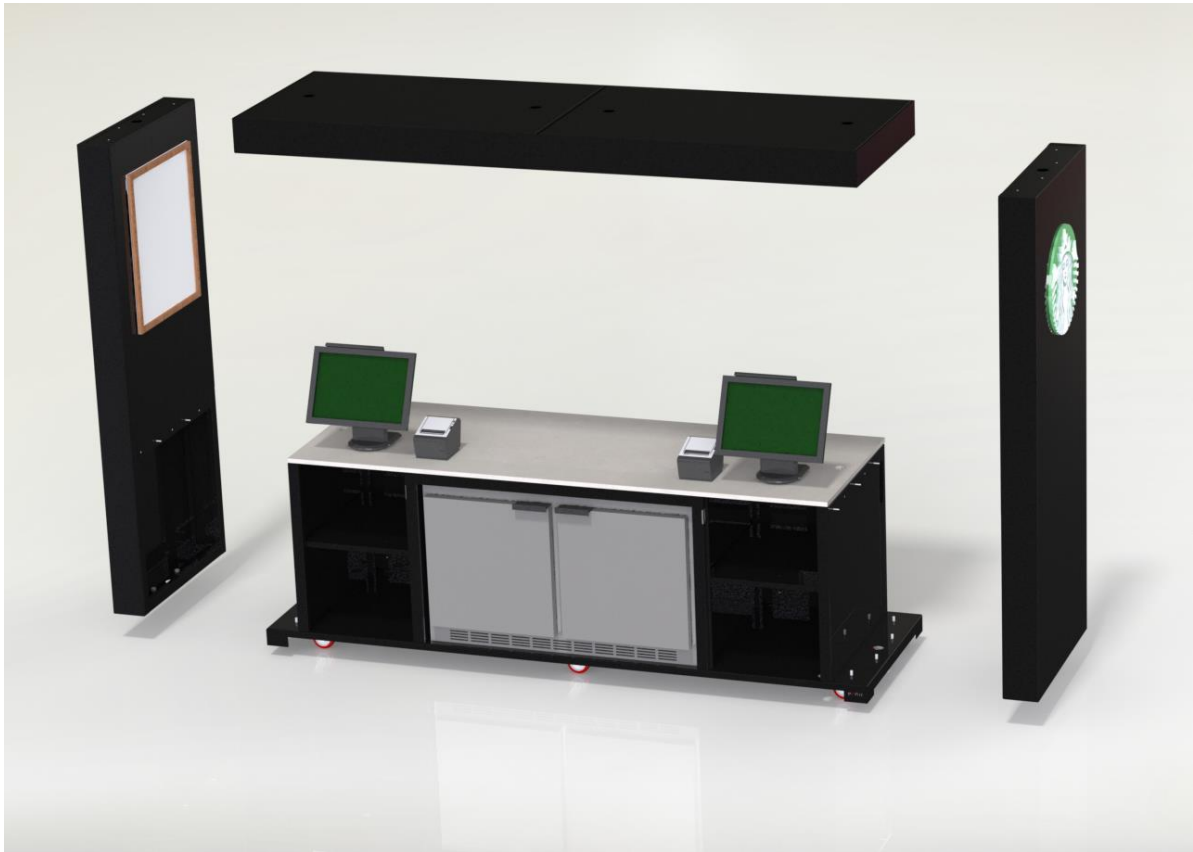


## Installation

The PVC10-SBUX-CAFE-POS3 Cart comes in fully assembled components for an extremely easy installation. These components are listed below.

- Main Unit
- Left Support Wing for Box Canopy
- Right Support Wing for Box Canopy
- Canopy Top Crown for Box Canopy

Installation time is less than 1 hour with 2 people.



## **LIMITED WARRANTY**

PIVOT LLC (“PIVOT”) warrants to the original purchaser (“Purchaser”) that it will repair or replace components of the Products (as defined in the Master Product Sales Agreement) manufactured by PIVOT (except for components not warranted under “Exclusions”) that are defective in material or workmanship under normal interior use and service (“Defects”). PIVOT’s obligation under this warranty is limited to the repair or replacement, at PIVOT’s option, of the applicable components. This limited warranty shall only apply to Defects that are reported to PIVOT within the applicable warranty period and which, upon examination by PIVOT, prove to be defective. This warranty extends only to the first purchaser of a product, and is not transferable or assignable.

### **APPLICABLE WARRANTY PERIOD**

The applicable warranty period, measured from the date of delivery to the original purchaser, shall be as follows:

- a) Two (2) years for all PIVOT Products and components (except for the products and components listed in (b), (c) and (d), and except for components not warranted under “Exclusions”), including baseplate structures, chassis structures, doors, locks, wheels and level glides.
- b) One (1) year for all LED components including LED Drivers, Strip Lights, Fixtures and Modules.
- c) One (1) year for all signage.
- d) One (1) year for all veneers.

In PIVOT’s reasonable discretion, PIVOT shall make the determination of how to correct any Defect covered by this Limited Warranty. If PIVOT opts to replace an item, replacement components will be substantially comparable to the items replaced, subject to availability (identical colors and other features may not be available.) If PIVOT elects to repair the defective item, PIVOT will correct the Defect in such a manner as to restore the item to substantially the same conditions, which would have existed had the Defect not been present. PIVOT shall have no liability for work performed by Purchaser or Purchaser’s agents or for the cost thereof. No action to correct any Defect shall extend the duration of this Limited Warranty.

### **TERMINATION OF WARRANTY**

The limited warranty shall immediately terminate if the Product is removed from the original installation site.

### **OBTAINING WARRANTY SERVICE**

Warranty service must be obtained through either PIVOT or an authorized dealer in the PIVOT product line for which warranty service is requested. PIVOT may be



contacted for warranty service inquiries or issues via email at [warranty@pivotcorp.com](mailto:warranty@pivotcorp.com), through the PIVOT website at [www.pivotcorp.com](http://www.pivotcorp.com), by phone at (404) 671-9326, by facsimile at (404) 671-9325, or by mail to PIVOT, ATT: WARRANTY DEPT, 851 Hickory Flat Hwy, Canton, Georgia 30115.

It is the purchaser's obligation to arrange for delivery of a Product to PIVOT or one of its authorized dealers for warranty service, which delivery shall be at purchaser's expense. It is also the purchaser's obligation to comply with the warranty service instructions provided either by PIVOT or its authorized dealer. If the Product was purchased from an authorized dealer and not directly from PIVOT, the purchaser must provide PIVOT with completed warranty registration information within thirty (30) days after purchase in order to obtain the benefits of this warranty.

### EXCLUSIONS

This Limited Warranty does not cover third party equipment, sinks, faucets, and plumbing accessories. Any warranties on these items are extended directly by the manufacturer of these items to the original purchaser. Information on these manufacturers' warranties will be enclosed with the applicable products. Also, PIVOT will furnish copies of any of the warranties extended by any such manufacturers upon request.

This Limited Warranty does not cover and PIVOT shall not be liable for:

- 1) defects, damage, or other conditions caused, in whole or in part, by misuse, abuse, negligence, alteration, accident, freight damage, tampering, or failure to seek and obtain repair or replacement in a timely manner;
- 2) matching of color, grain, or texture except to commercially acceptable standards;
- 3) changes in color caused by natural or artificial light;
- 4) products which are not installed, used, and properly cleaned and maintained as required in the PIVOT "Installation" and/or "Installation/Operation" Manual for the applicable product;
- 5) products considered to be of a consumable nature, such as light bulbs and surge suppression products;
- 6) accessories or parts not manufactured by PIVOT;
- 7) charges by anyone (including PIVOT's authorized dealers) for adjustments, repairs, replacement parts, installation, or other work performed upon or in connection with such products which are not expressly authorized in writing in advance by PIVOT; and
- 8) costs and expenses of routine maintenance and cleaning; and
- 9) representations and warranties made by any person or entity other than PIVOT.
- 10) This Limited Warranty does not cover consumer products for the purpose of the Magnuson-Moss Warranty Act. 15 U.S.C. Sec. 2301 et seq. including without limitation, any refrigerator, freezer, range, oven, dishwasher, garbage disposal, exhaust fan, thermostat, equipment, doors, sinks, water heater, or



any of the appliances, equipment, fixtures, finishes, or similar items, except as may be required by any statutory warranty. All such items covered by a manufacturer's and supplier's warranties covering such consumer products are assigned to the Purchaser. PIVOT is not in any way, responsible or liable for the performance under any manufacturer's or supplier's warranties.

- 11) This Limited Warranty does not cover routine maintenance, normal wear and tear, or conditions resulting from unreasonable use, misuse, negligence, and/or failure to provide reasonable and necessary maintenance in a timely manner.
- 12) This Limited Warranty does not cover maintenance items, defects resulting from improper maintenance, failure to maintain, misuse, abuse or failure of PIVOT to follow operating or care instructions.
- 13) This Limited Warranty does not cover defects in workmanship or materials supplied during the construction phase by anyone other than the PIVOT, its agents, employees and subcontractors acting on behalf of PIVOT.
- 14) This Limited Warranty does not cover defects or damage resulting from fires, floods, storms, the elements, electrical malfunctions, power outages, accidents or acts of God.
- 15) Any damage as a result of shipping, loading, unloading, moving or installation.

#### **EXCLUSIVE REMEDY; CONSEQUENTIAL DAMAGES DISCLAIMER**

PIVOT'S ONLY OBLIGATION UNDER THIS LIMITED WARRANTY IS THE REPAIR OR REPLACEMENT OF DEFECTIVE PARTS. PIVOT SHALL NOT BE LIABLE FOR AND HEREBY DISCLAIMS ANY DIRECT, SPECIAL, INDIRECT, INCIDENTAL, EXEMPLARY, OR CONSEQUENTIAL DAMAGES OR DELAYS, INCLUDING, BUT NOT LIMITED TO, DAMAGES FOR LOSS OF PROFIT OR INCOME, LOSS OF USE, DOWNTIME, COVER, AND EMPLOYEE OR INDEPENDENT PIVOT WAGES, PAYMENTS, AND BENEFITS.

#### **NO AUTHORIZATION**

No person or firm is authorized to create or approve for PIVOT any other obligation or liability in connection with the products.

#### **WARRANTY DISCLAIMER**

THIS LIMITED WARRANTY IS PIVOT'S ONLY WARRANTY AND IS IN LIEU OF ALL OTHER WARRANTIES, EXPRESS OR IMPLIED. PIVOT MAKES NO IMPLIED WARRANTIES OF ANY KIND INCLUDING ANY IMPLIED WARRANTIES OF MERCHANTABILITY OR FITNESS FOR A PARTICULAR PURPOSE. THIS WARRANTY IS LIMITED TO THE REPAIR OR REPLACEMENT OF DEFECTIVE PARTS. ALL IMPLIED WARRANTIES ARE LIMITED IN DURATION TO THE PERIOD OF THIS LIMITED WARRANTY



## STATUTE OF LIMITATIONS

No Claim (defined below) may be brought against PIVOT for breach of this limited warranty, an implied warranty, if any, or for any other claim arising out of or relating to the products, more than ninety (90) following expiration of the limited warranty period. In the event multiple warranty periods exist with respect to a product, the ninety (90) day period provided for herein shall begin to run from expiration of the warranty period for the component to which the claim relates.

## DISPUTE RESOLUTION AND LIMITATION OF LITIGATION

a. Agreement to Avoid Litigation. PIVOT and Purchaser agree to encourage the amicable resolution of disputes involving PIVOT's performance under this Limited Warranty, without the emotional and financial costs of litigation. Accordingly, each party hereto agrees that their claims, grievances or disputes (hereinafter referred to as "Claims" or "Claim") shall be resolved using the procedures set forth below. Any party having a Claim ("Claimant") against the other party ("Respondent") (collectively, the "Parties") shall notify the Respondent in writing (the "Notice") stating plainly and concisely; (1) the nature of the Claim, including the Persons involved and Respondents role in the Claim; (2) the legal basis of the Claim (i.e., the specific authority out of which the Claim arises); (3) the Claimant's proposed remedy; and that the Claimant will meet with the Respondent to discuss in good faith ways to resolve the Claim.

b. Negotiations and Mediations. The Parties shall make every reasonable effort to meet in person and confer for the purpose of resolving the Claim by good faith negotiation. If the Parties do not resolve the Claim within 60 days of the date of the Notice (or within such other period as may be agreed upon by the Parties)(the "Termination of Negotiations"), Claimant shall have 30 additional days to submit the Claim to mediation to JAMS ([www.jamsadr.com](http://www.jamsadr.com)), who is an independent agency performing dispute resolution services in the metropolitan Atlanta area. The Parties shall divide the cost of the mediation, with each party paying half of the costs. If Claimant does not submit the Claim to mediation within 30 days after Termination of Negotiations, or does not appear for mediation, Claimant shall be deemed to have waived the Claim, and Respondent shall be released and discharged from any and all liability to Claimant on account of such Claim. Any settlement of the Claim through mediation shall be documented in writing by the mediator. If the Parties do not settle the Claim within 30 days after submission of the matter to the mediation process, or within such time as determined by the mediator, the mediator shall issue a notice of termination of the mediation proceedings (the "Termination of Mediation"). The Termination of Mediation notice shall set forth that the Parties are at an impasse and the date that the mediation was terminated.

c. Final and Binding Arbitration. Claimant shall have 15 days after the Termination of Mediation to submit the Claim to arbitration in accordance with O.C.G.A. §9-9-1. et. Seq., and the arbitration shall take place in metropolitan Atlanta, Georgia. Claimant will pay the cost of any filing fees for the arbitration. The arbitration shall be conducted by and in accordance with the rules and procedures promulgated by the Construction Arbitration Associates, Ltd. ("CAA"). In the event the CAA is unavailable



of unable to arbitrate the Claim, the Parties may agree to another professional arbitrator appointed in accordance with O.C.G.A. § 9-9-1 et. seq. If the Claim is not timely submitted to arbitration or if the Claimant fails to appear for the arbitration proceeding, the Claim will be deemed abandoned, and Respondent shall be released and discharged from any and all liability to Claimant arising out of such Claim. This subsection (c) is an agreement to arbitrate and is specifically enforceable under the applicable arbitration laws of the State of Georgia. The arbitration award (the "Award") shall be final and binding, and judgment may be entered upon it in any court of competent jurisdiction to the fullest extent permitted under the laws of the State of Georgia.

d. Cost. The Claimant shall pay any filing fees for the arbitration. Each party shall pay the fees and expense of its own counsel.

### MISCELLANEOUS

a. This Limited Warranty is not renewable. Purchaser's rights and obligations under the Limited Warranty are personal and not transferable. This Limited Warranty may not be assigned or transferred upon resale or lease of the Property.

b. Purchaser's sole remedy under this Limited Warranty is the repair or replacement of any Defect. In no event, shall PIVOT's total liability hereunder exceed the purchase price of the PIVOT deliverables. The liability of Purchaser hereunder is expressly limited to the repair and replacement of the Defects. No responsibility is assumed for any secondary or consequential damage resulting from or arising out of any defect and nothing in this warranty shall render the Purchaser liable in any respect for any injury or damage to any persons or property by reason of any defects to the PIVOT's Property.

c. This Limited Warranty constitutes the entire agreement between Purchaser and PIVOT with respect to the subject matter hereof, and no representations, inducements, promises or agreements, oral or otherwise, not expressly set forth herein shall be of any force of effect. This Limited Warranty shall be governed by the laws of the State of Georgia.





# **APPENDIX A**

## **Equipment Cutsheets**







**BEVERAGE-AIR**

Project: _____	AIA# _____
Item: _____	
Location: _____	SIS# _____
Approved: _____	

**UCR UNDERCOUNTER**  
 UCR48AHC Undercounter Refrigerator  
 Hydrocarbon Series

MODELS:  
 UCR48AHC

UCR48AHC Undercounter Refrigerator: Food Prep Series



UCR48AHC

**3 Year Parts/Labor Warranty**  
**Additional 2 Year Compressor Warranty**

**CABINET CONSTRUCTION**

- Stainless steel front, sides, top, doors, (galvanized steel back & bottom)
- Interior liner is made of corrosion resistant aluminum
- Full electronic control
- Undercounter feature a 1/2" thick sub-top
- Interior thermometer is standard
- Self-closing doors with 120° stay-open feature, on cartridge style hinges
- Easy door removal for service and cleaning
- Magnetic gasket attached to each door for positive seal
- Painted aluminum door handles
- 6" Casters, 2 with brakes standard
- Four (4) epoxy-coated steel wire shelves standard
- Field reversible doors
- Maintains product temperature between 36°F and 38°F

**OPTIONS & ACCESSORIES**

- Stainless steel back and grille
- Stainless steel interior
- Right or left hinged door
- Locks (solid doors only)
- Bun rack
- Wire shelf divider
- Thermometer digital or stem type dial
- 3" Casters or 6" legs
- Low profile casters
- Remote option

**REFRIGERATION SYSTEM**

- Refrigeration system uses R290 refrigerant to comply with all environmental concerns
- Automatic, non-electric defrost
- Epoxy coated evaporator coil



3779 Champion Blvd., Winston-Salem, NC 27105  
 1-888-845-9800 Fax: 1-336-245-6453  
 Beverage-Air.com sales@bevalr.com

Specifications are subject to change without prior notice. Rev. 1/19





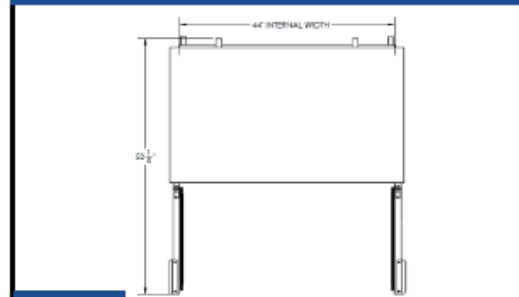
# BEVERAGE-AIR

MODEL	UCR48AHC
<b>EXTERNAL DIMENSIONAL DATA</b>	
Width Overall	48"
Depth Overall	32"
Height Overall with 6" casters	34 5/8"
Number of Doors	2
Depth with Door Open 90°	52 1/4"
Door Opening (In)	19 5/8" x 21 5/8"
<b>INTERNAL DIMENSIONAL DATA</b>	
NET Capacity (cubic ft.)	11.82
Internal Width Overall (In)	44"
Internal Depth Overall (In)	23 1/2"
Internal Depth Useable (In)	Upper 18 1/2" Lower 15 3/8"
Internal Height Overall (In)	23"
Internal Height Useable (In)	16"
Number of Shelves	4
<b>ELECTRICAL DATA</b>	
Full Load Amperes 115/60/1	2.2
<b>REFRIGERATION DATA</b>	
Horsepower	1/6
Capacity (BTU/Hr)*	1094
<b>WEIGHT DATA</b>	
Gross Weight (Crated lbs)	252 lbs
Height - Crated	36"
Width - Crated	51"
Depth - Crated	32"

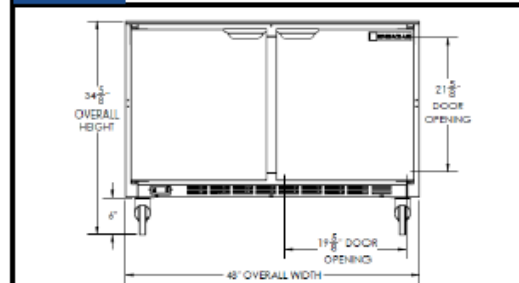
## Undercounter Refrigerators

Models: UCR48AHC

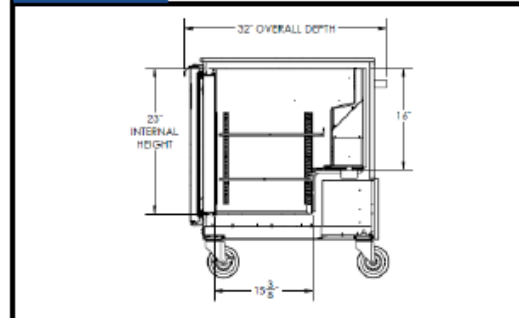
### Model Views



Plan View



Elevation View



Side View

### ELECTRICAL CONNECTION



115/60/1  
NEMA-5-15P

Units pre-wired at factory and include 8' long cord and plug set.



an AAI Group Company

Rev. 10/18

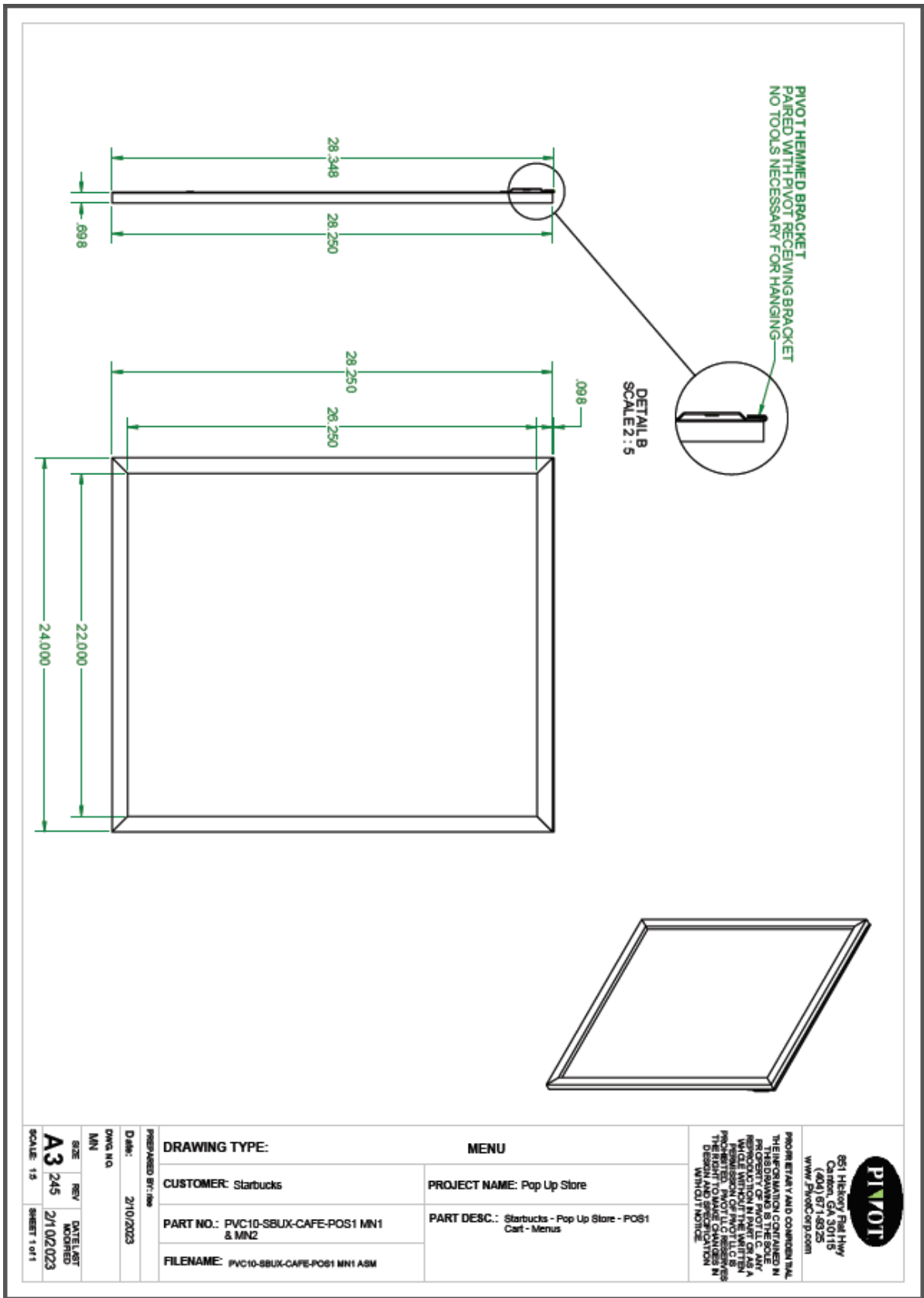


The Spirit of Excellence

3779 Champion Blvd., Winston-Salem, NC 27105  
1-888-845-9800 Fax: 1-336-245-6453  
Beverage-Air.com sales@beva.com



**PIVOT Menu**



<b>DRAWING TYPE:</b> MENU		<b>PROJECT NAME:</b> Pop Up Store	
<b>CUSTOMER:</b> Starbucks		<b>PART DESC.:</b> Starbucks - Pop Up Store - POS1 Cart - Menu	
<b>PART NO.:</b> PVC10-SBUX-CAFE-POS1 MN1 & MN2		<b>FILENAME:</b> PVC10-SBUX-CAFE-POS1 MN1 ASM	
PREPARED BY: JAW DATE: 2/10/2023 DWG. NO. MN1 SIZE: A3 REV: 245 DATE/REV: 2/10/2023 SCALE: 1:5 SHEET: 1 of 1			
851 Helsey Rd Hwy Canton, GA, 30115 (404) 671-9825 www.PivotCorp.com			





# APPENDIX B

## Utility Cutsheets







# **APPENDIX C**

## **Plumbing Fixtures Cutsheets**





# APPENDIX D

## Other Equipment Cutsheets





# **APPENDIX E**

## **Material Finishes Documentation**





# Product Data Sheet



TIGER Drylac U.S.A., Inc. | 3855 Swenson Avenue | St Charles, IL | T 800 243 8148 | F 877 928 8148 | office.us@tiger-coatings.us | www.tiger-coatings.us

## SERIES 38 – SUPER DURABLE

Polyester TGIC super durable powder coating compliant to AAMA 2604 with excellent weather resistance properties for high performance architectural exterior applications.

### Typical Applications

- Metal façades.
- Steel constructions.
- Stadium seating and railings.
- Residential windows and doors.
- Patio furniture and garden equipment.
- Railings.
- Playground equipment.
- Agriculture equipment.
- External ship components, communication towers, doors and railings.
- Military camouflage.

**Standard Packaging** 44 lb (20 kg) box.  
5 lb (2.5 kg) minipack.

**Specific Gravity (ASTM D792)** approximately 1.2-1.8 g/cm<sup>3</sup>  
depending on pigmentation.

**Theoretical Coverage** at 1.5 specific gravity and  
2.5 mils (60 µm) film thickness:  
**30.2 ft<sup>2</sup>/lb (9.8 m<sup>2</sup>/kg).**

Refer also to the latest edition  
of "Theoretic Powder Coating  
Coverage Chart".  
Version 00-1001 (imperial).  
Version 00-1000 (metric).

**Storage Stability** 6 months at no more than  
77 °F (25 °C).

### Features

- Excellent weather resistance.
- Excellent UV-light resistance.
- AAMA 2604\* compliant.
- 5 years South Florida exposure.
- Very smooth flow.
- Good storage stability.
- Good yellowing stability.

\* AAMA 2604-10 compliance dependent upon the color and/or effect.

### Finish and Color

- Smooth flow glossy, approximately 80-95\*.
- Smooth flow semi gloss, approximately 60±5\*.
- Smooth flow matte, approximately 20±5\*.

\* Gloss level according to ASTM 523 at 60° angle.

Available as stock product in smooth glossy, semi gloss and matte in 70 colors. It can be custom matched in limited colors (minimum order quantity and color limitation applies).



# Series 38 - Super Durable



TIGER Drylac U.S.A., Inc. | 3855 Swenson Avenue | St Charles, IL | T 800 243 8148 | F 877 926 8148 | office.us@tiger-coatings.us | www.tiger-coatings.us

## Pretreatment (alternatives)

The following table reflects the common methods of pretreatment with regards to various substrates and applications. In selecting the proper type of pretreatment the suitability of the type of powder coating for a desired application according to the guidelines on page one of this Product Data Sheet should be observed.

	Aluminum	Galvanized Steel	Steel
Degreasing	○	○	○
<sup>1)</sup> Chromating	○	○	○
<sup>2)</sup> Anodizing	○	○	○
<sup>2)</sup> Chrome free	○	○	○
Iron Phosphating			○
Zinc Phosphating		○	○
Blasting		○	○
<sup>4)</sup> Sweeping		○	○
	I E A	I E A S	I E S <sup>4)</sup>

- Interior.
- Exterior.
- Architectural.
- Steel construction.

- 1) According to ASTM B 449.
- 2) According to GSB quality and test regulations.
- 3) Only for zinc coated parts >1.8 mils (>45 µm).
- 4) For a two-coat process/TIGER Shield®.

## Processing

Corona

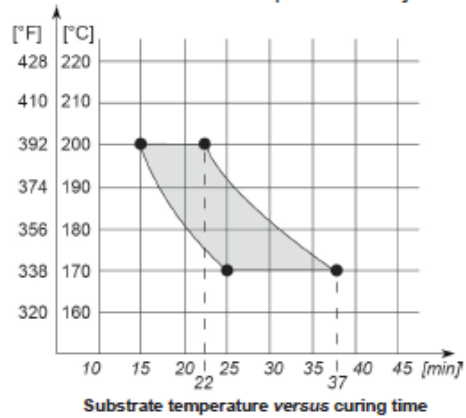
Tribo\*

\* For Tribo/Airstatic powder coatings please confirm before ordering. Suitability of metallic effects for Tribo processing must be verified prior to application. Please refer to the latest edition of the relevant Information Sheets.

Since not all powder coatings are suitable for recycling/reclaim, please verify before ordering.

## Cure Parameters (substrate temperature)

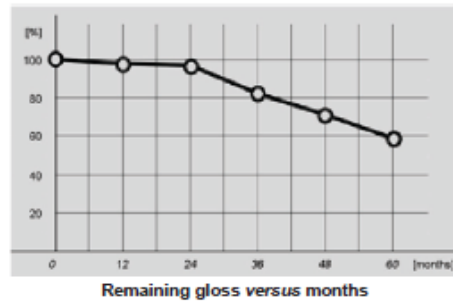
TIGER Drylac® Series 38  
Cure Parameters | Smooth Glossy



To achieve a full cure and the desired mechanical properties and weatherability the time/temperature combination must fall within the cure window.

## Weather Resistance

Florida exposure at 45° angle  
Facing South - RAL 8014



The remaining gloss values that can be expected may vary depending on the original gloss level and color. A reasonable degree of gloss loss and color variation owing to long term UV exposure should be expected.





# Series 38 - Super Durable



TIGER Drylac U.S.A., Inc. | 3855 Swenson Avenue | St Charles, IL | T 800 243 8148 | F 877 928 8148 | office.us@tiger-coatings.us | www.tiger-coatings.us

## Please Note

Top coating with a clear exterior grade powder coating over an interior grade powder coating does not result into a weather resistant coating system.

Post-bending properties of any part must be verified prior to application. Minor cracks in the coated surface may lead to corrosion.

Joint sealants and any other auxiliary products, such as glazing aids, gliding waxes, drilling and cutting lubricants, which come in contact with the coated surface must be pH-neutral and free of substances that may damage the finish. Therefore, a suitability test at the applicator's end, prior to coating, is highly recommended.

In general, colors in the red, orange and yellow range may require an increased film thickness to achieve full hiding.

Any post-mechanical processing of already coated parts, such as sawing, drilling, milling, cutting and bending will result in damage of the coated surface and will subsequently weaken the corrosion protection.

Please read and understand the Material Safety Data Sheet (MSDS) before use.

## Test Results

Results are checked on 1/64 inch (0.7 mm) thick yellow chromated aluminum test panel. Cure conditions are according to the cure curves. When used as a two-coat system, the increase in film thickness will result in a decrease of mechanical properties.

Test results	Test method	Series 38 Smooth Glossy
Film thickness	ISO 2360	2.5-3.5 mils (60-90 µm)
Gloss - 60°	ASTM D523	80-95+
Cross hatch adhesion test	ASTM D3359 Method B	5B
Mandrel bending test	ASTM D522	1/8 inches (3 mm).
Impact test	ASTM D2794	Up to 80 in/lb. Cracking at the perimeter of the concave area but no cracking pick off.
Pencil hardness	ASTM D3363	2H minimum.
Weathering	EN 20105 - A02	≥4
Light fastness	EC ISO 105 - B02	≥Grade7
Humidity resistance 3,000 hours	ASTM D2247	Maximum undercutting 1/32 inches (1 mm).
Acid salt spray resistance 2,000 hours	ASTM G85 Annex A5	Maximum undercutting 1/32 inches (1 mm).
5 years Florida exposure		
Color change	ASTM D2244	≤Δε 5.0 (Hunter).
Gloss retention	ASTM D523	>80%

Cleaning recommendations: Refer to the latest edition of TIGER "Cleaning Recommendations" information sheet, Version 00-1005.



# Series 38 - Super Durable



TIGER Drylac U.S.A., Inc. | 3855 Swenson Avenue | St. Charles, IL | T 800 243 8148 | F 877 926 8148 | office.us@tiger-coatings.us | www.tiger-coatings.us

## Special Applications

Objects directly exposed to salt/fog conditions in a marine environment or need heavy corrosion protection must be coated with TIGER Shield® system. Refer to the latest editions of TIGER Drylac® Product Data Sheets.

## Chemical Resistance

The required chemical resistance of a powder coating depends, among other things, on its formulation. Chemical resistance requirements must be considered according to processing conditions and final use of the finished product. This is best established during the product specification process. Agreement between all parties involved must be reached about the requirements for such chemical resistance as well as the test method, which may be performed in accordance with PCI test method #8 "Solvent Cure Test". Furthermore, the test duration and concentration of the test media need to be agreed upon.

As part of TIGER Drylac® product information program, Product Data Sheets are updated periodically. It is recommended to always check for the latest editions on TIGER's website. TIGER's verbal and written recommendations for the use of its products are based upon experience and in accordance with current technological standards. These are given in order to support the buyer or user. They are non-committal and do not create any additional commitments to the purchase agreement. They do not release the buyer from verifying the suitability of TIGER products for the intended application. This Product Data Sheet supersedes all previous Product Data Sheet versions and notes published in relation to this product.

Certified according to  
ISO 9001 | 14001

TIGER Drylac U.S.A., Inc.  
3855 Swenson Avenue  
St Charles, IL 60174, USA  
T 800 243 8148  
F 877 926 8148  
E office.us@tiger-coatings.us  
W www.tiger-coatings.us







CONCRETE LOOK



CONCRETE LOOK



LINCOLN WHITE NQ50



HERITAGE GREIGE OQ50



ASH GREY NQ60\*



CABRINI GREY NQ51



ARMOR GREY OQ58



MERCER GREY NQ52



LUDLOW TAN NQ55



COLUMBUS BROWN NQ56



CONCRETE GREY NQ87

 Made in U.S.A. with imported material.

\*Material also stocked in Honed finish



**PRODUCT INFORMATION**

Finishes	Actual Size	Thickness
Polished	<b>DOMESTIC COLORS</b> 135-7/8" x 78-5/4" (345 cm x 200 cm)	1-1/4" (3 cm) & 3/4" (2 cm)
	<b>IMPORTED COLORS</b> Please reach out to local stone center for size details on all sourced products. Slab sizes vary.	

Custom slab finishes in semi-polished, honed and leather are available by special order. Not all colors available in alternative finishes. Please contact your local slab center for availability.

**INSTALLATION**

**Shade Variation**



Medium (V2)

**NOTES**

ONE Quartz Surfaces products are nonporous, reducing the potential for bacteria growth, resist common food stains and are stronger than natural granite.  
 ONE Quartz Surfaces products are virtually maintenance free.  
 ONE Quartz Surfaces products contain natural quartz stone providing consistent color and visual movement. A wide range of color options allow for more design freedom.  
 ONE Quartz Surfaces products have a durable, scratch-resistant surface.  
 ONE Quartz Surfaces products are heat and scorch-resistant under normal cooking conditions (use of a trivet is recommended for longer or extreme heat exposure).  
 Visit [daltile.com/countertops-product-category/one-quartz](http://daltile.com/countertops-product-category/one-quartz) for additional polished, semi-polished, honed and leather finish details.  
 Twenty-Five year limited warranty.  
 Visit [daltile.com/countertops-product-category/one-quartz](http://daltile.com/countertops-product-category/one-quartz) for details.  
 Fifteen-year limited warranty on imported materials.  
 Visit [daltile.com/countertops-product-category/one-quartz](http://daltile.com/countertops-product-category/one-quartz) for details.  
 White thin-set or mortar is recommended for the lighter colors of ONE Quartz Surfaces tiles.  
**WARNING:** This product can expose you to chemicals known to the State of California to cause cancer, including crystalline Silica (airborne particles of respirable size) in dust created if the product is dry cut/ground/polished or pulverized during fabrication/ installation/removal. For more information, go to [www.P65Warnings.ca.gov](http://www.P65Warnings.ca.gov).  
 For information refer to "Factors to Consider" at [daltile.com/Factors](http://daltile.com/Factors).

**APPLICATIONS**

	Target DCOF <sup>wet</sup>	Suitable
Dry & Level – Interior Floor	N/A	
Wet & Level – Interior Floor	≥ 0.42	
Shower Floors (Residential or Light Commercial)	≥ 0.42	
Exterior Floor Applications (Including pool decking & other wet areas with minimal footwear)	≥ 0.60	
Ramps & Inclines	≥ 0.65	
Walls/Backsplashes	N/A	✓
Countertops	N/A	✓
Pool Linings	N/A	

ONE Quartz Surfaces do not meet minimum coefficient of friction thresholds recommended by safety standard-setting organizations. Water, oil, grease, etc., create slippery conditions. Floor applications with exposure to these conditions require extra caution in product selection.

**APPLICATION NOTES**

Quartz not suitable for exterior applications due to small resin content. The sun will etch the material.

**SLAB PERFORMANCE CHARACTERISTICS**

	Test Method	Average Result*
Abrasion Wear Index	ASTM C501	≥ 135
Bulk Specific Gravity	ASTM C97	≤ 2500 kg / cubic meter
Chemical Resistance	ASTM C650	Resistant to typical household cleaners
Coefficient of Thermal Expansion	ASTM C531	≤ 4.0 • 10 <sup>-4</sup> °C <sup>-1</sup>
Flexural Strength	ASTM C880	≥ 35 MPa
Water Absorption	ASTM C97	≤ 0.10%
Scratch Resistance (Mohs Hardness)	ASTM C1895	≥ 5
Stain Resistance	ANSI Z124.6	Pass
Thermal Shock Resistance	ASTM C484	Pass – No Effect

\* Custom testing results by color are available upon request.



Fifteen Year Limited Warranty, visit [daltile.com](http://daltile.com) for complete warranty details.\*

\*Sourced SKUS



Twenty Five Year Commercial Limited Warranty, visit [daltile.com](http://daltile.com) for complete warranty details.



Lifetime Residential Limited Warranty, visit [daltile.com](http://daltile.com) for complete warranty details.\*

\*Made in the USA with imported material.



MADE IN THE USA WITH IMPORTED MATERIAL.



To See Approved Colors Made in the USA With Imported Material, Please Check The Below Link:  
[info.daltile.com/Certified-Food-Listings.asp?Company=CD55](https://info.daltile.com/Certified-Food-Listings.asp?Company=CD55)

7854 C.F. Hearn Freeway, Dallas, Texas 75217 | 1.800.933.TILE

To view the complete collection of Daltile® products and information, visit our website at [daltile.com](http://daltile.com).



To See Approved Colors Made in the USA With Imported Material, Please Check The Below Link:  
<https://spoil.daltile.com/track-app?product=quartz&keywords=ONE+Quartz+Surface>



IMAGINE WHAT'S POSSIBLE®  
 ©2022 Daltile 7/22



## SAFETY DATA SHEET PRODUCT SERIES: ONE QUARTZ™ COLLECTION

### 1. PRODUCT IDENTIFICATION

Common Name: Slab  
 Synonyms: Slab and Wares  
 Manufacturer Name: Dal-Tile Corporation  
 Headquarters Office  
 7834 C.F. Hawn Freeway, Dallas, TX 75217  
 Address: Environmental, Health and Safety Department  
 Richard Ray - (214) 309-4295  
 Recommended Use: Building Material - Slab products manufactured by Dal-Tile Corporation are environmentally preferable building materials when compared to some other products. As defined by guidelines issued by the Environmental Protection Agency, the American Society for Testing & Materials, and the Federal Trade Commission, Slabs are one of the most environmentally friendly building materials you can buy today. Should you desire additional information, please direct your inquiry to the address above.

This document has been prepared in accordance with the Occupational Safety and Health Administration (OSHA) Hazard Communication standard, 29 Code of Federal Regulations (CFR) 1910.1200(g), Safety Data Sheets.


### 2. HAZARDS IDENTIFICATION

Slab products are mixtures of silica, natural occurring minerals, and resin that have been mixed and cured at low temperature. Respiratory, hand and eye protection may be needed to prevent excess exposure to airborne particulates if dust is produced by cutting Slabs during installation or if dust is produced by any other operations, including fabrication, demolition/removal projects.

Emergency Overview: Danger! Lung Injury and Cancer Hazard  
 GHS Classification (Global Harmonized Standard Classification):  
 Carcinogenicity Category 1A (H350)  
 Specific target organ toxicity, single exposure; Respiratory tract irritation - Category 3 (H335)  
 Specific target organ toxicity, repeated exposure - Category 1A (H372)

GHS Label, Hazards and Precautionary Statements  
 GHS Pictogram:

Crystalline Silica:  Category 3 (Respiratory tract irritation) (H335)

 Categories 1A(Carcinogenicity)(H372)

Label Signal Word: Danger

Hazard Statements:  
 (H350) May cause CANCER (Inhalation)  
 (H335) May cause respiratory irritation  
 (H372) Causes damage to organs (lung/respiratory) through prolonged or repeated exposure (Inhalation)



## 2. HAZARDS IDENTIFICATION (CONT.)

Do not handle until all safety precautions have been read and understood. (P202)

Do not breathe dust/spray. (P260 + P261)

Wash skin thoroughly after handling. (P264)

Do not eat, drink or smoke when using this product. (P270)

Wear protective gloves, protective clothing, eye protection, face protection. (P280)

### Precautionary Statements:

Do not handle/install until all safety precautions have been read and understood. (P202)

Do not breathe dust/spray. (P260 + P261)

Wash skin thoroughly after handling/installing. (P264)

Do not eat, drink or smoke when handling/installing this product. (P270)

Wear protective gloves, protective clothing, eye protection, face protection when handling/installing this product. (P280)

### Potential Health Effects:

Inhalation: Do not breathe dust. See "Health Hazards" in Section 11 for more details.

## 3. COMPOSITION/INFORMATION ON INGREDIENTS

Slab products are made of silica, other naturally-occurring minerals, and resin that have been mixed and cured at low temperatures.

Slabs are manufactured in various shapes, sizes, and colors.

These products do not contain asbestos.

Under normal conditions these products do not release hazardous materials after installation and are not considered hazardous waste should disposal be necessary.

Composition	CAS# / EINECS#	Estimated % by Wt.	EU Class
Crystalline silica	CAS: 7631-86-9 / EINECS: 238-878-4	46-52	(67/548/EEC) Xn R48/20

## 4. FIRST AID MEASURES

Eyes: Immediately flush eyes with large amounts of water for at least 15 minutes if dust gets in eyes. Get medical attention if irritation persists.

Skin: Wash thoroughly after working with slab dust.

Inhalation: Remove to fresh air if exposed to large amounts of Slab dust. Administer artificial respiration if breathing has stopped. Keep victim at rest. Call for prompt medical attention.

Ingestion: Not applicable for intact Slabs.

Have emergency eyewash station available in area where Slabs are cut.

## 5. COMPOSITION/INFORMATION ON INGREDIENTS

Flash Point (Method Used): Not applicable

Autoignition Temperature: Not applicable

Flammable Limits (% by Volume in Air): LEL - Not applicable  
UEL - Not applicable

Fire Extinguishing Media: ABC Extinguisher

Special Fire Fighting Procedures: None required

Fire and Explosion Hazards: None

Flame Spread: Class 1

## 6. ACCIDENTAL RELEASE MEASURES

Avoid creating excessive slab dust. Clean up dust using a vacuum system with a High-efficiency particulate (HEPA) air filter vacuum or damp sweeping. See Section 8 of this SDS concerning PPE information for clean-up.





## 7. HANDLING AND STORAGE

Do Not Dry Cut using motorized equipment due to potential exposure to Harmful Silica Dust. Use wet cutting methods to reduce generation of dust. When cutting, grinding or removing, use equipment with integral dust collection and/or use local exhaust ventilation. Use respiratory protection in the absence of effective engineering controls.  
Do not store near acids. If Slabs contact some acids, damage/discoloration to the surface may occur.  
Shelf life is unlimited.

## 8. EXPOSURE CONTROLS / PERSONAL PROTECTION

### 8.1 EXPOSURE TABLE

Composition	OSHA PEL	NIOSH IDLH	ACGIH TLV*	Units
Crystalline silica				
- respirable fraction	0.05	0.05	0.025	mg/m <sup>3</sup>
- total dust**	15	N.E.	N.E.	mg/m <sup>3</sup>

\* 2017 Edition, respirable fraction to be determined as per Appendix D of ACGIH TLV.

\*\* Covered as particles not otherwise regulated per OSHA and particles not otherwise classified per ACGIH.

N.D. - Not determined

N.E. - Not established

### 8.2 EXPOSURE CONTROLS/PERSONAL PROTECTION

**Ventilation:** Use adequate ventilation during installation and/or removal to keep exposure to dust below recommended exposure levels. Avoid inhalation of dust. The highest probability of silica exposure occurs during installation using dry cutting methods or during removal of installed tile. Do Not Dry Cut using motorized equipment due to potential exposure to Harmful Silica Dust. Use wet cutting methods to reduce generation of dust.

**Respiratory Protection:** Use of a properly fitted NIOSH/MSHA approved particulate respirator is recommended when cutting tiles for installation or during the removal of installed tile.

**Eye Protection:** Use dust-proof goggles or safety glasses with side shields. Contact lenses may absorb irritants. Do not wear contact lenses in work areas.

**Skin Protection:** Cotton or leather work gloves should be worn when cutting this product to minimize skin exposure to dust and/or cuts. Wash hands prior to eating, drinking, or smoking, and at the end of the work shift, after cutting operations are conducted.

**NOTE:** Personal protection information in Section 8 is based on general information for normal uses and conditions. Where special or unusual uses or conditions exist, it is suggested that the assistance of an industrial hygienist or other qualified professional be obtained.

## 9. PHYSICAL AND CHEMICAL PROPERTIES

Appearance:	Brittle solid; color may vary
Odor:	Odorless
Melting Point:	Not available (>1000 °F)
Boiling Point:	Not applicable
Vapor Pressure:	Not applicable
Vapor Density (Air=1):	Not applicable
Solubility in Water:	Insoluble
Specific Gravity (H <sub>2</sub> O =1):	1.6 to 2.1
Percent Volatile by Volume:	Not applicable
Evaporation Rate (Ethyl Ether =1):	Not applicable
Viscosity:	0 g/L Volatile Organic Compounds (VOCs)

To view a complete collection of Daltile® products and information, visit our website at [daltile.com](http://daltile.com).

© 2020 Daltile (2/20)



## 10. STABILITY AND REACTIVITY

Stability	Stable in current form.
Conditions to Avoid:	Avoid contact with acids (e.g., acetic, hydrofluoric, etc.)
Incompatibility (Materials to Avoid):	Avoid contact with acids (e.g., acetic, hydrofluoric, etc.)
Hazardous Polymerization:	Will not occur.
Hazardous Decomposition Products:	None.

## 11. TOXICOLOGICAL INFORMATION

### POTENTIAL HEALTH EFFECTS

**Primary Routes of Exposure:** None for intact tile. Inhalation and potential exposure to eyes, hands, or other body parts if contact is made with broken tile, and/or during procedures involving the cutting of products, and/or for operations involving the removal of installed products.

**Acute Effects:** No acute effects from exposure to intact tile are known. Working with broken or cut natural stone produces a potential for cuts to the hands and exposed body parts. Acute effects such as eye irritation may occur if associated with high dust operations such as dry cutting or during the removal of installed product. In very rare cases, symptoms of acute silicosis, a form of silicosis (a nodular pulmonary fibrosis) associated with exposure to respirable crystalline silica, may develop following acute exposure to extremely dusty environments caused by generation of tile dust. Signs such as labored breathing and early fatigue may indicate silicosis; however, these same symptoms can arise from many other causes.

**Chronic Effects:** No chronic effects are known for exposure to intact tile. Long-term, continual exposure to respirable crystalline silica at or above established permissible occupational exposure limits may lead to the development of silicosis, a nodular pulmonary fibrosis (NPF). NPFs are also associated with pulmonary tuberculosis, bronchitis, emphysema, and other airway diseases. This type of chronic exposure to silica dust may also result in the development of autoimmune disorders, chronic renal disease, and other adverse health effects. Recent epidemiologic studies demonstrate that workers exposed to elevated silica concentrations have a significant risk of developing chronic silicosis. Signs such as labored breathing and early fatigue may indicate silicosis; however, these same symptoms can also arise from many other causes.

**Potential Adverse Interactions:** Silicosis may be complicated by severe mycobacterial or fungal infections and result in tuberculosis (TB). Epidemiologic studies have established that silicosis is a risk factor for developing TB. Any existing respiratory or pulmonary diseases may be complicated by exposure to respirable crystalline silica. Smoking may increase the risk of adverse effects if done in conjunction with occupational exposure to silica dust at or above permissible exposure limits.

**Carcinogen Status:** Respirable crystalline silica is classified by the International Agency for Research on Cancer (IARC) as a Group 1 Carcinogen (carcinogenic to humans). The National Toxicology Program (9th Report) lists respirable crystalline silica as "Known to be a Human Carcinogen". USDOL/OSHA and NIOSH have recommended that crystalline silica be considered a potential occupational carcinogen.

**Overview of Animal Testing:** Short term experimental studies of rats have found that intratracheal instillation of quartz particles leads to the formation of discrete silicotic nodules in rats, mice and hamsters.

### ORAL (SILICA) LETHALITY

LD50 Rat oral >22,500 mg/kg
LD50 Mouse oral >15,000 mg/kg
LC50 Carp >10,000 mg/l (per 72 hr.)

## 12. ECOLOGICAL INFORMATION

No information available at this time.

## 13. DISPOSABLE CONSIDERATIONS

Waste should be disposed of in a landfill certified to accept such materials in accordance with federal, state, and local regulations.



#### 14. TRANSPORTATION INFORMATION

DOT Shipping Name: Not applicable  
Hazard Class: Non-regulated (for disposal purposes material is non-hazardous Class III regulated material)  
ID Number: Not applicable  
Marking: Not applicable  
Label: None  
Placard: None  
Hazardous Substance/RQ: Not applicable  
Shipping Description: Porcelain/Ceramic Tiles  
Packaging References: None

Not regulated for transportation under the IATA/ICAO, IMDG, EU ADR, or Canadian TDG Regulations.

#### 15. REGULATORY INFORMATION

This product and/or its components have been previously introduced into U.S. commerce and is listed in the Toxic Substances Control Act (TSCA) Inventory of Chemicals in Commerce. Hence, it is subject to all applicable provisions and restrictions under TSCA 40 CFR Section 721 and 723.250.

This tile contains <1 percent by weight each of the following elements, which are SARA 313 Recordable: Antimony, Arsenic, Barium, Beryllium, Cadmium, Cobalt, Chromium, Copper, Manganese, Mercury, Nickel, Lead, Silver, Thallium, Tin, Titanium, Vanadium, and Zinc.

Title 22 Division 2, California Code of Regulation Chapter 3 (Proposition 65): **⚠ WARNING** - This product can expose you to chemicals known to the State of California to cause cancer, including crystalline silica (airborne particles of respirable size) in dust created if the product is dry cut/ground/polished or pulverized during fabrication/installation/removal. For more information, go to [www.P65Warnings.ca.gov](http://www.P65Warnings.ca.gov)

This product or its components meets the following hazard definition(s) as defined by the Occupational Safety and Health Hazard Communication Standard (29 CFR Section 1910.1200):

<input type="checkbox"/> Combustible Liquid	<input type="checkbox"/> Flammable Aerosol	<input type="checkbox"/> Oxidizer
<input type="checkbox"/> Compressed Gas	<input type="checkbox"/> Explosive	<input type="checkbox"/> Pyrophoric
<input type="checkbox"/> Flammable Gas	<input checked="" type="checkbox"/> Health Hazard (Sections 3 & 11)	<input type="checkbox"/> Unstable
<input type="checkbox"/> Flammable Liquid	<input type="checkbox"/> Organic Peroxide	<input type="checkbox"/> Water Reactive
<input type="checkbox"/> Flammable Solid		

Based on information presently available, this product does not meet any of the hazard definitions of 29 CFR Section 1910.1200.

Note: The information in this data sheet provides information related to the potential hazards associated with dusts which may be produced during cutting or otherwise changing the shape of the product during installation and/or removal.

#### 16. ADDITIONAL INFORMATION

Global Harmonization Identification System  
GHIS: Health: 3 Fire: 4 Reactivity: 4  
Hazardous Material Identification System  
HMIS: Health: 0 Fire: 0 Reactivity: 0  
National Fire Protection Association  
NFPA: Health: 0 Fire: 0 Reactivity: 0  
SDS Preparation Date 8/29/18 Revised 09/24/19

