



Turning the Ordinary into the Extraordinary

www.PivotCorp.com



PVC10-SBUX-CAFE-SCF1

**Starbucks® Cart Series
Water Filtration Side Cart**

Version 2.0

Product Guide

January 1, 2023



Table of Contents

| | |
|---|----|
| Cart Overview | 5 |
| Cart Construction..... | 6 |
| UL Certification..... | 7 |
| Specifications | 8 |
| Front View..... | 8 |
| Rear View | 8 |
| Left View..... | 9 |
| Right View..... | 9 |
| Top View | 9 |
| Equipment Plan | 10 |
| Summary Guide for Equipment..... | 11 |
| Material Finishes | 12 |
| Powder Coat | 12 |
| Countertops..... | 12 |
| Cart Utilities | 13 |
| Electrical..... | 13 |
| Water Supply | 14 |
| Sanitary..... | 17 |
| Pre-Requisites & Site Preparation | 18 |
| Shipping..... | 19 |
| Installation | 20 |
| LIMITED WARRANTY..... | 21 |
| APPLICABLE WARRANTY PERIOD | 21 |
| TERMINATION OF WARRANTY | 21 |
| OBTAINING WARRANTY SERVICE | 21 |
| EXCLUSIONS | 22 |
| EXCLUSIVE REMEDY; CONSEQUENTIAL DAMAGES DISCLAIMER | 23 |
| NO AUTHORIZATION | 23 |
| WARRANTY DISCLAIMER | 23 |
| STATUTE OF LIMITATIONS | 24 |
| DISPUTE RESOLUTION AND LIMITATION OF LITIGATION | 24 |
| MISCELLANEOUS | 25 |
| APPENDIX A | 27 |



APPENDIX B 29

APPENDIX C..... 31

 Pentair RO System 33

 Pentair Triple Head..... 35

 Pentair Pre-Filter 37

APPENDIX D 39

APPENDIX E..... 41

 Powder Coat 43

 Daltile Quartz 47

PROPRIETARY AND CONFIDENTIAL INFORMATION. 2023 PIVOT LLC. All rights reserved. Other company and product names mentioned herein are property of their respective owners. The contents of this publication are subject to change without notification and are the property of and cannot be reproduced without the written permission of PIVOT LLC. The contents of this publication are not a commitment by PIVOT LLC to provide the products and services described.



Cart Overview

The PVC10-SBUX-CAFE-SCF1 Cart manufactured by PIVOT measures approximately 34 inches wide by 36 inches in length by 37 inches in height.



This PVC10-SBUX-CAFE-SCF1 provides a complete Config III water filtration system (Kiosk Version) which can be configured to support a Config I and is designed to be a Side Line Cart complimenting additional Carts to form the Starbucks® Pop Up Store or stand-alone to provide water filtration support for a Starbucks Store.

This Water Filtration Cart is packed with features.

- Complete Pentair Water Filtration System for Config I or Config III
- Quartz Countertop
- Premium powder coated metal construction
- UL Listed – US & Canada
- A Turnkey *plug 'n play* solution



Cart Construction

The PVC10-SBUX-CAFE-SCF1 Cart is manufactured with a base construction of Steel, Aluminum and Stainless Steel. This is in comparison to many other Carts that are constructed of wood, steel frame or plastic.

PIVOT's base construction provides an optimal platform for durability, functionality, portability and product life. These materials also provide this Cart with a CLASS A Flame Spread rating and is perfect for all environments.



Another huge advantage of the PIVOT Cart base construction is that **100%** of the **WASTE** when manufacturing this Cart is **100% RECYCLABLE**. After a long product life cycle, this Cart can also be refurbished and re-deployed to enjoy another complete life cycle, saving our natural resources and your hard-earned dollars. When it eventually comes time to retire, 100% of the structure of this Cart can be recycled to offer great sustainability of our natural resources.

All steel and aluminum components are powder coated satin black for beauty and ease of maintenance. This type of base construction provides the best platform for durability, long lasting functionality and cleanliness in the wet, harsh and high-volume environment of a Starbucks® store.

Daltile Quartz countertops provide lasting beauty and superior functionality.

All PIVOT Carts come with premium, non-marking, industrial wheels designed to easily support the weight of the Cart as well as provide many years of maintenance free service. These wheels are affixed onto PIVOT's base structure comprised of 11-gauge steel to provide uncompromising performance in high volume commercial environments.

These Carts come pre-installed with all Utilities and undercounter equipment from the factory for a turn-key store package.



UL Certification

The PVC10-SBUX-CAFE-SCF1 Cart is UL Listed in both the United States and Canada.



You can find our listing on the UL Directory under our file number KNNS.E475132 for the United States and KNNS7.E475132 for Canada, or by following these links (or copy and paste them into your favorite internet browser).

UNITED STATES

http://database.ul.com/cgi-bin/XYV/template/LISEXT/1FRAME/showpage.html?name=KNNS.E475132&ccnshorttitle=Custom-built+Food+Service+Equipment&objid=1084945455&cfgid=1073741824&version=versionless&parent_id=1073989156&sequence=1

CANADA

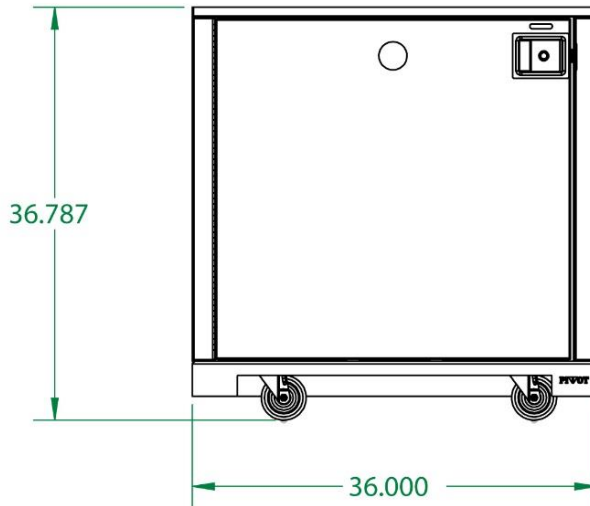
http://database.ul.com/cgi-bin/XYV/template/LISEXT/1FRAME/showpage.html?name=KNNS7.E475132&ccnshorttitle=Custom-built+Food+Service+Equipment+Certified+for+Canada&objid=1084945460&cfgid=1073741824&version=versionless&parent_id=1073989158&sequence=1



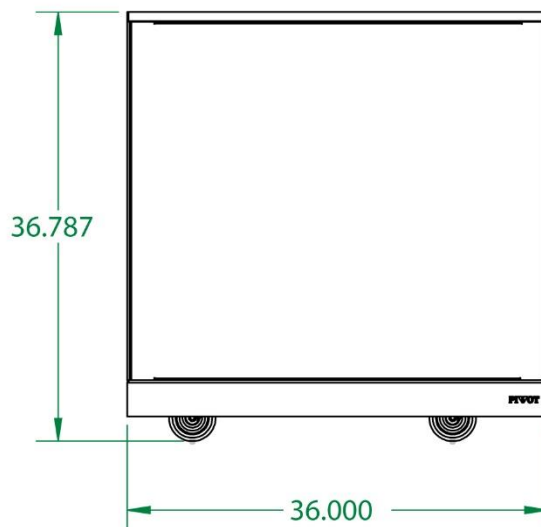
Specifications

The PVC10-SBUX-CAFE-SCF1 Cart measures approximately 34 inches wide by 36 inches in length by 37 inches in height. Exact dimensions are shown below.

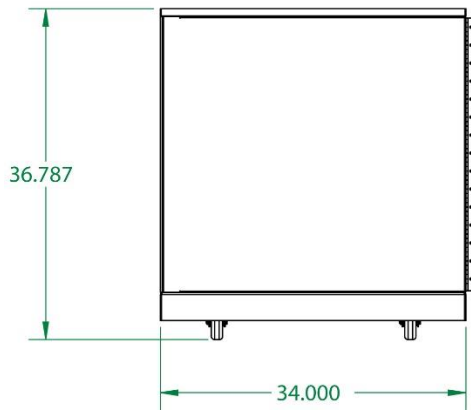
Front View



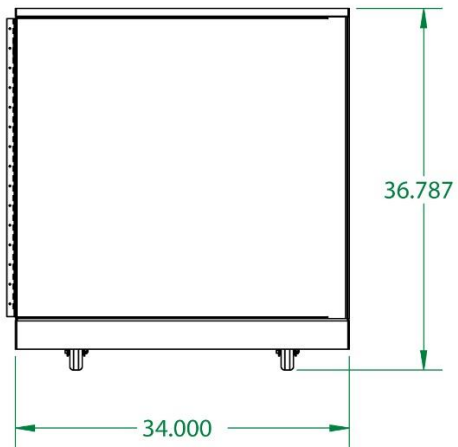
Rear View



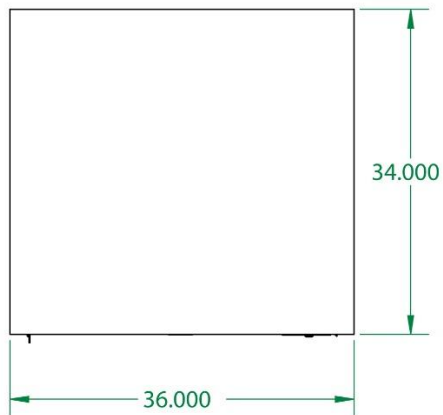
Left View



Right View



Top View



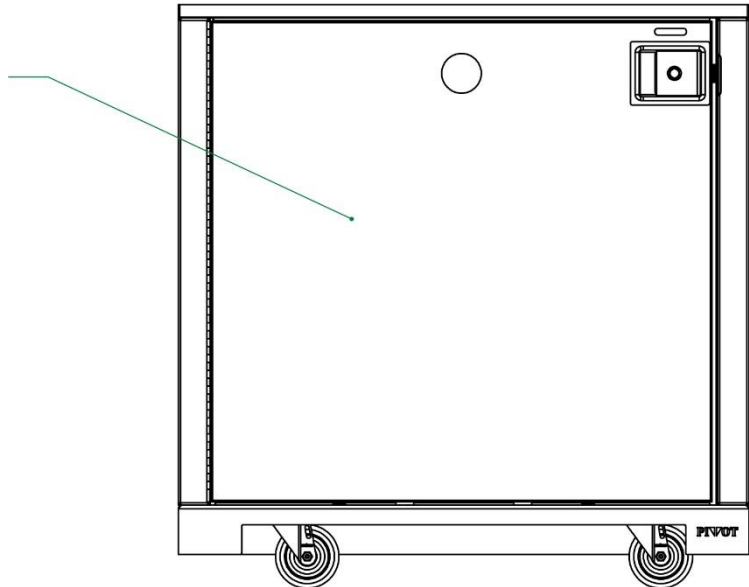
Equipment Plan

The PVC10-SBUX-CAFE-SCF1 Cart is complimented with the best commercial equipment as required by Starbucks®. This equipment includes:

- Pentair Water Filtration System Config III
 - Pentair Pre-Filter
 - Pentair Triple Head Filter
 - Pentair RO System

| EQUIPMENT PLAN | |
|----------------|--|
| ① | Water Filtration System - Pentair - CONFIG III |

① WATER FILTRATION SYSTEM



Please note that all built in equipment cutsheets are in Appendix A (Equipment Cutsheets), plumbing fixtures cutsheets are in Appendix C and equipment package cutsheets are in Appendix D (All Other Equipment Cutsheets).



Summary Guide for Equipment

Outlined below is a Summary Guide for all equipment for the PVC10-SBUX-CAFE-SCF1 Cart.

Please note the following:

- Included in Cart – This equipment comes included and installed in the PIVOT Cart.
- Included in Equipment Package – This equipment is required by the Starbucks® Cart and can be purchased in the Equipment Package through PIVOT.
- Starbucks® – This equipment must be purchased separately and is not included in either the Cart or the Equipment Package Price. This must be purchases and provided directly by Starbucks®.

| Equipment | Category | DID# | Included in Cart | Included in Equip. Pkg. | Starbucks® |
|--------------------------|-----------------|-------------|-------------------------|--------------------------------|-------------------|
| Pentair Water Filtration | Filtration | PIVOT | ✓ | | |

Note: ☼ Customer must order this directly from Starbucks®. Please note that any equipment or option not explicitly listed above is not included with the Cart or Equipment Package.



Material Finishes

The PVC10-SBUX-CAFE-SCB1 Cart incorporates the best material finishes in the industry to provide many years of beauty and performance. PIVOT Carts are well known for its low cost of maintenance and durability.

Powder Coat

PIVOT powder coats all metal surfaces to ensure a lasting and quality finish. Power coat is extremely durable, as well as washable, making it the perfect finish for high volume concession environments.

This Cart is powder coated with a high quality “Series 38-Super Durable” exterior grade satin finish. This powder coat is manufactured by Tiger Drylac.

Please find detailed Product Specifications in Appendix E (Material Finishes Documentation) of this Product Guide.

Countertops

This Cart comes standard with a Daltile Quartz countertop. This premium, solid surface countertop is beautiful and extremely durable.

The standard color for this Cart is Ash Grey (shown to the right).

Please find detailed Product Specifications in Appendix E (Material Finishes Documentation) of this Product Guide.



Cart Utilities

The PVC10-SBUX-CAFE-SCF1 Cart comes with utilities pre-installed at the factory. These utilities include: Electric, Water Supply and Sanitary.



Shown above is the interior of the Cart. This inside single compartment is considered a Utility Compartment.

Electrical

The electrical for this Cart simply consists of PIVOT's Power Management system. This system consists of a Power-In Module. Simply plug a conventional extension cord into PIVOT's Power-In Module (a 15-foot extension Cord is provided with the Cart) and the other side into a conventional 120V 15AMP convenience outlet to power this Cart up.

The PIVOT Power-In Module is bolted to the Cart's baseplate on the inside of the Cart behind a locking door. Simply run a properly sized extension cord up through the access hole in the baseplate and plug the female end of the extension cord into the male flange receptacle of this Module. An indicator light on this Module will light GREEN indicating that this Cart has power. Locking the door will prevent any unauthorized access to this Module.

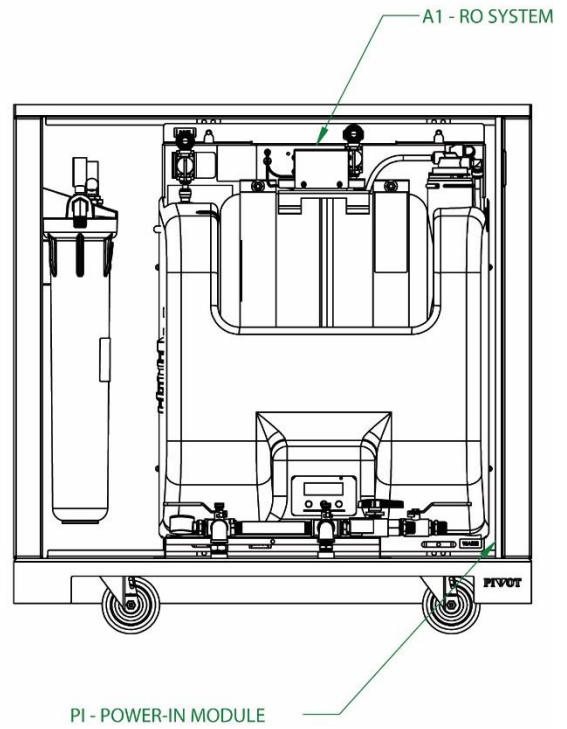


The only item that requires Electric in this Cart is the RO System. This RO is plugged directly into the back of the PIVOT Power-In Module.



Electrical Plan

| ELECTRICAL PLAN | |
|-----------------|------------------------------------|
| PI | PIVOT Power-In Module - 120V 15AMP |
| A1 | Pentair RO System |



Water Supply



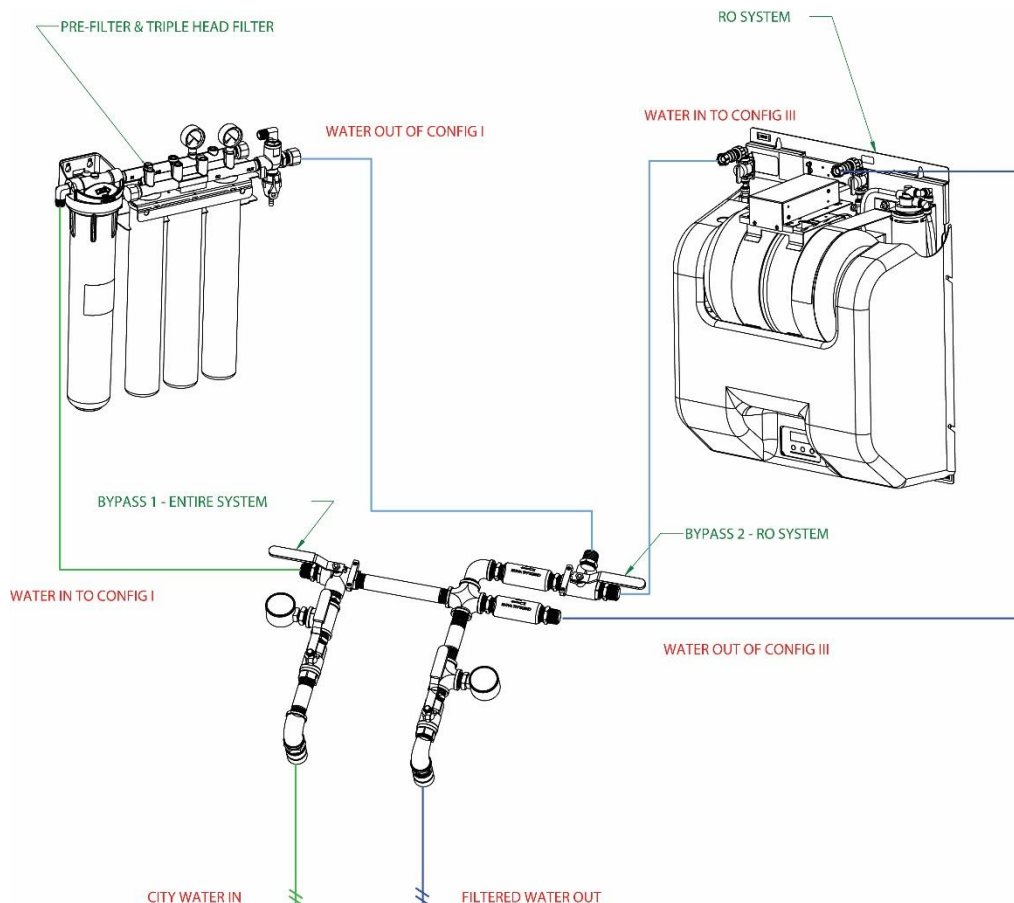
This Cart comes equipped with PIVOT's Water Manifold for water management and fresh water supply hoses (NSF Rated) as shown above. PIVOT recommends the installation of a hose bibb rated for potable water connected to "City Water" for site-preparation.



For installation, simply connect this hose bibb to the water inlet of this Water Manifold utilizing the fresh water supply hose to supply water to this Cart. The output of this Cart is filtered water in either a Config I or Config III configuration. A fresh water supply hose is connected to the output of this Water Manifold to supply filtered water to the Store. Shown above is an Optional Splitter that is used on the outlet to supply Water to multiple locations.

PIVOT's Water Manifold System has an integrated bypass system to bypass the Water Filtration system to hard water in case of maintenance or repair.

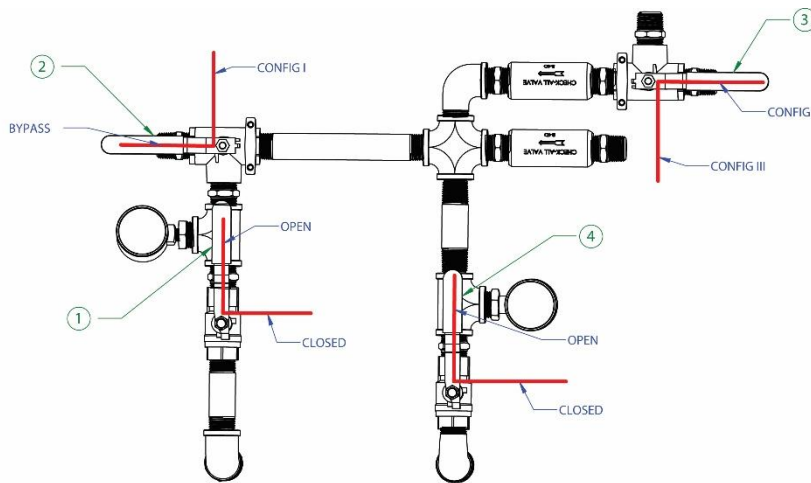
Plumbing Plan



This Cart can be configured to deliver water in 3 ways:

- **Full Bypass** – Bypass the Water Filtration entirely by configuring the valves in full bypass mode. Hard water supplied in with deliver hard water supplied out. This mode is ideal if you are maintaining your water filtration system but would still like to keep your Store open as a temporary solution.
- **Config I** – Configure your bypass system to a Config I if you do not require an RO System (i.e. Config III). Your Starbucks water test will determine if you need a Config I or a Config III water filtration system.
- **Config III** – Configure your bypass system to a Config III to utilize the full water filtration system of this Cart. As with the Config I above, your Starbucks water test will determine if you require a Config III water filtration system.

Please find the diagram below documenting each valve position for each of the modes above. Additionally, this Cart can be shut off entirely by closing the first valve.



| VALVE PLAN | |
|------------|--|
| ① | Cart Shut Off Valve - Open or Closed |
| ② | Selector Valve - Config 1 or ByPass |
| ③ | Selector Valve - Config 1 or Config 3 |
| ④ | Outlet Shut Off Valve - Open or Closed |

| VALVE OPERATIONAL PLAN | |
|------------------------|---|
| Shut Water Off In Cart | Turn Valve ① to CLOSED |
| Option B | Put Cart in ByPass Mode - Turn Valve ① to OPEN, Turn Valve ② to BYPASS, Turn Valve ⑤ to OPEN |
| Option C - Config 1 | Turn Valve ① to OPEN, Turn Valve ② to CONFIG 1, Turn Valve ③ to CONFIG 1, Turn Valve ⑤ to OPEN |
| Option C - Config 3 | Turn Valve ① to OPEN, Turn Valve ② to CONFIG 1, Turn Valve ③ to CONFIG 3, Turn Valve ⑤ to OPEN |
| Turn Off Output | To use this Cart and shut off the output water of the Cart - Use any configuration above and Turn ④ to CLOSED |

This Bypass Manifold is also equipped with 2 pressure gauges. The first gauge measures the input water pressure. Please note that the input water pressure must be between 40 – 60 PSI for the Cart and all of the equipment to operate correctly. Please install a pressure regulator or a pressure booster, if needed, upstream of this Cart to provide the optimal water pressure to the Store. Please note that pressure regulators or boosters are not provided by PIVOT.

Please refer to Appendix C for all product cutsheets pertaining to this Water Filtration System.



Sanitary



This Cart does require Sanitary if using the water filtration system in a Config III mode. The RO system exhausts a small amount of water when in operation. PIVOT provides a ¼ inch John Guest coupler that must be used to connect the sanitary line to this Cart. PIVOT recommends a ¼ inch PEX line be attached to this John Guest (push fitting) fitting that can be run to your drain.

When utilizing PIVOT's Pop-Up Store, you can connect this PEX tubing to the plumbing in the Main Rear Cart for sanitary.



Pre-Requisites & Site Preparation

The pre-requisites and site preparation for the PVC10-SBUX-CAFE-SCF1 Cart are as follows.

- Electrical – 120V 15AMP Convenience Outlet
- Hard Water supply terminating with a Hose Bibb rated for potable water
- Sanitary to be provided by the Main Rear Cart of the Pop-Up Store or an available drain source



Shipping

PIVOT can provide shipping of the PVC10-SBUX-CAFE-SCF1 Cart to the store location.

There are multiple shipping options available:

- Common Freight/FTL - Dock to Dock
- Common Freight/FTL - Installer Offload
- PIVOT Trailer Delivery

Please contact PIVOT for more information.



Installation

The PVC10-SBUX-CAFE-SCF1 Cart comes in fully assembled with no installation required.



LIMITED WARRANTY

PIVOT LLC (“PIVOT”) warrants to the original purchaser (“Purchaser”) that it will repair or replace components of the Products (as defined in the Master Product Sales Agreement) manufactured by PIVOT (except for components not warranted under “Exclusions”) that are defective in material or workmanship under normal interior use and service (“Defects”). PIVOT’s obligation under this warranty is limited to the repair or replacement, at PIVOT’s option, of the applicable components. This limited warranty shall only apply to Defects that are reported to PIVOT within the applicable warranty period and which, upon examination by PIVOT, prove to be defective. This warranty extends only to the first purchaser of a product, and is not transferable or assignable.

APPLICABLE WARRANTY PERIOD

The applicable warranty period, measured from the date of delivery to the original purchaser, shall be as follows:

- a) Two (2) years for all PIVOT Products and components (except for the products and components listed in (b), (c) and (d), and except for components not warranted under “Exclusions”), including baseplate structures, chassis structures, doors, locks, wheels and level glides.
- b) One (1) year for all LED components including LED Drivers, Strip Lights, Fixtures and Modules.
- c) One (1) year for all signage.
- d) One (1) year for all veneers.

In PIVOT’s reasonable discretion, PIVOT shall make the determination of how to correct any Defect covered by this Limited Warranty. If PIVOT opts to replace an item, replacement components will be substantially comparable to the items replaced, subject to availability (identical colors and other features may not be available.) If PIVOT elects to repair the defective item, PIVOT will correct the Defect in such a manner as to restore the item to substantially the same conditions, which would have existed had the Defect not been present. PIVOT shall have no liability for work performed by Purchaser or Purchaser’s agents or for the cost thereof. No action to correct any Defect shall extend the duration of this Limited Warranty.

TERMINATION OF WARRANTY

The limited warranty shall immediately terminate if the Product is removed from the original installation site.

OBTAINING WARRANTY SERVICE

Warranty service must be obtained through either PIVOT or an authorized dealer in the PIVOT product line for which warranty service is requested. PIVOT may be



contacted for warranty service inquiries or issues via email at warranty@pivotcorp.com, through the PIVOT website at www.pivotcorp.com, by phone at (404) 671-9326, by facsimile at (404) 671-9325, or by mail to PIVOT, ATT: WARRANTY DEPT, 851 Hickory Flat Hwy, Canton, Georgia 30115.

It is the purchaser's obligation to arrange for delivery of a Product to PIVOT or one of its authorized dealers for warranty service, which delivery shall be at purchaser's expense. It is also the purchaser's obligation to comply with the warranty service instructions provided either by PIVOT or its authorized dealer. If the Product was purchased from an authorized dealer and not directly from PIVOT, the purchaser must provide PIVOT with completed warranty registration information within thirty (30) days after purchase in order to obtain the benefits of this warranty.

EXCLUSIONS

This Limited Warranty does not cover third party equipment, sinks, faucets, and plumbing accessories. Any warranties on these items are extended directly by the manufacturer of these items to the original purchaser. Information on these manufacturers' warranties will be enclosed with the applicable products. Also, PIVOT will furnish copies of any of the warranties extended by any such manufacturers upon request.

This Limited Warranty does not cover and PIVOT shall not be liable for:

- 1) defects, damage, or other conditions caused, in whole or in part, by misuse, abuse, negligence, alteration, accident, freight damage, tampering, or failure to seek and obtain repair or replacement in a timely manner;
- 2) matching of color, grain, or texture except to commercially acceptable standards;
- 3) changes in color caused by natural or artificial light;
- 4) products which are not installed, used, and properly cleaned and maintained as required in the PIVOT "Installation" and/or "Installation/Operation" Manual for the applicable product;
- 5) products considered to be of a consumable nature, such as light bulbs and surge suppression products;
- 6) accessories or parts not manufactured by PIVOT;
- 7) charges by anyone (including PIVOT's authorized dealers) for adjustments, repairs, replacement parts, installation, or other work performed upon or in connection with such products which are not expressly authorized in writing in advance by PIVOT; and
- 8) costs and expenses of routine maintenance and cleaning; and
- 9) representations and warranties made by any person or entity other than PIVOT.
- 10) This Limited Warranty does not cover consumer products for the purpose of the Magnuson-Moss Warranty Act. 15 U.S.C. Sec. 2301 et seq. including without limitation, any refrigerator, freezer, range, oven, dishwasher, garbage disposal, exhaust fan, thermostat, equipment, doors, sinks, water heater, or



any of the appliances, equipment, fixtures, finishes, or similar items, except as may be required by any statutory warranty. All such items covered by a manufacturer's and supplier's warranties covering such consumer products are assigned to the Purchaser. PIVOT is not in any way, responsible or liable for the performance under any manufacturer's or supplier's warranties.

- 11) This Limited Warranty does not cover routine maintenance, normal wear and tear, or conditions resulting from unreasonable use, misuse, negligence, and/or failure to provide reasonable and necessary maintenance in a timely manner.
- 12) This Limited Warranty does not cover maintenance items, defects resulting from improper maintenance, failure to maintain, misuse, abuse or failure of PIVOT to follow operating or care instructions.
- 13) This Limited Warranty does not cover defects in workmanship or materials supplied during the construction phase by anyone other than the PIVOT, its agents, employees and subcontractors acting on behalf of PIVOT.
- 14) This Limited Warranty does not cover defects or damage resulting from fires, floods, storms, the elements, electrical malfunctions, power outages, accidents or acts of God.
- 15) Any damage as a result of shipping, loading, unloading, moving or installation.

EXCLUSIVE REMEDY; CONSEQUENTIAL DAMAGES DISCLAIMER

PIVOT'S ONLY OBLIGATION UNDER THIS LIMITED WARRANTY IS THE REPAIR OR REPLACEMENT OF DEFECTIVE PARTS. PIVOT SHALL NOT BE LIABLE FOR AND HEREBY DISCLAIMS ANY DIRECT, SPECIAL, INDIRECT, INCIDENTAL, EXEMPLARY, OR CONSEQUENTIAL DAMAGES OR DELAYS, INCLUDING, BUT NOT LIMITED TO, DAMAGES FOR LOSS OF PROFIT OR INCOME, LOSS OF USE, DOWNTIME, COVER, AND EMPLOYEE OR INDEPENDENT PIVOT WAGES, PAYMENTS, AND BENEFITS.

NO AUTHORIZATION

No person or firm is authorized to create or approve for PIVOT any other obligation or liability in connection with the products.

WARRANTY DISCLAIMER

THIS LIMITED WARRANTY IS PIVOT'S ONLY WARRANTY AND IS IN LIEU OF ALL OTHER WARRANTIES, EXPRESS OR IMPLIED. PIVOT MAKES NO IMPLIED WARRANTIES OF ANY KIND INCLUDING ANY IMPLIED WARRANTIES OF MERCHANTABILITY OR FITNESS FOR A PARTICULAR PURPOSE. THIS WARRANTY IS LIMITED TO THE REPAIR OR REPLACEMENT OF DEFECTIVE PARTS. ALL IMPLIED WARRANTIES ARE LIMITED IN DURATION TO THE PERIOD OF THIS LIMITED WARRANTY



STATUTE OF LIMITATIONS

No Claim (defined below) may be brought against PIVOT for breach of this limited warranty, an implied warranty, if any, or for any other claim arising out of or relating to the products, more than ninety (90) following expiration of the limited warranty period. In the event multiple warranty periods exist with respect to a product, the ninety (90) day period provided for herein shall begin to run from expiration of the warranty period for the component to which the claim relates.

DISPUTE RESOLUTION AND LIMITATION OF LITIGATION

a. Agreement to Avoid Litigation. PIVOT and Purchaser agree to encourage the amicable resolution of disputes involving PIVOT's performance under this Limited Warranty, without the emotional and financial costs of litigation. Accordingly, each party hereto agrees that their claims, grievances or disputes (hereinafter referred to as "Claims" or "Claim") shall be resolved using the procedures set forth below. Any party having a Claim ("Claimant") against the other party ("Respondent") (collectively, the "Parties") shall notify the Respondent in writing (the "Notice") stating plainly and concisely; (1) the nature of the Claim, including the Persons involved and Respondents role in the Claim; (2) the legal basis of the Claim (i.e., the specific authority out of which the Claim arises); (3) the Claimant's proposed remedy; and that the Claimant will meet with the Respondent to discuss in good faith ways to resolve the Claim.

b. Negotiations and Mediations. The Parties shall make every reasonable effort to meet in person and confer for the purpose of resolving the Claim by good faith negotiation. If the Parties do not resolve the Claim within 60 days of the date of the Notice (or within such other period as may be agreed upon by the Parties)(the "Termination of Negotiations"), Claimant shall have 30 additional days to submit the Claim to mediation to JAMS (www.jamsadr.com), who is an independent agency performing dispute resolution services in the metropolitan Atlanta area. The Parties shall divide the cost of the mediation, with each party paying half of the costs. If Claimant does not submit the Claim to mediation within 30 days after Termination of Negotiations, or does not appear for mediation, Claimant shall be deemed to have waived the Claim, and Respondent shall be released and discharged from any and all liability to Claimant on account of such Claim. Any settlement of the Claim through mediation shall be documented in writing by the mediator. If the Parties do not settle the Claim within 30 days after submission of the matter to the mediation process, or within such time as determined by the mediator, the mediator shall issue a notice of termination of the mediation proceedings (the "Termination of Mediation"). The Termination of Mediation notice shall set forth that the Parties are at an impasse and the date that the mediation was terminated.

c. Final and Binding Arbitration. Claimant shall have 15 days after the Termination of Mediation to submit the Claim to arbitration in accordance with O.C.G.A. §9-9-1. et. Seq., and the arbitration shall take place in metropolitan Atlanta, Georgia. Claimant will pay the cost of any filing fees for the arbitration. The arbitration shall be conducted by and in accordance with the rules and procedures promulgated by the Construction Arbitration Associates, Ltd. ("CAA"). In the event the CAA is unavailable



of unable to arbitrate the Claim, the Parties may agree to another professional arbitrator appointed in accordance with O.C.G.A. § 9-9-1 et. seq. If the Claim is not timely submitted to arbitration or if the Claimant fails to appear for the arbitration proceeding, the Claim will be deemed abandoned, and Respondent shall be released and discharged from any and all liability to Claimant arising out of such Claim. This subsection (c) is an agreement to arbitrate and is specifically enforceable under the applicable arbitration laws of the State of Georgia. The arbitration award (the "Award") shall be final and binding, and judgment may be entered upon it in any court of competent jurisdiction to the fullest extent permitted under the laws of the State of Georgia.

d. Cost. The Claimant shall pay any filing fees for the arbitration. Each party shall pay the fees and expense of its own counsel.

MISCELLANEOUS

a. This Limited Warranty is not renewable. Purchaser's rights and obligations under the Limited Warranty are personal and not transferable. This Limited Warranty may not be assigned or transferred upon resale or lease of the Property.

b. Purchaser's sole remedy under this Limited Warranty is the repair or replacement of any Defect. In no event, shall PIVOT's total liability hereunder exceed the purchase price of the PIVOT deliverables. The liability of Purchaser hereunder is expressly limited to the repair and replacement of the Defects. No responsibility is assumed for any secondary or consequential damage resulting from or arising out of any defect and nothing in this warranty shall render the Purchaser liable in any respect for any injury or damage to any persons or property by reason of any defects to the PIVOT's Property.

c. This Limited Warranty constitutes the entire agreement between Purchaser and PIVOT with respect to the subject matter hereof, and no representations, inducements, promises or agreements, oral or otherwise, not expressly set forth herein shall be of any force of effect. This Limited Warranty shall be governed by the laws of the State of Georgia.





APPENDIX A

Equipment Cutsheets





APPENDIX B

Utility Cutsheets






APPENDIX C

Plumbing Fixtures Cutsheets







MRS ENVI-RO™ 600 High Efficiency Reverse Osmosis System

High output/high efficiency configurable system that delivers reverse osmosis and blended filtered water for multiple foodservice applications.



MRS ENVI-RO™ - 600 System EV9970-38
 MR-600 Cartridge EV9627-13
 2SR-BW Cartridge EV9627-14
 GS-215RO-H In-Line Filter EV9627-15

BENEFITS

The tailored blending process removes just the right amount of dissolved solids from the incoming tap water to achieve the desired final water quality.

High recovery reverse osmosis technology yields significant savings in water and sewer charges with a minimal environmental footprint.

With the average recovery of 78%, the MRS ENVI-RO 600 system only disposes approximately 1/4 cup of water for each cup of coffee brewed.

Requires less than 50% of the electrical energy typically consumed by conventional reverse osmosis systems.

System operation is tailored to the water quality at each location to maximize recovery possible for a specified membrane lifetime.

Reduces limescale build-up that can cause excessive machine downtime and increased maintenance costs.

Reduces chlorine taste and odor and other contaminants that can adversely affect the taste of water and beverages.

INSTALLATION TIPS

Choose a mounting location suitable to support the full weight of the system when operating

Delimiting of equipment prior to application is recommended

Never use saddle valve for connection

Use 3/8" (min.) water line.

The water inlet must supply a minimum of 1.5 gpm

Install vertically with cartridge hanging down and allow 2 inches above and below unit for cover removal and service access.

Allow clearance to right of unit for optional pre-filter

Refer to Installation, Operation & Maintenance Manual for cartridge flushing and RO start-up

OPERATION TIPS

Change filter cartridges on a regular 6 month preventative maintenance program

Change RO cartridges on a regular 1 year preventative maintenance program

Change cartridges when capacity is reached

Always flush the filter cartridge at time of installation and cartridge change

APPLICATION/SIZING

Mineral Reduction System for foodservice applications including coffee brewers, espresso machines, steamers, combi ovens, and ice. Ideal for specialty coffee.

Provides up to 0.7 gpm water production.
 Capacity: 600 gallons per day (2,271 lpd)

On board storage tank provides ample reserve capacity for most applications. For increased reserve capacity, Everpure offers a complete line of storage tanks.



SPECIFICATIONS

Overall Dimensions:
32"H x 25"W x 13.6"D

Inlet and outlet connection:
3/8" OD tube connection

Wastewater line connection:
1/4" OD tube connection

Service Flow Rate:
Dependant on water pressure in storage tank and line size(s) to equipment

Pressure Requirements:

Operating:
25 - 80 psi (172-552 kPa), non-shock

Maximum Static:
100 psi (689 kPa), non-shock

Electrical connection required:
115 Volts AC, 60 Hertz, 1 Phase

Water Supply:
1.5 gpm (5.7l) min.

Inlet Temperature:
40°F - 100°F (4-38°C)

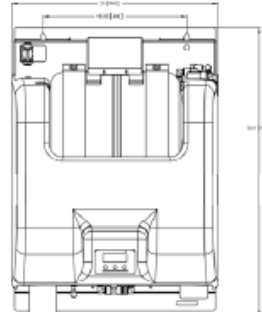
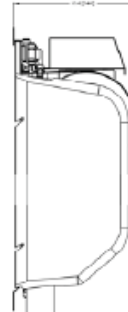
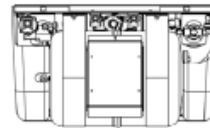
Inlet TDS:
1000 ppm max recommended

Shipping Weight:
85 lbs.

Operating Weight:
90 lbs. (not including external storage tanks)

The contaminants or other substances removed or reduced by this system are not necessarily in your water. Do not use with water that is microbiologically unsafe or of unknown quality without adequate disinfection before or after the system.

MRS ENVI-RO™ 600 High Efficiency Reverse Osmosis System



WARRANTY

MRS ENVI-RO™ 600 system (excluding replaceable elements) is covered by a limited warranty against defects in material and workmanship for a period of one year after the date of purchase.

Everpure replaceable elements (filter cartridges and water treatment cartridges) are covered by a limited warranty against defects in material and workmanship for a period of one year after date of purchase.

See printed warranty for details. Everpure will provide a copy of the warranty upon request.



Everpure offers a full line of water storage tanks. Contact your Everpure sales representative for more information.



EVERPURE, INC.
1040 Muirfield Drive
Hanover Park, Illinois 60133
Toll Free (800) 323-7873
Tel (630) 307-3000
Fax (630) 307-3030
<http://www.everpure.com>

In Europe:
EVERPURE EUROPE BV/BA.
INDUSTRIEPARK WOLFFSTEE
TOEKOMSTLAAN 30
B-2200 HERENTALS
BELGIUM
Tel. 32-14-283500
Fax 32-14-283505

In Japan:
EVERPURE JAPAN, INC.
HASHIMOTO MN BLDG. 7F
3-25-1 HASHIMOTO SAGAMI-KU-SHI
KANAGAWA 229-1103
JAPAN
Tel. 81-(0)42-775-3000
Fax 81-(0)42-775-3005



Pentair Triple Head

13079



Filter head exclusively for Everpure replacement cartridges



QC71 Triple Parallel Head:
EV9272-23

BENEFITS

- New redesigned commercial quality filter head for Everpure filter cartridges
- Triple filter head is parallel plumbed
- Build-in water shut off valve and flushing valve makes cartridge change outs easy
- A cartridge nesting feature provides a more secure and durable fit
- Includes mounting box bracket and screws for fast and easy installation. No extra mounting plate is required
- Build-in water pressure gauge helps monitor proper flow
- New modular design of box bracket allows for future retrofitting of add-on components without disassembly of system. Optional wing bracket kits available
- All wetted parts have passed NSF extraction tests
- Engineered for durability, strength and longevity. Will not corrode

INSTALLATION TIPS

- Mounts directly onto flat surface
- Install vertically so cartridge hangs down
- Allow 2-1/2" clearance below the cartridge for easy cartridge replacement
- Flush filter by running water through filter according to cartridge instructions

OPERATION TIPS

- Change cartridges on a regular 6 month preventative maintenance program
- Change cartridges when capacity is reached or when pressure decreases
- Always flush the filter cartridge at time of installation and cartridge change

APPLICATION/SIZING

- For foodservice applications
- Capacity, varies according to filter cartridge used



QC71 Triple Parallel Head

SPECIFICATIONS

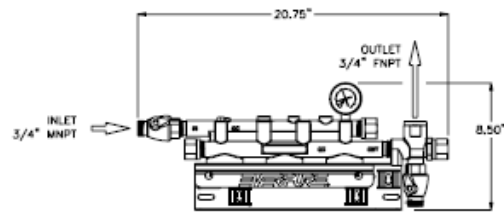
Overall Dimensions: 8.5"H x 20.75"W x 5.5"D

Inlet connection: 3/4"

Outlet connection: 3/4"

No electrical connection required

Shipping Weight: 2 lbs.



WARRANTY

Everpure water treatment systems (excluding replaceable elements) are covered by a limited warranty against defects in material and workmanship for a period of five years after date of purchase. Everpure replaceable elements (filter cartridges and water treatment cartridges) are covered by a limited warranty against defects in material and workmanship for a period of one year after date of purchase. See printed warranty for details. Everpure will provide a copy of the warranty upon request.

EVERPURE

EVERPURE, INC.
2375 Sanders Road
Northbrook, IL 60062
Toll Free (800) 323-7873
Tel (847) 205-6000
Fax (800) 942-0081
<http://www.everpure.com>

In Europe:
N.V. EVERPURE (EUROPE) S.A.
Geldenaaksebaan 478
B-3001 Heverlee
Belgium
Tel 32-16-401191
FAX 32-16-402691

In Japan:
EVERPURE JAPAN, INC.
1-8-19, Tsumada Kita,
1-Chome, Atsugi City
Kanagawa Ken 243-0812
Japan
Tel 81-462-23-6563
FAX 81-462-21-6775

Everpure, Inc.
2375 Sanders Road
Northbrook, IL 60062
Phone: 800-323-7873 Fax: 800-942-0081





Prefilter System for foodservice applications



E-20 Prefilter System: EV9795-90

EC210 Prefilter Cartridge: EV9534-26

BENEFITS

- Filters out larger dirt and rust particles
- Extends the life of primary filter cartridges
- Tightly spun EC210 sediment cartridge delivers 10 micron nominal filtration
- Durable slim bowl design makes cartridge change over easy to handle
- Clear housing lets you visually inspect trapped particles and makes determining when to change the cartridge easy
- 20" bowl design accepts most 10" drop in cartridges

| INSTALLATION TIPS | OPERATION TIPS | APPLICATION/SIZING |
|---|--|--|
| <p>Choose a mounting location suitable to support the full weight of the system when operating</p> <p>Make sure to properly lubricate O-ring prior to use</p> <p>Use 3/4" water line (Optional reducer bushings included)</p> <p>Install vertically with bowl hanging down</p> <p>Allow 2-1/2" clearance below the cartridge for easy cartridge replacement</p> | <p>Inspect EC210 cartridge periodically to determine dirt load</p> <p>Replace EC210 cartridge when dirt has penetrated through to the inner core of the cartridge</p> <p>Do not exceed service flow rate</p> <p>Inspect O-ring during each cartridge change. Lubricate and/or replace if necessary</p> | <p>For all foodservice applications requiring prefiltration</p> <p>High sediment areas</p> |



E-20 Prefilter System

SPECIFICATIONS

Overall Dimensions:
22.44"H x 5.16"W x 5.5"D

Inlet connection: 3/4"

Outlet connection: 3/4"

Service Flow Rate:
Maximum 6.0 gpm (22.7 Lpm)

Pressure Requirements:
10 - 125 psi (0.7 - 8.6 bar), non-shock

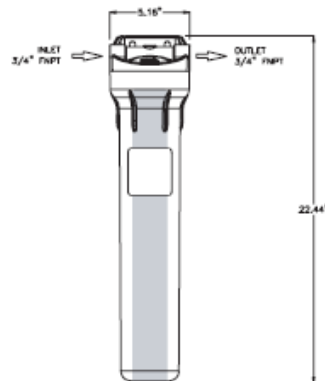
Temperature: 35 - 100°F (2 - 38°C)

No electrical connection required

Shipping Weight: 6 lbs.

Operating Weight: 8 lbs.

The contaminants or other substances removed or reduced by this drinking water system are not necessarily in your water. Do not use with water that is microbiologically unsafe or of unknown quality without adequate disinfection before or after the system. Systems certified for cyst reduction may be used with disinfected water that may contain filterable cysts.



WARRANTY

Everpure water treatment systems (excluding replaceable elements) are covered by a limited warranty against defects in material and workmanship for a period of five years after date of purchase. Everpure replaceable elements (filter cartridges and water treatment cartridges) are covered by a limited warranty against defects in material and workmanship for a period of one year after date of purchase. See printed warranty for details. Everpure will provide a copy of the warranty upon request.

EVERPURE

EVERPURE, INC.
2375 Sanders Road
Northbrook, IL 60062
Toll Free (800) 323-7873
Tel (847) 205-6000
Fax (800) 942-0081
<http://www.everpure.com>

In Europe:
N.V. EVERPURE (EUROPE) S.A.
Geldenaaksebaan 478
B-3001 Heverlee
Belgium
Tel 32-16-401191
FAX 32-16-402691

In Japan:
EVERPURE JAPAN, INC.
1-8-19, Tsumada Kita,
1-Chome, Atsugi City
Kanagawa Ken 243-0812
Japan
Tel 81-462-23-6563
FAX 81-462-21-6775

Everpure, Inc.
2375 Sanders Road
Northbrook, IL 60062
Phone: 800-323-7873 Fax: 800-942-0081



APPENDIX D

Other Equipment Cutsheets





APPENDIX E

Material Finishes Documentation





Product Data Sheet



TIGER Drylac U.S.A., Inc. | 3855 Swenson Avenue | St Charles, IL | T 800 243 8148 | F 877 926 8148 | office.us@tiger-coatings.us | www.tiger-coatings.us

SERIES 38 – SUPER DURABLE

Polyester TGIC super durable powder coating compliant to AAMA 2604 with excellent weather resistance properties for high performance architectural exterior applications.

Typical Applications

- Metal façades.
- Steel constructions.
- Stadium seating and railings.
- Residential windows and doors.
- Patio furniture and garden equipment.
- Railings.
- Playground equipment.
- Agriculture equipment.
- External ship components, communication towers, doors and railings.
- Military camouflage.

Standard Packaging 44 lb (20 kg) box.
5 lb (2.5 kg) minipack.

Specific Gravity (ASTM D792) approximately 1.2-1.8 g/cm³
depending on pigmentation.

Theoretical Coverage at 1.5 specific gravity and
2.5 mils (60 µm) film thickness:
30.2 ft²/lb (9.8 m²/kg).

Refer also to the latest edition
of "Theoretic Powder Coating
Coverage Chart".
Version 00-1001 (imperial).
Version 00-1000 (metric).

Storage Stability 6 months at no more than
77 °F (25 °C).

Features

- Excellent weather resistance.
- Excellent UV-light resistance.
- AAMA 2604* compliant.
- 5 years South Florida exposure.
- Very smooth flow.
- Good storage stability.
- Good yellowing stability.

* AAMA 2604-10 compliance dependent upon the color and/or effect.

Finish and Color

- Smooth flow glossy, approximately 80-95*.
- Smooth flow semi gloss, approximately 60±5*.
- Smooth flow matte, approximately 20±5*.

* Gloss level according to ASTM 523 at 60° angle.

Available as stock product in smooth glossy, semi gloss and matte in 70 colors. It can be custom matched in limited colors (minimum order quantity and color limitation applies).



Series 38 - Super Durable



TIGER Drylac U.S.A., Inc. | 3855 Swenson Avenue | St Charles, IL | T 800 243 8148 | F 877 926 8148 | office.us@tiger-coatings.us | www.tiger-coatings.us

Pretreatment (alternatives)

The following table reflects the common methods of pretreatment with regards to various substrates and applications. In selecting the proper type of pretreatment the suitability of the type of powder coating for a desired application according to the guidelines on page one of this Product Data Sheet should be observed.

| | Aluminum | Galvanized Steel | Steel |
|---------------------------|----------|------------------|---------------------|
| Degreasing | ○ | ○ | ○ |
| ¹⁾ Chromating | ○ | ○ | ○ |
| ²⁾ Anodizing | ○ | ○ | ○ |
| ²⁾ Chrome free | ○ | ○ | ○ |
| Iron Phosphating | | | ○ |
| Zinc Phosphating | | ○ | ○ |
| Blasting | | ○ | ○ |
| ⁴⁾ Sweeping | | ○ | ○ |
| | I E A | I E A S | I E S ⁴⁾ |

- Interior.
- Exterior.
- Architectural.
- Steel construction.

- 1) According to ASTM B 449.
- 2) According to GSB quality and test regulations.
- 3) Only for zinc coated parts >1.8 mils (>45 µm).
- 4) For a two-coat process/TIGER Shield®.

Processing

Corona

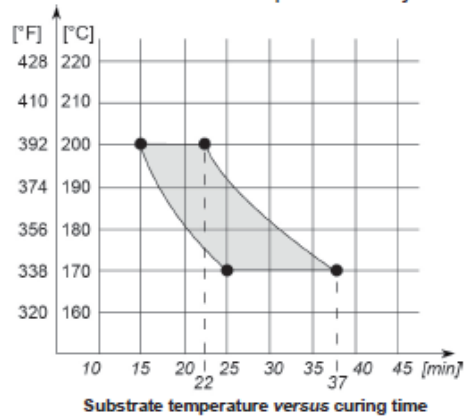
Tribo*

* For Tribo/Airstatic powder coatings please confirm before ordering. Suitability of metallic effects for Tribo processing must be verified prior to application. Please refer to the latest edition of the relevant Information Sheets.

Since not all powder coatings are suitable for recycling/reclaim, please verify before ordering.

Cure Parameters (substrate temperature)

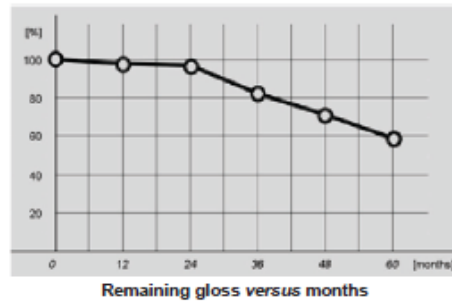
TIGER Drylac® Series 38
Cure Parameters | Smooth Glossy



To achieve a full cure and the desired mechanical properties and weatherability the time/temperature combination must fall within the cure window.

Weather Resistance

Florida exposure at 45° angle
Facing South - RAL 8014



The remaining gloss values that can be expected may vary depending on the original gloss level and color. A reasonable degree of gloss loss and color variation owing to long term UV exposure should be expected.



Series 38 - Super Durable



TIGER Drylac U.S.A., Inc. | 3855 Swenson Avenue | St Charles, IL | T 800 243 8148 | F 877 928 8148 | office.us@tiger-coatings.us | www.tiger-coatings.us

Please Note

Top coating with a clear exterior grade powder coating over an interior grade powder coating does not result into a weather resistant coating system.

Post-bending properties of any part must be verified prior to application. Minor cracks in the coated surface may lead to corrosion.

Joint sealants and any other auxiliary products, such as glazing aids, gliding waxes, drilling and cutting lubricants, which come in contact with the coated surface must be pH-neutral and free of substances that may damage the finish. Therefore, a suitability test at the applicator's end, prior to coating, is highly recommended.

In general, colors in the red, orange and yellow range may require an increased film thickness to achieve full hiding.

Any post-mechanical processing of already coated parts, such as sawing, drilling, milling, cutting and bending will result in damage of the coated surface and will subsequently weaken the corrosion protection.

Please read and understand the Material Safety Data Sheet (MSDS) before use.

Test Results

Results are checked on 1/64 inch (0.7 mm) thick yellow chromated aluminum test panel. Cure conditions are according to the cure curves. When used as a two-coat system, the increase in film thickness will result in a decrease of mechanical properties.

| Test results | Test method | Series 38 Smooth Glossy |
|---|------------------------|---|
| Film thickness | ISO 2360 | 2.5-3.5 mils (60-90 µm) |
| Gloss - 60° | ASTM D523 | 80-95+ |
| Cross hatch adhesion test | ASTM D3359 Method B | 5B |
| Mandrel bending test | ASTM D522 | 1/8 inches (3 mm). |
| Impact test | ASTM D2794 | Up to 80 in/lb. Cracking at the perimeter of the concave area but no cracking pick off. |
| Pencil hardness | ASTM D3363 | 2H minimum. |
| Weathering | EN 20105 - A02 | ≥4 |
| Light fastness | EC ISO 105 - B02 | ≥Grade7 |
| Humidity resistance 3,000 hours | ASTM D2247 | Maximum undercutting 1/32 inches (1 mm). |
| Acid salt spray resistance 2,000 hours | ASTM G85 Annex A5 | Maximum undercutting 1/32 inches (1 mm). |
| 5 years Florida exposure | | |
| Color change | ASTM D2244 | ≤Δε 5.0 (Hunter). |
| Gloss retention | ASTM D523 | >80% |

Cleaning recommendations: Refer to the latest edition of TIGER "Cleaning Recommendations" information sheet, Version 00-1005.



Series 38 - Super Durable



TIGER Drylac U.S.A., Inc. | 3855 Swenson Avenue | St. Charles, IL | T 800 243 8148 | F 877 926 8148 | office.us@tiger-coatings.us | www.tiger-coatings.us

Special Applications

Objects directly exposed to salt/fog conditions in a marine environment or need heavy corrosion protection must be coated with TIGER Shield® system. Refer to the latest editions of TIGER Drylac® Product Data Sheets.

Chemical Resistance

The required chemical resistance of a powder coating depends, among other things, on its formulation. Chemical resistance requirements must be considered according to processing conditions and final use of the finished product. This is best established during the product specification process. Agreement between all parties involved must be reached about the requirements for such chemical resistance as well as the test method, which may be performed in accordance with PCI test method #8 "Solvent Cure Test". Furthermore, the test duration and concentration of the test media need to be agreed upon.

As part of TIGER Drylac® product information program, Product Data Sheets are updated periodically. It is recommended to always check for the latest editions on TIGER's website. TIGER's verbal and written recommendations for the use of its products are based upon experience and in accordance with current technological standards. These are given in order to support the buyer or user. They are non-committal and do not create any additional commitments to the purchase agreement. They do not release the buyer from verifying the suitability of TIGER products for the intended application. This Product Data Sheet supersedes all previous Product Data Sheet versions and notes published in relation to this product.

Certified according to
ISO 9001 | 14001

TIGER Drylac U.S.A., Inc.
3855 Swenson Avenue
St Charles, IL 60174, USA
T 800 243 8148
F 877 926 8148
E office.us@tiger-coatings.us
W www.tiger-coatings.us







CONCRETE LOOK



CONCRETE LOOK



LINCOLN WHITE NQ50



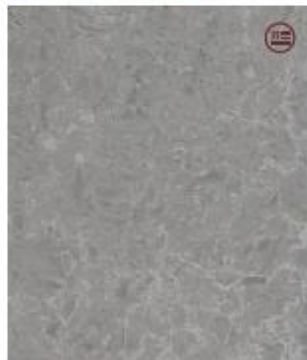
HERITAGE GREIGE OQ50



ASH GREY NQ60*



CABRINI GREY NQ51



ARMOR GREY OQ58



MERCER GREY NQ52



LUDLOW TAN NQ55



COLUMBUS BROWN NQ56



CONCRETE GREY NQ87

 Made in U.S.A. with imported material.

*Material also stocked in Honed finish



PRODUCT INFORMATION

| Finishes | Actual Size | Thickness |
|----------|---|-----------------------------|
| Polished | DOMESTIC COLORS 135-7/8" x 78-5/4" (345 cm x 200 cm) | 1-1/4" (3 cm) & 3/4" (2 cm) |
| | IMPORTED COLORS Please reach out to local stone center for size details on all sourced products. Slab sizes vary. | |

Custom slab finishes in semi-polished, honed and leather are available by special order. Not all colors available in alternative finishes. Please contact your local slab center for availability.

INSTALLATION

Shade Variation



Medium (V2)

NOTES

ONE Quartz Surfaces products are nonporous, reducing the potential for bacteria growth, resist common food stains and are stronger than natural granite.
 ONE Quartz Surfaces products are virtually maintenance free.
 ONE Quartz Surfaces products contain natural quartz stone providing consistent color and visual movement. A wide range of color options allow for more design freedom.
 ONE Quartz Surfaces products have a durable, scratch-resistant surface.
 ONE Quartz Surfaces products are heat and scorch-resistant under normal cooking conditions (use of a trivet is recommended for longer or extreme heat exposure).
 Visit daltile.com/countertops-product-category/one-quartz for additional polished, semi-polished, honed and leather finish details.
 Twenty-five year limited warranty.
 Visit daltile.com/countertops-product-category/one-quartz for details.
 Fifteen-year limited warranty on imported materials.
 Visit daltile.com/countertops-product-category/one-quartz for details.
 White thin-set or mortar is recommended for the lighter colors of ONE Quartz Surfaces tiles.
WARNING: This product can expose you to chemicals known to the State of California to cause cancer, including crystalline Silica (airborne particles of respirable size) in dust created if the product is dry cut/ground/polished or pulverized during fabrication/ installation/removal. For more information, go to www.P65Warnings.ca.gov.
 For information refer to "Factors to Consider" at daltile.com/Factors.

APPLICATIONS

| | Target DCOF ^{wet} | Suitable |
|--|----------------------------|----------|
| Dry & Level – Interior Floor | N/A | |
| Wet & Level – Interior Floor | ≥ 0.42 | |
| Shower Floors (Residential or Light Commercial) | ≥ 0.42 | |
| Exterior Floor Applications (Including pool decking & other wet areas with minimal footwear) | ≥ 0.60 | |
| Ramps & Inclines | ≥ 0.65 | |
| Walls/Backsplashes | N/A | ✓ |
| Countertops | N/A | ✓ |
| Pool Linings | N/A | |

ONE Quartz Surfaces do not meet minimum coefficient of friction thresholds recommended by safety standard-setting organizations. Water, oil, grease, etc., create slippery conditions. Floor applications with exposure to these conditions require extra caution in product selection.

APPLICATION NOTES

Quartz not suitable for exterior applications due to small resin content. The sun will etch the material.

SLAB PERFORMANCE CHARACTERISTICS

| | Test Method | Average Result* |
|------------------------------------|-------------|---|
| Abrasion Wear Index | ASTM C501 | ≥ 135 |
| Bulk Specific Gravity | ASTM C97 | ≤ 2500 kg / cubic meter |
| Chemical Resistance | ASTM C650 | Resistant to typical household cleaners |
| Coefficient of Thermal Expansion | ASTM C531 | ≤ 4.0 • 10 ⁻⁴ °C ⁻¹ |
| Flexural Strength | ASTM C880 | ≥ 35 MPa |
| Water Absorption | ASTM C97 | ≤ 0.10% |
| Scratch Resistance (Mohs Hardness) | ASTM C1895 | ≥ 5 |
| Stain Resistance | ANSI Z124.6 | Pass |
| Thermal Shock Resistance | ASTM C484 | Pass – No Effect |

* Custom testing results by color are available upon request.



Fifteen Year Limited Warranty, visit daltile.com for complete warranty details.*

*Sourced SKUS



Twenty Five Year Commercial Limited Warranty, visit daltile.com for complete warranty details.



Lifetime Residential Limited Warranty, visit daltile.com for complete warranty details.*

*Made in the USA with imported material.



MADE IN THE USA WITH IMPORTED MATERIAL.



To See Approved Colors Made in the USA With Imported Material, Please Check The Below Link:
<https://info.daltile.com/Certified-Food-Listings.asp?Company=CD55>

7854 C.F. Hearn Freeway, Dallas, Texas 75217 | 1.800.933.TILE

To view the complete collection of Daltile® products and information, visit our website at daltile.com.



To See Approved Colors Made in the USA With Imported Material, Please Check The Below Link:
<https://spoil.daltile.com/track-app?product=1&tab=1&keywords=ONE+Quartz+Surface>



©2022 Daltile 7/22



SAFETY DATA SHEET PRODUCT SERIES: ONE QUARTZ™ COLLECTION

1. PRODUCT IDENTIFICATION

| | |
|--------------------|--|
| Common Name: | Slab |
| Synonyms: | Slab and Wares |
| Manufacturer Name: | Dal-Tile Corporation Headquarters Office 7834 C.F. Hawn Freeway, Dallas, TX 75217 |
| Address: | Environmental, Health and Safety Department Richard Ray - (214) 309-4295 |
| Recommended Use: | Building Material - Slab products manufactured by Dal-Tile Corporation are environmentally preferable building materials when compared to some other products. As defined by guidelines issued by the Environmental Protection Agency, the American Society for Testing & Materials, and the Federal Trade Commission, Slabs are one of the most environmentally friendly building materials you can buy today. Should you desire additional information, please direct your inquiry to the address above. |

This document has been prepared in accordance with the Occupational Safety and Health Administration (OSHA) Hazard Communication standard, 29 Code of Federal Regulations (CFR) 1910.1200(g), Safety Data Sheets.

2. HAZARDS IDENTIFICATION

Slab products are mixtures of silica, natural occurring minerals, and resin that have been mixed and cured at low temperature. Respiratory, hand and eye protection may be needed to prevent excess exposure to airborne particulates if dust is produced by cutting Slabs during installation or if dust is produced by any other operations, including fabrication, demolition/removal projects.

Emergency Overview: Danger! Lung Injury and Cancer Hazard
 GHS Classification (Global Harmonized Standard Classification):
 Carcinogenicity Category 1A (H350)
 Specific target organ toxicity, single exposure; Respiratory tract irritation - Category 3 (H335)
 Specific target organ toxicity, repeated exposure - Category 1A (H372)

GHS Label, Hazards and Precautionary Statements
 GHS Pictogram:

Crystalline Silica:  Category 3 (Respiratory tract irritation) (H335)

 Categories 1A(Carcinogenicity)(H372)

Label Signal Word: Danger

Hazard Statements:
 (H350) May cause CANCER (Inhalation)
 (H335) May cause respiratory irritation
 (H372) Causes damage to organs (lung/respiratory) through prolonged or repeated exposure (Inhalation)



2. HAZARDS IDENTIFICATION (CONT.)

Do not handle until all safety precautions have been read and understood. (P202)

Do not breathe dust/spray. (P260 + P261)

Wash skin thoroughly after handling. (P264)

Do not eat, drink or smoke when using this product. (P270)

Wear protective gloves, protective clothing, eye protection, face protection. (P280)

Precautionary Statements:

Do not handle/install until all safety precautions have been read and understood. (P202)

Do not breathe dust/spray. (P260 + P261)

Wash skin thoroughly after handling/installing. (P264)

Do not eat, drink or smoke when handling/installing this product. (P270)

Wear protective gloves, protective clothing, eye protection, face protection when handling/installing this product. (P280)

Potential Health Effects:

Inhalation: Do not breathe dust. See "Health Hazards" in Section 11 for more details.

3. COMPOSITION/INFORMATION ON INGREDIENTS

Slab products are made of silica, other naturally-occurring minerals, and resin that have been mixed and cured at low temperatures.

Slabs are manufactured in various shapes, sizes, and colors.

These products do not contain asbestos.

Under normal conditions these products do not release hazardous materials after installation and are not considered hazardous waste should disposal be necessary.

| Composition | CAS# / EINECS# | Estimated % by Wt. | EU Class |
|--------------------|------------------------------------|-----------------------|------------------------|
| Crystalline silica | CAS: 7631-86-9 / EINECS: 238-878-4 | 46-52 | (67/548/EEC) Xn R48/20 |

4. FIRST AID MEASURES

Eyes: Immediately flush eyes with large amounts of water for at least 15 minutes if dust gets in eyes. Get medical attention if irritation persists.

Skin: Wash thoroughly after working with slab dust.

Inhalation: Remove to fresh air if exposed to large amounts of Slab dust. Administer artificial respiration if breathing has stopped. Keep victim at rest. Call for prompt medical attention.

Ingestion: Not applicable for intact Slabs.

Have emergency eyewash station available in area where Slabs are cut.

5. COMPOSITION/INFORMATION ON INGREDIENTS

Flash Point (Method Used): Not applicable

Autoignition Temperature: Not applicable

Flammable Limits (% by Volume in Air): LEL - Not applicable
UEL - Not applicable

Fire Extinguishing Media: ABC Extinguisher

Special Fire Fighting Procedures: None required

Fire and Explosion Hazards: None

Flame Spread: Class 1

6. ACCIDENTAL RELEASE MEASURES

Avoid creating excessive slab dust. Clean up dust using a vacuum system with a High-efficiency particulate (HEPA) air filter vacuum or damp sweeping. See Section 8 of this SDS concerning PPE information for clean-up.



7. HANDLING AND STORAGE

Do Not Dry Cut using motorized equipment due to potential exposure to Harmful Silica Dust. Use wet cutting methods to reduce generation of dust. When cutting, grinding or removing, use equipment with integral dust collection and/or use local exhaust ventilation. Use respiratory protection in the absence of effective engineering controls.
Do not store near acids. If Slabs contact some acids, damage/discoloration to the surface may occur.
Shelf life is unlimited.

8. EXPOSURE CONTROLS / PERSONAL PROTECTION

8.1 EXPOSURE TABLE

| Composition | OSHA PEL | NIOSH IDLH | ACGIH TLV* | Units |
|-----------------------|----------|------------|------------|-------------------|
| Crystalline silica | | | | |
| - respirable fraction | 0.05 | 0.05 | 0.025 | mg/m ³ |
| - total dust** | 15 | N.E. | N.E. | mg/m ³ |

* 2017 Edition, respirable fraction to be determined as per Appendix D of ACGIH TLV.

** Covered as particles not otherwise regulated per OSHA and particles not otherwise classified per ACGIH.

N.D. - Not determined

N.E. - Not established

8.2 EXPOSURE CONTROLS/PERSONAL PROTECTION

Ventilation: Use adequate ventilation during installation and/or removal to keep exposure to dust below recommended exposure levels. Avoid inhalation of dust. The highest probability of silica exposure occurs during installation using dry cutting methods or during removal of installed tile. Do Not Dry Cut using motorized equipment due to potential exposure to Harmful Silica Dust. Use wet cutting methods to reduce generation of dust.

Respiratory Protection: Use of a properly fitted NIOSH/MSHA approved particulate respirator is recommended when cutting tiles for installation or during the removal of installed tile.

Eye Protection: Use dust-proof goggles or safety glasses with side shields. Contact lenses may absorb irritants. Do not wear contact lenses in work areas.

Skin Protection: Cotton or leather work gloves should be worn when cutting this product to minimize skin exposure to dust and/or cuts. Wash hands prior to eating, drinking, or smoking, and at the end of the work shift, after cutting operations are conducted.

NOTE: Personal protection information in Section 8 is based on general information for normal uses and conditions. Where special or unusual uses or conditions exist, it is suggested that the assistance of an industrial hygienist or other qualified professional be obtained.

9. PHYSICAL AND CHEMICAL PROPERTIES

| | |
|---|---|
| Appearance: | Brittle solid; color may vary |
| Odor: | Odorless |
| Melting Point: | Not available (>1000 °F) |
| Boiling Point: | Not applicable |
| Vapor Pressure: | Not applicable |
| Vapor Density (Air=1): | Not applicable |
| Solubility in Water: | Insoluble |
| Specific Gravity (H ₂ O =1): | 1.6 to 2.1 |
| Percent Volatile by Volume: | Not applicable |
| Evaporation Rate (Ethyl Ether =1): | Not applicable |
| Viscosity: | 0 g/L Volatile Organic Compounds (VOCs) |



10. STABILITY AND REACTIVITY

| | |
|---------------------------------------|---|
| Stability | Stable in current form. |
| Conditions to Avoid: | Avoid contact with acids (e.g., acetic, hydrofluoric, etc.) |
| Incompatibility (Materials to Avoid): | Avoid contact with acids (e.g., acetic, hydrofluoric, etc.) |
| Hazardous Polymerization: | Will not occur. |
| Hazardous Decomposition Products: | None. |

11. TOXICOLOGICAL INFORMATION

POTENTIAL HEALTH EFFECTS

Primary Routes of Exposure: None for intact tile. Inhalation and potential exposure to eyes, hands, or other body parts if contact is made with broken tile, and/or during procedures involving the cutting of products, and/or for operations involving the removal of installed products.

Acute Effects: No acute effects from exposure to intact tile are known. Working with broken or cut natural stone produces a potential for cuts to the hands and exposed body parts. Acute effects such as eye irritation may occur if associated with high dust operations such as dry cutting or during the removal of installed product. In very rare cases, symptoms of acute silicosis, a form of silicosis (a nodular pulmonary fibrosis) associated with exposure to respirable crystalline silica, may develop following acute exposure to extremely dusty environments caused by generation of tile dust. Signs such as labored breathing and early fatigue may indicate silicosis; however, these same symptoms can arise from many other causes.

Chronic Effects: No chronic effects are known for exposure to intact tile. Long-term, continual exposure to respirable crystalline silica at or above established permissible occupational exposure limits may lead to the development of silicosis, a nodular pulmonary fibrosis (NPF). NPFs are also associated with pulmonary tuberculosis, bronchitis, emphysema, and other airway diseases. This type of chronic exposure to silica dust may also result in the development of autoimmune disorders, chronic renal disease, and other adverse health effects. Recent epidemiologic studies demonstrate that workers exposed to elevated silica concentrations have a significant risk of developing chronic silicosis. Signs such as labored breathing and early fatigue may indicate silicosis; however, these same symptoms can also arise from many other causes.

Potential Adverse Interactions: Silicosis may be complicated by severe mycobacterial or fungal infections and result in tuberculosis (TB). Epidemiologic studies have established that silicosis is a risk factor for developing TB. Any existing respiratory or pulmonary diseases may be complicated by exposure to respirable crystalline silica. Smoking may increase the risk of adverse effects if done in conjunction with occupational exposure to silica dust at or above permissible exposure limits.

Carcinogen Status: Respirable crystalline silica is classified by the International Agency for Research on Cancer (IARC) as a Group I Carcinogen (carcinogenic to humans). The National Toxicology Program (9th Report) lists respirable crystalline silica as "Known to be a Human Carcinogen". USDOL/OSHA and NIOSH have recommended that crystalline silica be considered a potential occupational carcinogen.

Overview of Animal Testing: Short term experimental studies of rats have found that intratracheal instillation of quartz particles leads to the formation of discrete silicotic nodules in rats, mice and hamsters.

ORAL (SILICA) LETHALITY

| |
|-------------------------------------|
| LD50 Rat oral >22,500 mg/kg |
| LD50 Mouse oral >15,000 mg/kg |
| LC50 Carp >10,000 mg/l (per 72 hr.) |

12. ECOLOGICAL INFORMATION

No information available at this time.

13. DISPOSABLE CONSIDERATIONS

Waste should be disposed of in a landfill certified to accept such materials in accordance with federal, state, and local regulations.



14. TRANSPORTATION INFORMATION

DOT Shipping Name: Not applicable
Hazard Class: Non-regulated (for disposal purposes material is non-hazardous Class III regulated material)
ID Number: Not applicable
Marking: Not applicable
Label: None
Placard: None
Hazardous Substance/RQ: Not applicable
Shipping Description: Porcelain/Ceramic Tiles
Packaging References: None

Not regulated for transportation under the IATA/ICAO, IMDG, EU ADR, or Canadian TDG Regulations.

15. REGULATORY INFORMATION

This product and/or its components have been previously introduced into U.S. commerce and is listed in the Toxic Substances Control Act (TSCA) Inventory of Chemicals in Commerce. Hence, it is subject to all applicable provisions and restrictions under TSCA 40 CFR Section 721 and 723.250.

This tile contains <1 percent by weight each of the following elements, which are SARA 313 Recordable: Antimony, Arsenic, Barium, Beryllium, Cadmium, Cobalt, Chromium, Copper, Manganese, Mercury, Nickel, Lead, Silver, Thallium, Tin, Titanium, Vanadium, and Zinc.

Title 22 Division 2, California Code of Regulation Chapter 3 (Proposition 65): **⚠ WARNING** - This product can expose you to chemicals known to the State of California to cause cancer, including crystalline silica (airborne particles of respirable size) in dust created if the product is dry cut/ground/polished or pulverized during fabrication/installation/removal. For more information, go to www.P65Warnings.ca.gov

This product or its components meets the following hazard definition(s) as defined by the Occupational Safety and Health Hazard Communication Standard (29 CFR Section 1910.1200):

| | | |
|---|---|---|
| <input type="checkbox"/> Combustible Liquid | <input type="checkbox"/> Flammable Aerosol | <input type="checkbox"/> Oxidizer |
| <input type="checkbox"/> Compressed Gas | <input type="checkbox"/> Explosive | <input type="checkbox"/> Pyrophoric |
| <input type="checkbox"/> Flammable Gas | <input checked="" type="checkbox"/> Health Hazard (Sections 3 & 11) | <input type="checkbox"/> Unstable |
| <input type="checkbox"/> Flammable Liquid | <input type="checkbox"/> Organic Peroxide | <input type="checkbox"/> Water Reactive |
| <input type="checkbox"/> Flammable Solid | | |

Based on information presently available, this product does not meet any of the hazard definitions of 29 CFR Section 1910.1200.

Note: The information in this data sheet provides information related to the potential hazards associated with dusts which may be produced during cutting or otherwise changing the shape of the product during installation and/or removal.

16. ADDITIONAL INFORMATION

Global Harmonization Identification System
GHIS: Health: 3 Fire: 4 Reactivity: 4
Hazardous Material Identification System
HMIS: Health: 0 Fire: 0 Reactivity: 0
National Fire Protection Association
NFPA: Health: 0 Fire: 0 Reactivity: 0
SDS Preparation Date 8/29/18 Revised 09/24/19

